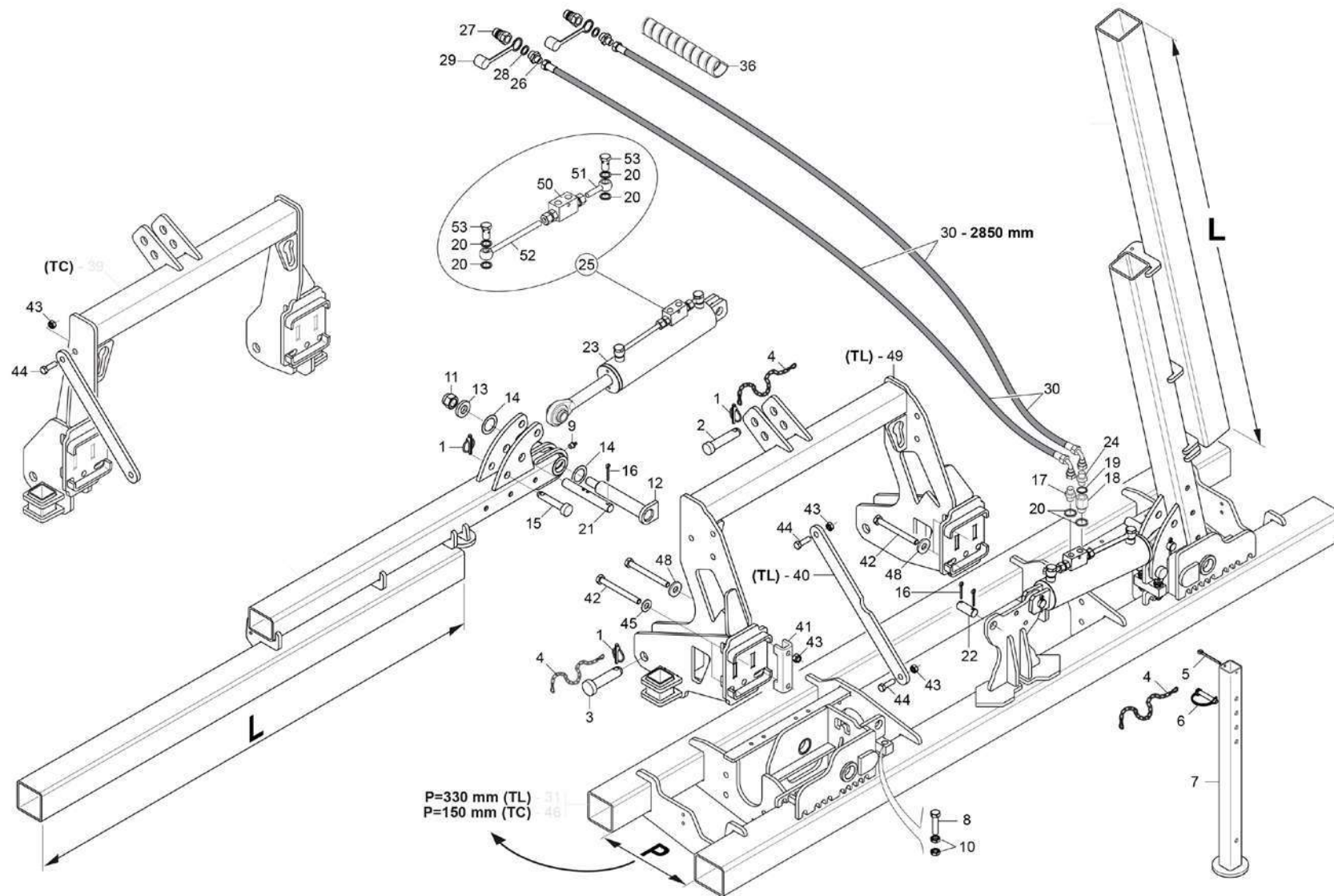


MASCAR

Spare parts catalogue

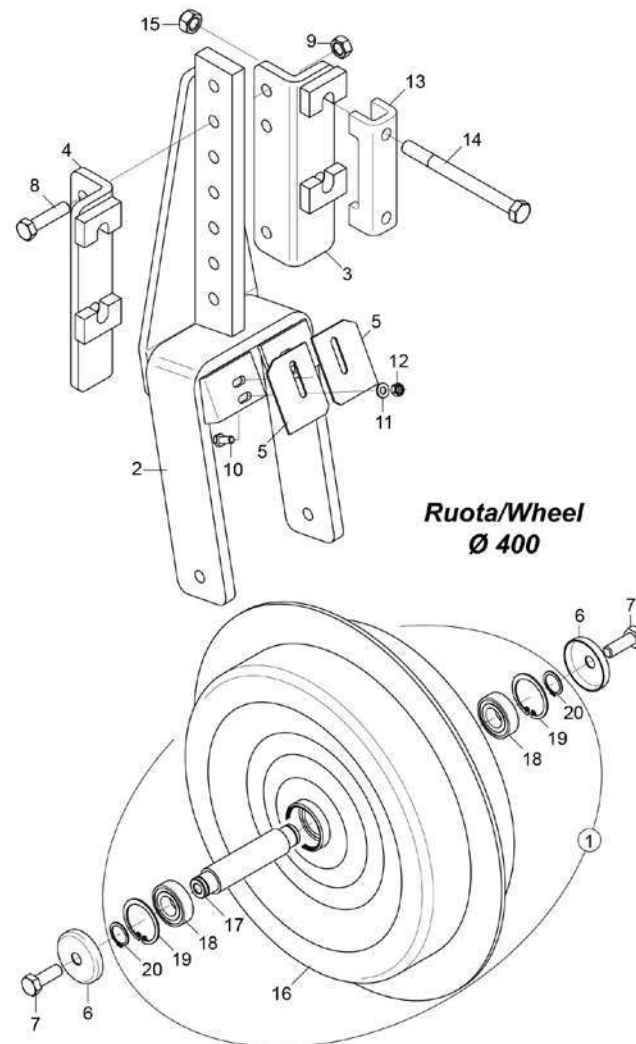


Cultivator
GALILEO 4 - 12 rows



S.N.

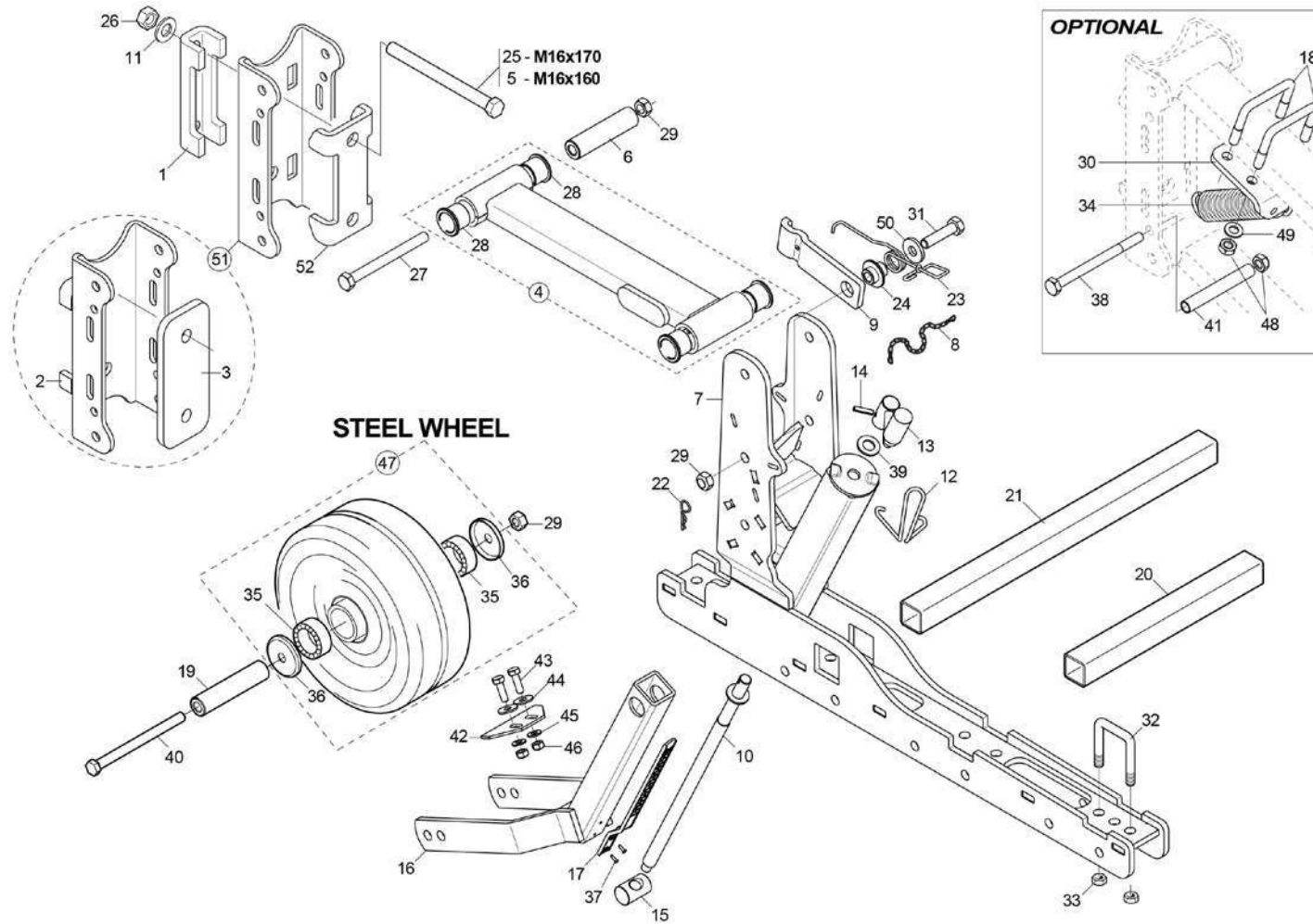
Pos.	Cod.	Descrizione	Description
1	F02200507	SPINA A SCATTO D 9 B/83	SNAP PIN D9 B/83 ZN
2	F20100132	PERNO D25 L 91 C43 TEST.D60 ZN	PIN D25 L91 C43 ZN
3	F20100135	PERNO D28 L 93 C43 TEST.D60 ZN	PIN D28 L93 C43 GALV.ED
4	G13812311	CATENELLA CON MOSCHETTONE ZN	CHAIN WITH SPRING CATCH
5	F02200247	COPIGLIA 6X 60 U1336 ZN	SPLIT PIN 6X 60 U1336 ZN
6	F02200584	SPINA SICUR. D. 12X70 ZN	PIN D12 L70 ZN
7	G13619620	ASS.PUNTELLO UNIFICATO	PROP STANDARD
8	F01020576	VITE M16X2X65 U5739 8.8ZN	SCR. M16X2X65 U5739 8.8ZN
9	F01100011	ING.M 6X1 7663-A 9SMNPB28 ZN	GREASE NIPPLE M6X1 7663-A ZN
10	F01200444	DADO M16X2 U5589 6SZN	NUT M16X2 U5589 6SZN
11	F01230143	DADO M24X2 D982 8ZN	NUT M24X2 D982 8ZN
12	G13619830	SPINA BRACCI ZN	ARMS PIN
13	G18701740	RONDELLA 25,25X50 X8	WASHER 25,25X50 X8
14	G18705260	RONDELLA 41 X65 X0,5	WASHER 41X65X0,5
15	F20100035	PERNO D19 L90 C43 TEST.D35 ZN	BOLT D19 L86 C43 ZN
16	F02200227	COPIGLIA 5X 30 U1336 ZN	PIN 5X 30 U1336 ZN
17	F03150310	NIPPLO MM CIL-CIL 3/8-1/4 ZN	NIPPLE CYL.MALE 3/8-1/4 ZN
18	F03150409	NIPPLO MF CIL-CIL 3/8-1/4 ZN	NIPPLE MF CIL-CIL 3/8-1/4 ZN
19	F03151414	RONDELLA BONDED SEAL 1/4" NBR	WASHER BONDED SEAL 1/4" NBR
20	F03151401	RONDELLA BONDED SEAL 3/8" NBR	WASHER BONDED SEAL 3/8" NBR
21	G13615492	PERNO 25 X185 ZN	PIN 25X185 GALV.ED
22	G13616180	SPINA 25 X 60 ZN	GALVANIZED PIN 25 X 60
23	G13616650	CILINDRO DE 32X90 -283 C.VALV.	CYLINDER DE 32X90 -283 C.VALV.
24	G16011700	NIPPLO MM 1/4-1/4 FORO 1,5	UPRIGHT 1/4" NIPPLE WITH GRUB
25	F03150589	KIT VALVOLA DI BLOCCO 3/8 DE	PIL. BLOCK VALVE VBPDE38EC
26	F03150211	NIPPLO MM CIL-CIL 1/2-1/4 ZN	NIPPLE MM CIL-CIL 1/4-1/2 ZN
27	F03150935	INNESTO RAP.MASCH.1/2 A VALV.	QUICK CONNECT MALE CONE 1/2
28	F03151370	RONDELLA BONDED SEAL 1/2" NBR	WASHER BONDED SEAL 1/2" NBR
29	F05150325	CAPPUC.F X INN.M RAP.1/2 ROSSO	COVER CONNECT F 1/2 RED
30	G15210554	TUBO 1/4R2 F1/4-CF1/4 2850	TUBE 1/4R2 F1/4-CF1/4 2850
36	F05150484	SPIRALE PROTETTIVA D.27-32	PROTECTIVE SPIRAL D.27-32
40	G13619770	TIRANTE 3 PUNTO UNIFICATO	3RD POINT TIE ROD
41	G13710561	SCONTRO A U SP.10 2F16,5 118	U-SHAPED PLAT.SP.10 2F16,5 118
42	F01020291	VITE M16X2X170 U5737 8.8BR	SCR. M16X 2X170 U5737 8.8 BR
43	F01230085	DADO M16X2 D982 10ZN	NUT M16X2 D982 8ZN
44	F01020287	VITE M16X2X50 U5737 10.9ZD	SCR. M16X2X50 U5737 10.9ZD
45	F01410100	ROS.M16 17X 30X 3 U6592 ZN	WASHER M16 17X30X3 U6592 ZN
48	G18700450	RONDELLA 17 X45 X6 ZN	WASHER 17X45X6 GALV.ED
49	G13619600	ASS.TERZO PUNTO UNIFICATO	ASS.3RD POINT
50	F03150499	VALVOLA DI BLOCCO	BLOCK VALVE
51	F03150823	ADATT. OCCHIO 3/8 L.40	EYE ADAPTER 3/8 L.40
52	F03150824	ADATT. OCCHIO 3/8 L.220	EYE UNION 3/8 L.200
53	F03151223	RACCORDO VITE CAVA 3/8" L=39MM	UNION BOLT 3/8



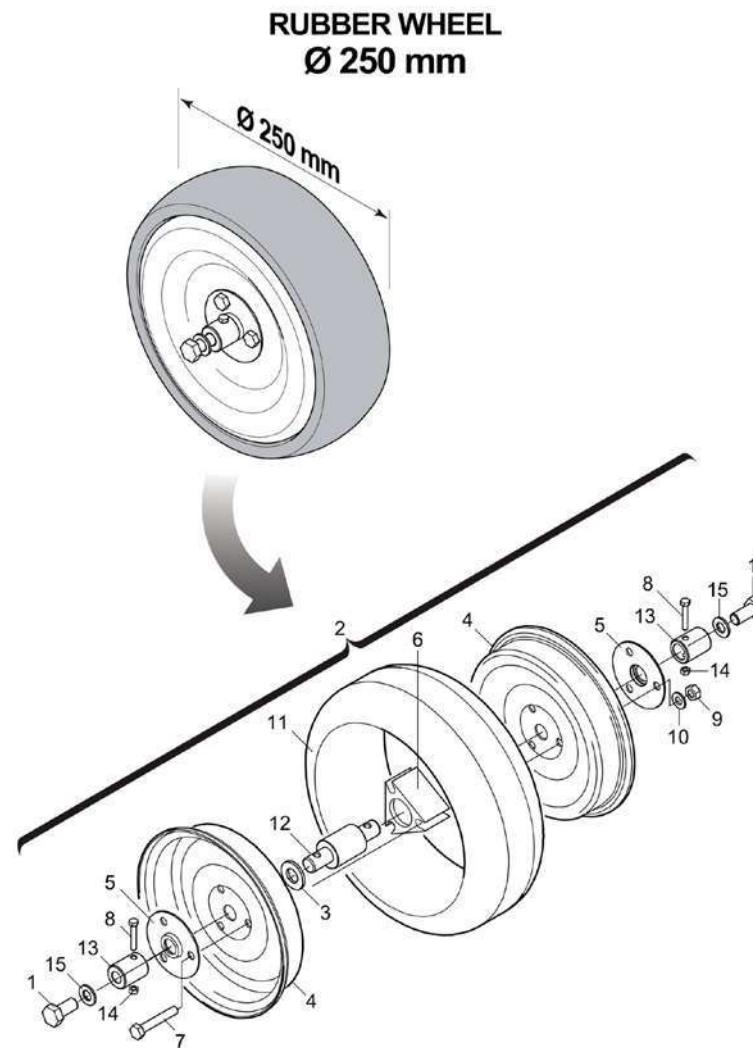
Ruota/Wheel
Ø 400

S.N.

Pos.	Cod.	Descrizione	Description
1	G13618910	RUOTA PORTANTE HS COMPL	COMPL.MAIN WHEEL HS
2	G13618680	SUPPORTO RUOTE PORTANTI HS	BEARING WHEELS SUPPORT HS
3	G13618700	ATTACCO RUOTE PORT.DX HS	HITCH WHEEL RIGHT HS
4	G13618720	ATTACCO RUOTE PORT.SX HS	HITCH WHEEL LEFT HS
5	G13615840	RASCHIATERRA RUOTE PORTANTI	SOIL SCRAPER BEARING WHEELS
6	G20970520	ROND.FOND.D.15 RUOTE P.RANGH.	SIDE DELIV. RAKE WHEEL D.15 BO
7	F01020198	VITE M14X2X45 U5737 8.8ZN	SCR. M14X2X45 U5737 8.8ZN
8	F01020203	VITE M14X2X60 U5737 8.8ZN	SCR. M14X2X60 U5737 8.8ZN
9	F01200306	DADO M14X2 U5588 6.8ZN	NUT M14X2 U5588 6.8ZN
10	F01020436	VITE M8X1,25X20 U5739 8.8ZN	SCR. M8X1,25X20 U5739 8.8ZN
11	F01410051	ROS.M8 8,4X 17X1,6 U6592 ZN	WASHER M8 8,4X17X1,6 U6592 ZN
12	F01200244	DADO M8X1,25 U5588 6.8ZN	NUT M8X1,25 U5588 6.8ZN
13	G13710561	SCONTRO A U SP.10 2F16,5 118	U-SHAPED PLAT.SP.10 2F16,5 118
14	F01020273	VITE M16X2X160 U5737 8.8BR	SCR. M16X2X160 U5737 8.8BR
15	F01230085	DADO M16X2 D982 10ZN	NUT M16X2 D982 8ZN
16	G13615750	RUOTA PORTANTE	MAIN WHEEL
17	G13618900	ASSE RUOTE PORTANTI	CARRYING WHEEL AXLE
18	F04010170	CUSC.D25 D52 B15 6205 2RS EX->	BEARING D25 D52 B15 6205 2RS
19	F02050381	ANELLO E. DI 52X 2 U7437 C70	SEEGER RING E. 52X 2 U7437 C70
20	F02050101	ANELLO E. DE 25X 1,2 U7435 C70	SEEGER RING E. 25X1,2 7435 C70

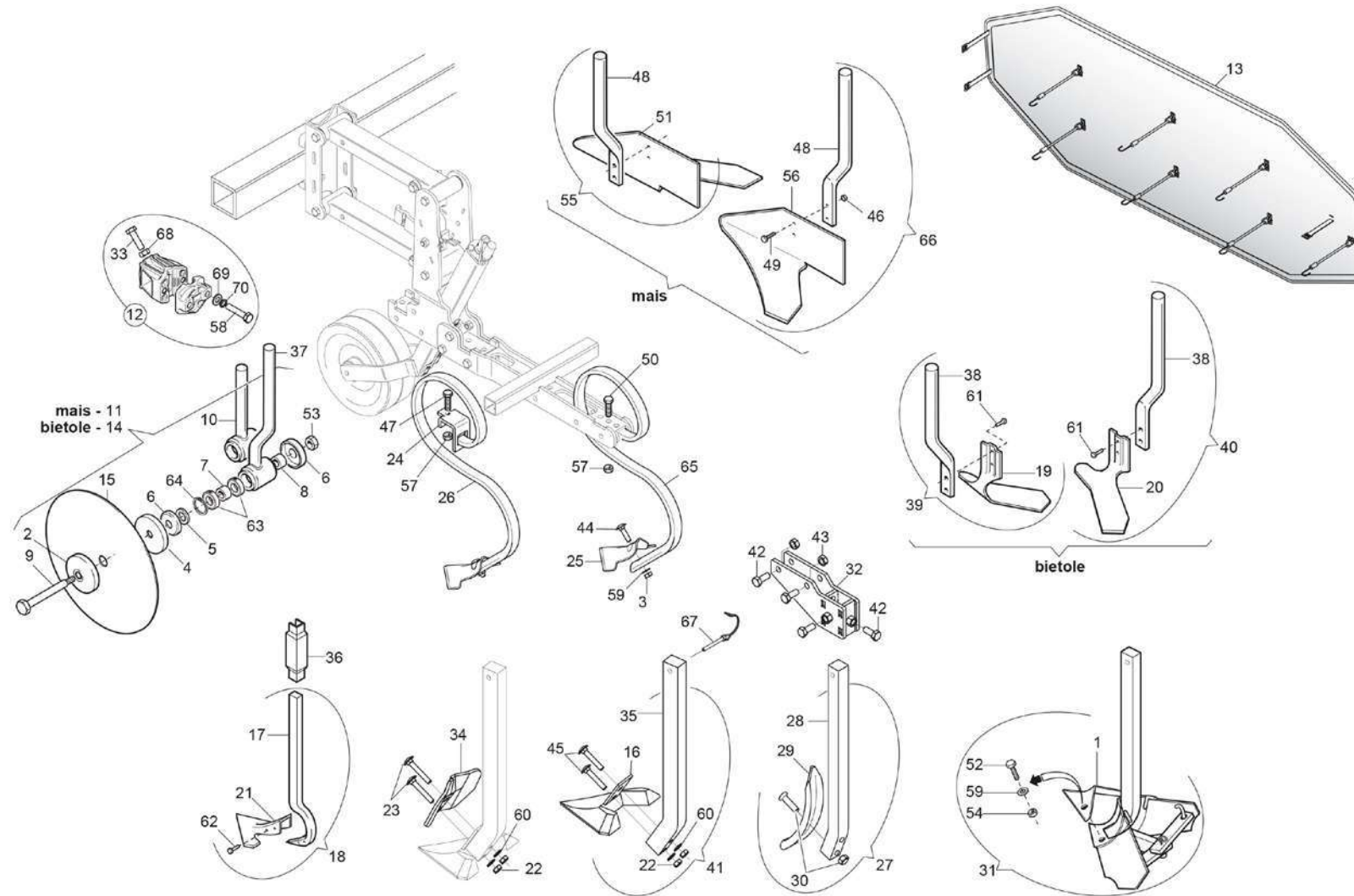
**S.N.**

Pos.	Cod.	Descrizione	Description
1	G13710561	SCONTRIO A U SP.10 2F16,5 118	U-SHAPED PLAT.SP.10 2F16,5 118
2	G13644211	PIASTRA DI ATTACCO	LINK PLATE
3	GA3640940	RINFORZO PIASTRA ATTACCO 2015	LINK PLATE REINFORCEMENT 2015
4	G13649040	PARALLELO UNIF.C/BOCCOLA	STAND.PARALLEL C/BUSHING
5	F01020273	VITE M16X2X160 U5737 8.8BR	SCR. M16X2X160 U5737 8.8BR
6	G13643630	BOCCOLA PARALLELO	PANEL BUSHING
7	G13644560	CORPO CENTRALE UNIF.	CENTRAL CASING
8	G13812311	CATENELLA CON MOSCHETTONE ZN	CHAIN WITH SPRING CATCH
9	G13644050	LEVA BLOCCO PARALLELO ZN.	LOCK PARALLEL LEVER
10	G23440194	VITE REGOLAZIONE HL/2	ADJUSTMENT BOLT HL/2.
11	F01410100	ROS.M16 17X 30X 3 U6592 ZN	WASHER M16 17X30X3 U6592 ZN
12	G65336100	MOLLA SPEC.FERMO MANIGLIA SP	SPEC SPRING HANDLE STOP SP
13	G22270235	MANIGLIA REGOLAZIONE B4	ADJUSTMENT HANDLE B4
14	F02100111	SPINA E.P. 6X 24 U6873 A2 IX	PIN EL. 6 X24 U6873 A2 IX
15	G23440193	BLOCCHETTO VITE REGOLAZ. HL/2	ADJUSTMENT BOLT BLOCK HL/2
16	G13643751	SUPPORTO RUOTA DOPPIO FORO	WHEEL SUPPORT 2HOLES
17	G19003400	ASTA INDICAZIONE PROFONDITA'	DEPTH INDICATING ROD
18	F20110741	CAV.Q.M10X 1,5X 25 71X 53 ZN	PERNO EN U M 10X71
19	G13641770	BOCCOLA 12,40X25 X112	BUSHING 12,4X25X112
20	G13640171	TUBO Q. 40X 4X 350	SQUARE PIPE 40X4X350
21	G13640161	TUBO Q. 40X 4X 580	SQUARE PIPE 40X4X580
22	F02200342	COPIGLIA R 2X 50 ZN	SPRING SPLIT PIN 2X50 GALV.
23	G18904430	MOLLA LEVA DI BLOCCO ZN	LEVER SPRING TO LOCK
24	G13644040	BOCCOLA FULCRO LEVA ZN	BUSHING LEVER COUPLING ZN
25	F01020291	VITE M16X2X170 U5737 8.8BR	SCR. M16X 2X170 U5737 8.8 BR
26	F01230085	DADO M16X2 D982 10ZN	NUT M16X2 D982 8ZN
27	F01020191	VITE M12X1,75X130 U5737 10.9ZD	SCR. M12X1,75X130 U5737 10.9ZD
28	G66349003	BOCCOLA SINT.	BUSHING- SINTERED
29	F01220048	DADO M12X1,75 D980 8ZN	NUT M12X1,75 D980 8ZN
30	G13644630	PIASTRA ATTACCO MOLLA ZN	SPRING COUPLING PLATE
31	F01020156	VITE M12X1,75X50 U5737 8.8ZN	SCR. M12X1,75X50 U5737 8.8ZN
32	F20110739	CAV.Q.B=35 M=12X1,75L=66	U BOLT Q.B=35 M=12X1,75 L=66
33	F01230059	DADO M12X1,75 D982 8ZN	LOCK-NUT M12X1,75 D982 8ZN
34	G65337040	MOLLA TRAZ.ELEMENTO MT600	TRACTION SPRING MT600
35	F04010134	CUSC.D25 D47 B12 6005 2Z	BEARING D25 D47 B12 6005 2Z
36	G67007092	CALOTTA PARAPOLVERE	CAP
37	F02250077	RIVETTO STR. 3 X14 U9200A AL	3X14 ALUMINIUM PULL RIVET
38	F01020138	VITE M10X1,5X130 U5737 8.8ZN	SCR. M10X1,5X130 U5737 8.8ZN
39	F01410088	ROS.M14 15X 28X2,5 U6592 ZN	WAS.M14 15X 28X2,5 U6592 ZB
40	F01020180	VITE M12X1,75X150 U5737 8.8BR	SCR. M12X1,75X150 U5737 8.8BR
41	G13644640	BOCCOLA 11 X14 X99,5 ZN	BUSHING 11X14X99,5
42	G13643760	RASCHIATERRA	SOIL SCRAPER
43	F01020440	VITE M8X1,25X25 U5739 8.8ZN	SCR. M8X1,25X25 U5739 8.8ZN
44	F01420048	ROS.M8 8,4X 24X 2 U6593 ZN	WASHER M8 8,4X 24X2 U6593 ZN
45	F01410051	ROS.M8 8,4X 17X1,6 U6592 ZN	WASHER M8 8,4X17X1,6 U6592 ZN
46	F01220022	DADO M8X1,25 D980 8ZN	NUT M8X1,25 D980 8ZN
47	G13643510	RUOTA DI PROF.250X100 CON CUS.	DEPTH WHEEL
48	F01220033	DADO M10X1,5 D980 8ZN	NUT M10X1,5 D980 8ZN
49	F01410064	ROS.M10 10,5X 20X 2 U6592 ZN	WASHER M10 10,5X20X2 U6592 ZN
50	G20970035	RONDELLA 32X4X13	WASHER 32X4X13
51	G13643791	PIASTRA DI ATTACCO UNIF.	COUPLING PLATE
52	G13644620	PIASTRA BLOCCO UNIF.	LOCK PLATE STANDARD



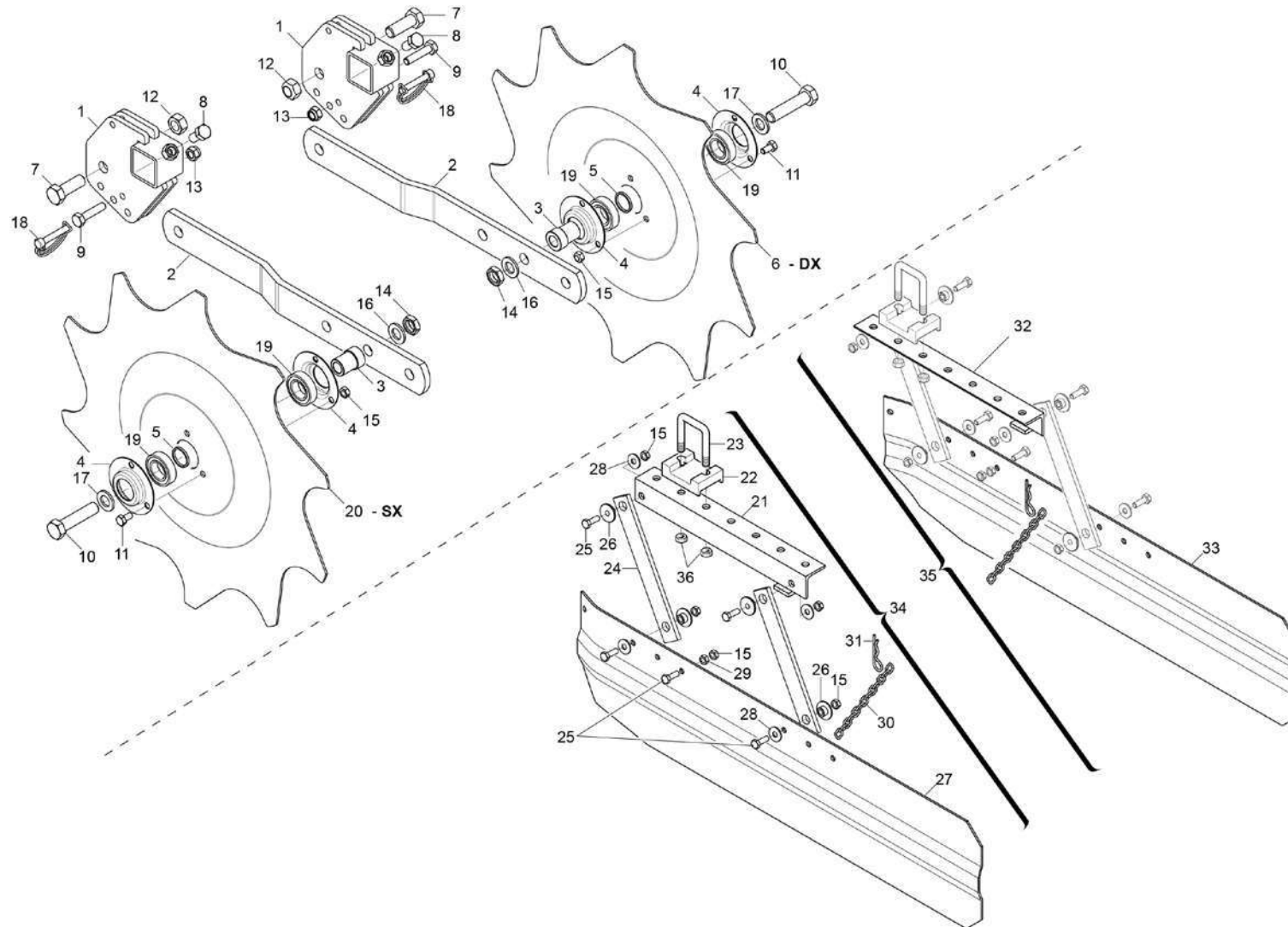
Pos.	Cod.	Descrizione	Description
1	F01020506	VITE M12X1,75X20 U5739 8.8ZN	SCR. M12X1,75X20 U5739 8.8ZN
2	G13643260	RUOTA FARMF. D.FORCELLA COMPL	WHEEL COMPLETE WITH FORK
3	G22270079	PARAPOLVERE D.25	DUST COVER D.25
4	G23440108	CERCHIO RUOTA FARMFLEX HL	WHEEL RIM FARMFLEX HL
5	G23440109	TAPPO APERTO RUOTA HL	WHEEL OPEN PLUG HL
6	G22270082	DISTANZIALE ALL.RUOTA	ALUMINIUM WHEEL SPACER
7	F01020072	VITE M8X1,25X50 U5737 8.8ZN	SCR. M8X1,25X50 U5737 8.8ZN
8	F01020383	VITE M5X0,8X30 U5739 8.8ZN	SCR. M5X0,8X30 U5739 8.8ZN
9	F01200244	DADO M8X1,25 U5588 6.8ZN	NUT M8X1,25 U5588 6.8ZN
10	F01430059	ROS.M8 8,4X 15X0,8 U8842J ZN	WASHER M8 8,4X15X0,8 U8842J ZN
11	F06120190	COPERTURA FARMFLEX 4"X10,5 HL	TYRE FARMFLEX 4"X10-5 HL
12	G13643240	CUSCINETTO RUOTA FARMFLEX	BEARING FOR FARMFLEX WHEEL
13	G13643230	MANICOTTO RUOTA FARMFLEX ZN	FARMFLEX WHEEL SLEEVE ZN
14	F01220200	DADO M5X0,8 D980 8ZN	NUT M5X0,8 D980 8ZN
15	F01430071	ROS.M12 13X20,5X 1 U8842J ZN	WASHER D12 DIN 6798 D.INT.ZN

S.N.



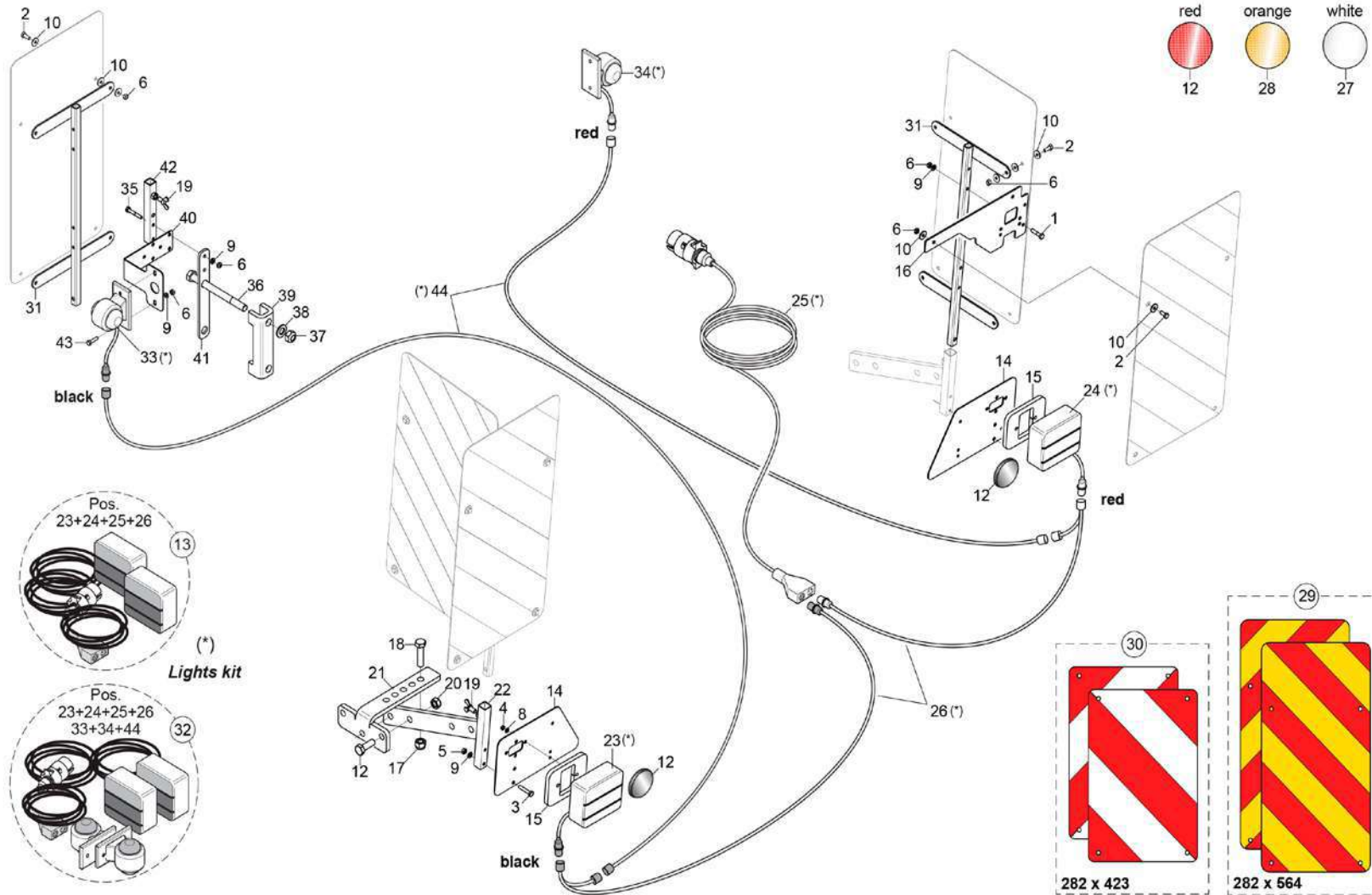
S.N.

Pos.	Cod.	Descrizione	Description
1	G23410118	PUNTA RINCALZATORE	RIDGING PLOUGH TIP
2	G20970013	RONDELLA 85X8X17,25	WASHER 85X8X17,25
3	F01200270	DADO M10X1,5 U5588 6,8ZN	NUT M10X1,5 U5588 6,8ZN
4	G20970053	RONDELLA 85X10X17	WASHER 85X10X17
5	G20970502	RONDELLA A FOND.37X26X5X1,5	BOTTOMED WASHER 37X26x5x1,5
6	G20970503	RONDELLA A FOND.48X17,25X8X1,5	BOTTOMED WASHER 48X17-25X8X1-5
7	G20980003	BOCCOLA 14X17,5X25	BUSHING 14X17-5X25
8	G20980004	BOCCOLA 10X17,5X25	BUSHING 10X17,5X25
9	G10740171	VITE 16X103	SCREW 116X103
10	G23410046	GAMBO CON MOZZO PER DISCO	SHANK W/ DISK HUB
11	G23410047	DISCO ASSOLCAT.CON GAMBO LM	FURROW OPENER DISK
12	G13649020	SUPPORTO GAMBO ELEMENTI COMPL	ROD SUPPORT ELEMENT COMPL
13	G13649030	TELO PROTEZ.ELEM.TRASPORTO	TRASPORT ELEMENT COVER SHEET
14	G23440148	DISCO BIETOLE COMPL. HL LM	S.BEET DISC ASSY. HL LM
15	G23420048	DISCO BOMBATO	CONVEX DISK
16	G23420051	ZAPPA POSTERIORE DA 215 LM	HOE- REAR- 215 LM
17	G23430032	GAMBO ZAPPETTA POSTERIORE	SHANK - REAR HOE BLADE
18	G23430033	ZAPPA POST.DA 140 COMPL. LM	HOE- REAR- 140- COMPLETE LM
19	G23430039	ZAPPETTA DA 14 SINISTRA	HOE BLADE- 14 LEFT-
20	G23430040	ZAPPETTA DA 14 DESTRA	HOE BLADE- 14 RIGHT
21	G23430042	>ZAPPA POSTERIORE DA 140	HOE- REAR- 140- COMPLETE
22	F01200269	DADO M10X1,5 U5588 6,8BR	NUT M10X1,5 U5588 6,8BR
23	F01060086	VITE M10X1,5X70 U5731 8,8ZN	SCR. M10X1,5X70 U5732 4,6ZN
24	G23440038	STAFFA PORTAMOLLA	SPRING BRACKET
25	G13640360	ZAPPA DA 150 HL A DELTA	DELTA BLADE 150 HL
26	G23440040	MOLLA COMPLETA DI ZAPPA LM	SPRING COMPLETE WITH BLADE 150
27	G13644380	MOLLA ROMPIRACCIA L.500 COMPL	ROWBRAKER SPRING L.500
28	F20120330	MOLLA ROMPIRACCIA 30X30 L.500	ROWBRAKER SPRING 30X30 L.500
29	F20120014	VOMERE REVERSIBILE 40X16	REVERSIBILE COULTER 40X16
30	F20120041	VITE M12X60	SCREW M12X60
31	G23440056	RINCALZATORE ALI REGOLAB. LM	ADJUSTABLE WING RIDGE PLOUGH I
32	G13644031	ASS.ATTACCO RINCALZATORE	RIDGER COUPLING
33	F01020528	VITE M12X1,75X40 U5739 10,9ZD	BOLT M12X1,75X40 U5739 10,9ZN
34	G23440084	VOMERE SUPPLEMENTARE HL LM	PLOUGH-SHARE- SUPPLEM. HL LM
35	G23440087	GAMBO ZAPPA POST. HL	SHANK - REAR HOE HL
36	G23440146	SCONTRO ZAPPA POST.BIE.HL LM	STRIKER PLATE HL LM
37	G23440147	GAMBO DISCO BIETOLE HL	DISK SHANK- BEET HL
38	G23440149	GAMBO ZAPPA LATERALE HL	SHANK HL
39	G23440150	ZAPPA LAT. SX COMPL. HLLM	HOE- LEFT SIDE COMPL. HL LM
40	G23440151	ZAPPA LAT. DX COMPL. HL LM	HOE- RIGHT SIDE- COMPL. HL LM
41	G23440153	ZAPPA SUPPLEMENT. COMP.HL LM	HOE- SUPPL. COMPLETE HL LM
42	F01020510	VITE M12X1,75X30 U5739 8,8ZN	SCR. M12X1,75X30 U5739 8,8ZN
43	F01220048	DADO M12X1,75 D980 8ZN	NUT M12X1,75 D980 8ZN
44	F01060076	VITE M10X1,5X40 U5731 8,8ZN	SCR. M10X1,5X40 U5731 8,8ZN
45	F01060082	VITE M10X1,5X60 U5732 8,8BR	SCR. M10X1,5X60 U5732 8,8BR
46	F01200269	DADO M10X1,5 U5588 6,8BR	NUT M10X1,5 U5588 6,8BR
47	F01020166	VITE M12X1,75X80 U5737 8,8ZN	SCR. M12X1,75X80 U5737 8,8ZN
48	G23410042	GAMBO ZAPPETTA	SHANK- HOE BLADE
49	F01060070	VITE M10X1,5X30 U5732 8,8BR	SCR. M10X1,5X30 U5732 8,8BR
50	F01020152	VITE M12X1,75X40 U5737 8,8ZN	SCR. M12X1,75X40 U5737 8,8ZN
51	G23420049	ZAPPALATERALE SX	HOE- LEFT SIDE
52	F01060113	VITE M10X1,5X40 U6104 4,6BR	SCR. M10X1,5X40 U6104 4,6BR
53	F01220266	DADO M16X2 D980 8ZN	NUT M16X2 D980 8ZN
54	F01200269	DADO M10X1,5 U5588 6,8BR	NUT M10X1,5 U5588 6,8BR
55	G23410043	ZAPPA LAT.SX COMPL. LM	HOE- LEFT SIDE COMPL. LM
56	G23420050	ZAPPALATERALE DX	HOE- RIGHT SIDE
57	F01230059	DADO M12X1,75 D982 8ZN	LOCK-NUT M12X1,75 D982 8ZN
58	F01020188	VITE M12X1,75X60 U5737 10,9ZD	SCR. M12X1,75X60 U5737 10,9ZD
59	F01410064	ROS.M10 10,5X 20X 2 U6592 ZN	WASHER M10 10,5X20X2 U6592 ZN
60	F01430023	ROS.M10 10,5X 18X0,9 U8842J ZN	WASHER D10 DIN 6798 D.INT.ZN
61	F02250273	RIBATTINO TT 6X25 Q.TY 136	PACK RIVETS TT 6X25 QTY 136
62	F02250460	RIBATTINO TPS 5,4X30 2710940	1KG PACK BLAD.MOUNT.TPS 5-4X30
63	F04010161	CUSC.D17 D40 B12 6203 2RS EX	BEARING D17 D40 B12 6203 2RS
64	F02050348	ANELLO E. DI 40X1,75 U7437 C70	SEEGER RING E. 40X1,75 U7437
65	F20120331	MOLLA FLEX 32X12	SPRING FLEX 32X12
66	G23410044	ZAPPA LAT.DX COMPL. LM	HOE- RIGHT SIDE COMPL. LM
67	F02200562	SPINA SICUR.D. 8X70 ZN	SNAP PIN D.8X 70 ZN
68	F01200293	DADO M12X1,75 U5588 6,8ZN	NUT M12X1,75 U5588 6,8ZN
69	F01410076	ROS.M12 13X 24X2,5 U6592 ZN	WASHER 12 13X 24X2,5 U6592 ZN
70	F01480055	ROS G 12,2X 18X2,5 D7980 ZN	WASHER. 12,2X18X2,5 D7980ZN



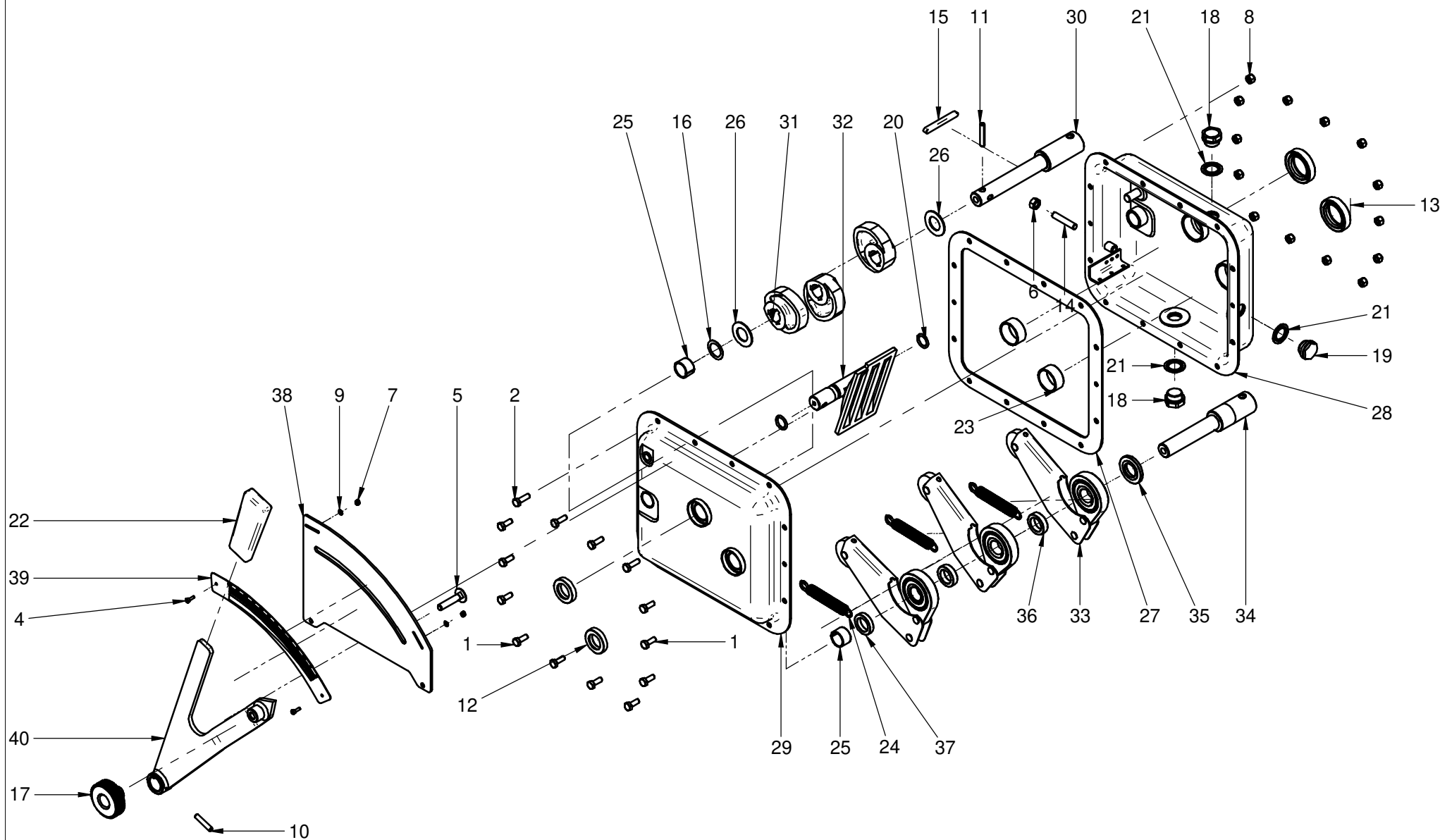
S.N.

Pos.	Cod.	Descrizione	Description
1	G13644340	SUPPORTO DISCHI DENTATI	TOOTHED DISK SUPPORT
2	G13644350	BRACCIO REGOLABILE DISCO DENT.	ADJ.BLE ARM CROWN DISC
3	G13643110	BOCCOLA 16 X29 X39,5 ZN	BUSHING 16 X29 X39,5 ZN
4	G22230094	SUPPORTO CUSCINETTO	BEARING SUPPORT
5	G13643140	DISTANZIALE ZN	GALVANIZED SPACER
6	G13643131	DISCO DENTATO DX	RIGHT TOOTHED DISC
7	F01020568	VITE M16X2X45 U5739 8.8ZN	SCR. M16X2X45 U5739 8.8ZN
8	F01020508	VITE M12X1,75X25 U5739 8.8ZN	SCR. M12X1,75X25 U5739 8.8ZN
9	F01020112	VITE M10X1,5X45 U5737 8.8ZN	SCR. M10X1,5X45 U5737 8.8ZN
10	F01020260	VITE M16X2X70 U5737 8.8ZN	SCR. M16X2X70 U5737 8.8ZN
11	F01020432	VITE M8X1,25X16 U5739 8.8ZN	SCR. M8X1,25X16 U5739 8.8ZN
12	F01220266	DADO M16X2 D980 8ZN	NUT M16X2 D980 8ZN
13	F01230048	DADO M10X1,5 D982 8ZN	NUT M10X1,5 D982 8ZN
14	F01200444	DADO M16X2 U5589 6SZN	NUT M16X2 U5589 6SZN
15	F01220022	DADO M8X1,25 D980 8ZN	NUT M8X1,25 D980 8ZN
16	F01430094	ROS.M16 17X 26X1,2 U8842J BR	WASHER D16 UNI 6798 D.INT.
17	F01410100	ROS.M16 17X 30X 3 U6592 ZN	WASHER M16 17X30X3 U6592 ZN
18	F02200562	SPINA SICUR. D. 8X70 ZN	SNAP PIN D.8X 70 ZN
19	F04010134	CUSC.D25 D47 B12 6005 2Z	BEARING D25 D47 B12 6005 2Z
20	G13643121	DISCO DENTATO SX	LEFT DISK TOOTHED
21	G13640252	ASS.SUPPORTO PROTEZIONE LAT.SX	ASSY L.SIDE GUARD SUPPORT
22	G19203791	SCONTRO FISS.EL.OPERATORI ZN	BRACKET
23	F20110739	CAV.Q.B=35 M=12X1,75L=66	U BOLT Q.B=35 M=12X1,75 L=66
24	G13640271	BRACCIO PER PROTEZ.	GUARD ARM
25	F01020445	VITE M8X1,25X30 U5739 8.8ZN	SCR. M8X1,25X30 U5739 8.8ZN
26	G13643530	BOCCOLA BRACCI PROT.SINTERIZ.	BUSHING
27	G13640431	PROTEZ.LAT.SX 2012	LEFT SIDE PROTECTION
28	F01420049	ROS.M8 8,4X 32X 2 U6593 ZN	WASHER M8 8,4X32X2 U6593 ZN
29	F01200244	DADO M8X1,25 U5588 6.8ZN	NUT M8X1,25 U5588 6.8ZN
30	G13649050	CATENA GENOVESE D.2,8 L.295 ZN	GENOAN CHAIN D.2,8 L.295
31	F02200363	COPIGLIA R 3X 62 ZN	SPRING SPLIT PIN 3X 62 ZN
32	G13640242	ASS.SUPPORTO PROTEZIONE LAT.DX	RIGHT SIDE PROTECTION ASSEMBLY
33	G13640261	PROTEZ.LAT.DX 2012	RIGHT SIDE PROTECTION
34	G23440044	PROTEZIONE LAT.SX C.HL-HM LM	LEFT LAT. C.HL-HM LMPROTECTION
35	G23440043	PROTEZIONE LAT.DX C.HL-HM LM	RIGHT LAT. C.HL-HM LM PROTECTI
36	F01230059	DADO M12X1,75 D982 8ZN	LOCK-NUT M12X1,75 D982 8ZN



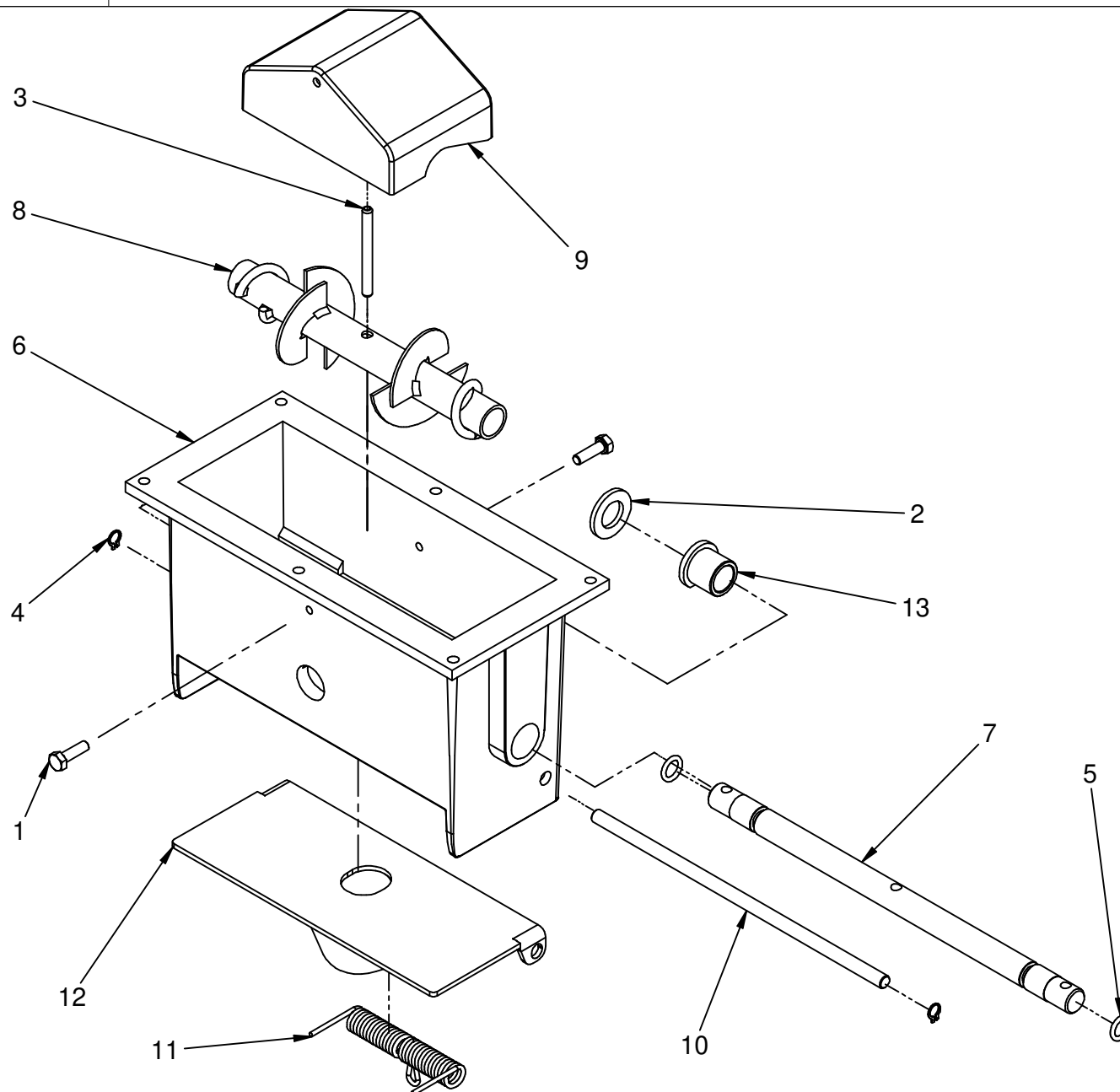
S.N.

Pos.	Cod.	Descrizione	Description
1	F01020037	VITE M6X1X30 U5737 8.8ZN	SCR. M6X1X30 U5737 8.8ZN
2	F01020403	VITE M6X1X16 U5739 8.8ZN	SCR. M6X1X16 U5739 8.8ZN
3	F01020411	VITE M6X1X35 U5739 8.8ZN	SCR. M6X1X35 U5739 8.8ZN
4	F01200220	DADO M5X0,8 U5588 6.8ZN	NUT M5X0,8 U5588 6.8ZN
5	F01200232	DADO M6X1 U5588 6.8ZN	NUT M6X1 U5588 6.8ZN
6	F01220011	DADO M6X1 D980 8ZN	NUT M6X1 D980 8ZN
7	F01230059	DADO M12X1,75 D982 8ZN	LOCK-NUT M12X1,75 D982 8ZN
8	F01410023	ROS.M5 5,3X 10X 1 U6592 ZN	WASHER M5 5,3X 10X 1 U6592
9	F01410037	ROS.M6 6,4X12,5X1,6 U6592 ZN	WASHER M6 6,4X12,5X1,6 U6592ZN
10	F01420036	ROS.M6 6,4X 18X1,5 U6593 ZN	WASHER M6 6,4X 18X1,5 U6593 ZN
11	F05010816	TABELLE (2)CAR.SPORGENTI IT	WARNING BOARDS (2) IT
12	F05010820	CATARIFR.TONDO D60 ROSSO	ROUND REFLECTOR D.60 RED
13	F05010822	KIT FANALI DX-SX CON CAVO	KIT REAR ROAD LIGHTS MOUNTED
14	GA5210020	PORTA LUCE	BACK LIGHT SUPPORT
15	GA5210040	SUPPORTO LUCE	SUPPORT LIGHT
16	M04700558	SUPPORTO TABELLA INGOMBRO	LIGHT-CHART SUPPORT
17	F01020512	VITE M12X1,75X35 U5739 8.8ZN	SCR. M12X1,75X35 U5739 8.8ZN
18	F01020517	VITE M12X1,75X50 U5739 8.8ZN	SCR. M12X1,75X50 U5739 8.8ZN
19	F01090215	VITE M8X1,25X15 U5449 5.8ZN	SCR. M8X1,25X15 U5449 5.8ZN
20	F01220048	DADO M12X1,75 D980 8ZN	NUT M12X1,75 D980 8ZN
21	GA3612190	PIATTO PIEGATO SP.10	FOLDED PLATE THK.10
22	GA3612211	SUPPORTO TABELLE	TABLES SUPPORT
23	G67201083	FANALE LUCE-FRENO-FRECCIA SX	LIGHT SX
24	G67201082	FANALE LUCE-FRENO-FRECCIA DX	STOP TABLE RIGHT
25	F05200026	CABLAGGIO PRINCIPALE	MAIN CABLE
26	F05200027	CABLAGGIO ALI LUCI STRADALI	LATERAL STREET LIGHTS CABLE
27	F05010818	CATARIFR.TONDO D60 BIANCO	ROUND REFLECTOR D.60 WHITE
28	F05010819	CATARIFR.TONDO D60 GIALLO	ROUND REFLECTOR D.60 YELLOW
29	F05010816	TABELLE (2)CAR.SPORGENTI IT	WARNING BOARDS (2) IT
30	F05010817	TABELLE (2)CAR.SPORGENTI FR-DE	WARNING BOARDS (2) FR-DE
31	G16612070	TELAIO SUPP.TABELLE STRAD.	FRAME SUPPORT TABLE
32	F05010833	KIT LUCI POST.STRAD.ECCEZ.	KIT REAR ROAD LIGHTS M.EXCEP.
33	F05010346	LUCE INGOMBRO ANTERIORE SX	FRONT LEFT LIGHT
34	F05010345	LUCE INGOMBRO ANTERIORE DX	FRONT LIGHT DX
35	F01020040	VITE M6X1X40 U5737 8.8ZN	SCR. M6X1X40 U5737 8.8ZN
36	F01020225	VITE M14X2X160 U5737 8.8BR	SCR. M14X2X160 U5737 8.8BR
37	F01220255	DADO M14X2 D980 8ZN	NUT M14X2 D980 8ZN
38	F01410088	ROS.M14 15X 28X2,5 U6592 ZN	WAS.M14 15X 28X2,5 U6592 ZB
39	G13710561	SCONTRO A U SP.10 2F16,5 118	U-SHAPED PLAT.SP.10 2F16,5 118
40	G17715130	SUPPORTO LAT.CATADIOTRI	REFLECTOR LATERAL SUPPORT
41	GA3612250	PIATTO 220X30 SP.5	PLATE 220X30 THK.5
42	GA3612261	SUPPORTO ANT.HL-HS	FRONT SUPPORT HL-HS
43	F01020404	VITE M6X1X20 U5739 8.8ZN	SCREW M6X1X20 U5739 8.8ZN
44	F05200028	CABLAGGIO SIDE MARKER	SIDE MARKER STREET LIGHT CABLE

**S.N.**

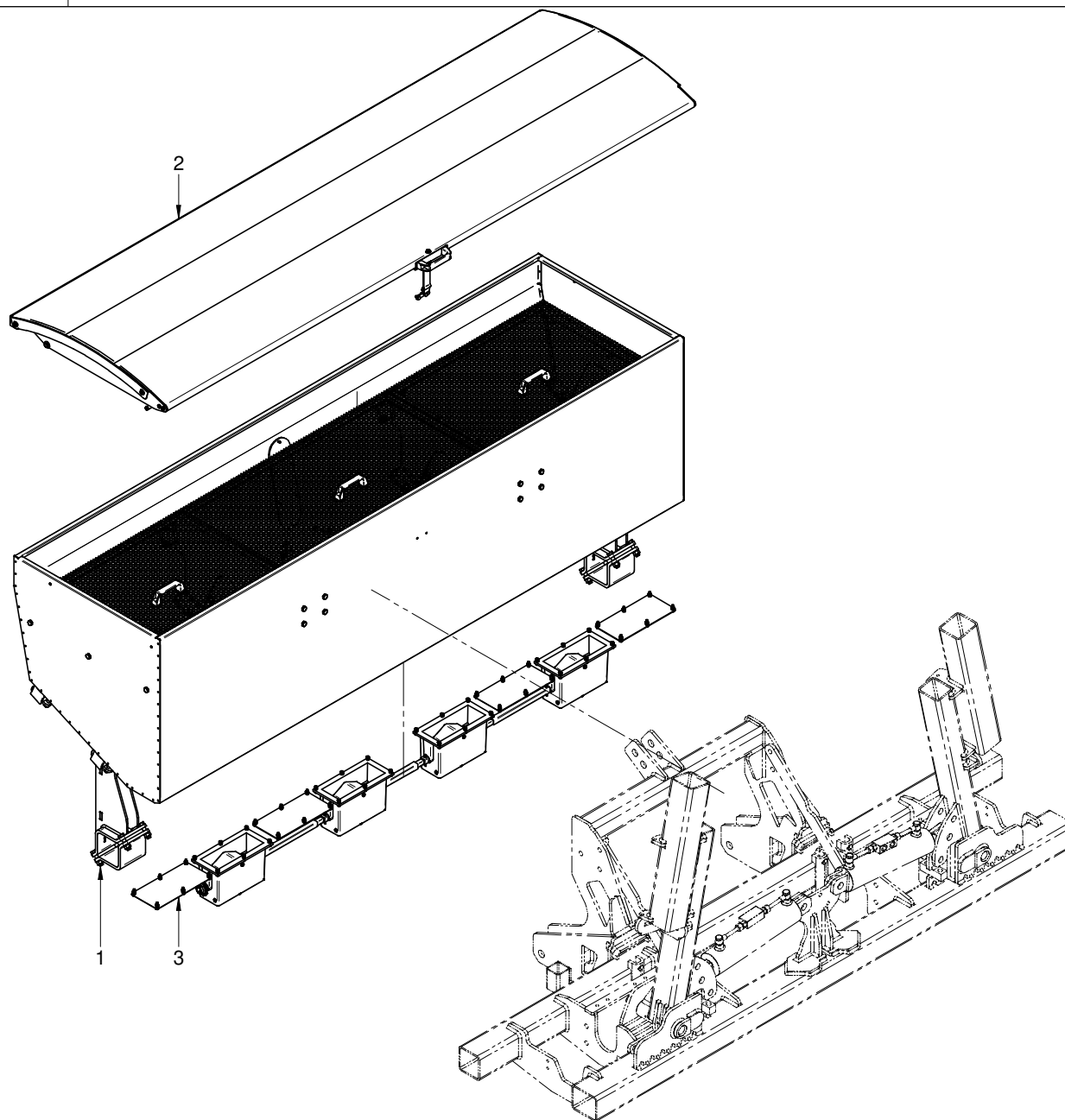
Pos.	Code	Description	Quantity
1	020.011	SCREW TE M 6X16 8.8 5739 ZB	10
2	020.012	SCREW TE M 6X20 8.8 ISO 4017 ZB	2
3*	020.046	SCREW TE M 6X18 8.8 5739 ZB	2
4	020.487	SCREW TCEI M 3X10 8.8 5931 ZB	2
5	020.576	SCREW TTQST M 8X40 4.6 5731 ZB	1
6	021.003	NUT E 6S M 8 5588 ZB	1
7	021.097	SELF-LOCKING NUT M 3 7474 ZB	2
8	021.115	SELF-LOCKING NUT M6 7473 ZB	14
9	023.009	FLAT WASHER M3=3.2X6X0.5 6592 ZB	2
10	024.331	ELASTIC PIN D. 6X30 6873 INOX	1
11	024.335	ELASTIC PIN D. 6X35 6873 INOX	1
12	025128	SEAL RING 20X35X7	2
13	025133	SEAL SPRING 30X47X10	2
14	026.102	GRAIN CE 12.9 M 8X40 5923/A	1
15	027.105	GROOVE-AND TONGUE JOINT 6X6X60 6604/A	1
16	028.313	RING "PS" 20X28X0.5 DIN 988	1
17	030.559	KNOB MBT 50B-M8	1
18	030553	EXHAUST PLUG 20X1,5 ALL	2
19	030558	PLUG HFT. 14 M20X1,5	1
20	046.014	O RING 119	2
21	060.431	CHUCK WASHER BONDED M20	3
22	095.069	HANDLE MPV 41X111 D25X6	1
23	156952	BUSHING MU TFP 30-34-15	2
24	156957	DRIVE SPRING CONNECT. ROAD	3
25	156969	BUSHING MU TFP 20-23-15	2
26	156976	THRUST BEARING WM 18 FBA	2
27	157289	GASKET GEAR BOX	1
28	157291	WELD ASSY GEARBOX TEXAS	1
29	157292	WELD ASSY COVER GEARBOX	1
30	157306	CAM SHAFT	1
31	157307	CAM	3
32	157310	WELD ASSY ADJUSTMENT SECTOR	1
33	157322	COMPL. ASSY CONROD	3
34	157325	SHAFT FREE WHEEL	1
35	157326	SLIDING SPACER RING 20X40X5	1
36	157327	SPACER RING OF BEARINGS 20X30X4	2
37	157328	KNOCK RING POSTERIOR SPACER 20X30X5	1
38	46002130	BRACKET ADJUSTMENT PLATE	1
39	46002131	ADJUSTMENT PLATE	1
40	46002132	WELD ASSY ADJUSTMENT LEVER	1

S.N.

**S.N.**

Pos.	Code	Description	Quantity
1	021.816	SCREW TE M 6X20 8.8 5739 A2.70 INOX	2
2	023.055	FLAT WASHER M16=17X30X3 6592 INOX	2
3	024.358	ELASTIC PIN D. 6X60 6873 INOX	1
4	028.097	RETAINING RING EXT. D. 8 7435/471	2
5	046.022	OR 3043 (D=2,62 D=10,78) - VITON	2
6	10027210	FERTILIZER DISTRIBUTOR	1
7	10027215	DISTRIBUTOR SHAFT D.16 L=288 (INOX 304)	1
8	10027217	WELD ASSY BIGGER FERTILIZER AUGER BLACK	1
9	10027230	BODY COVER	1
10	10027234	DOOR HOLDING SHAFT ZB	1
11	10027236	DOOR SPRING ZB	1
12	10037140	WELD ASSY FERTILIZER DOOR D.40 POST.	1
13	10037632	FERLIZER BRASS 16,2X22X28X3,5X22BRONZE	2

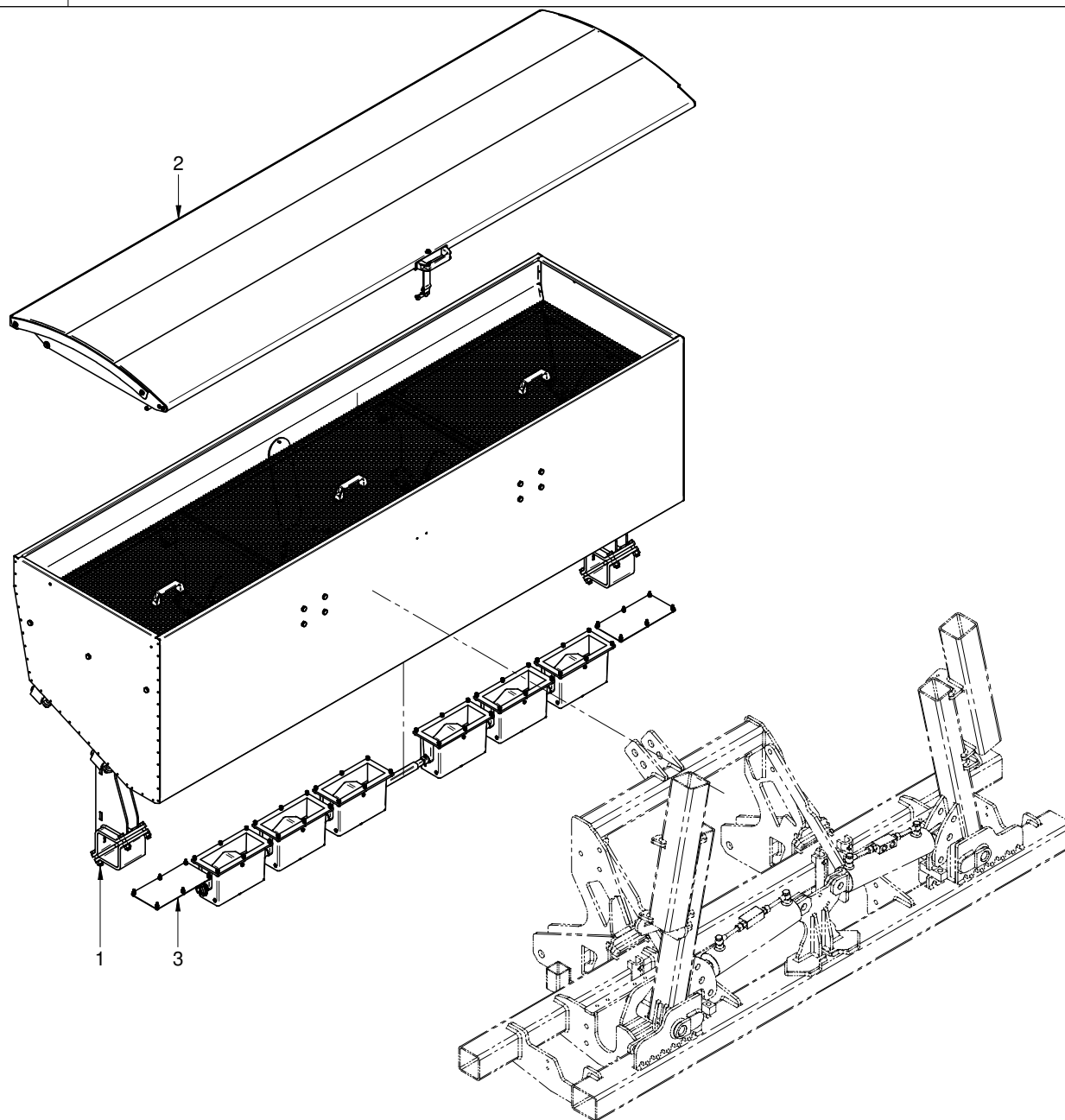
S.N.



S.N.

Pos.	Code	Description	Quantity
1	37001110	COMPL. ASSY TANK 8 ROWS 950 LT	1
2	37001111	COMPL. ASSY FOLDING TARPAULIN	1
3	37001112	COMPL. ASSY DISTRIBUTORS 4 ROWS 75	1

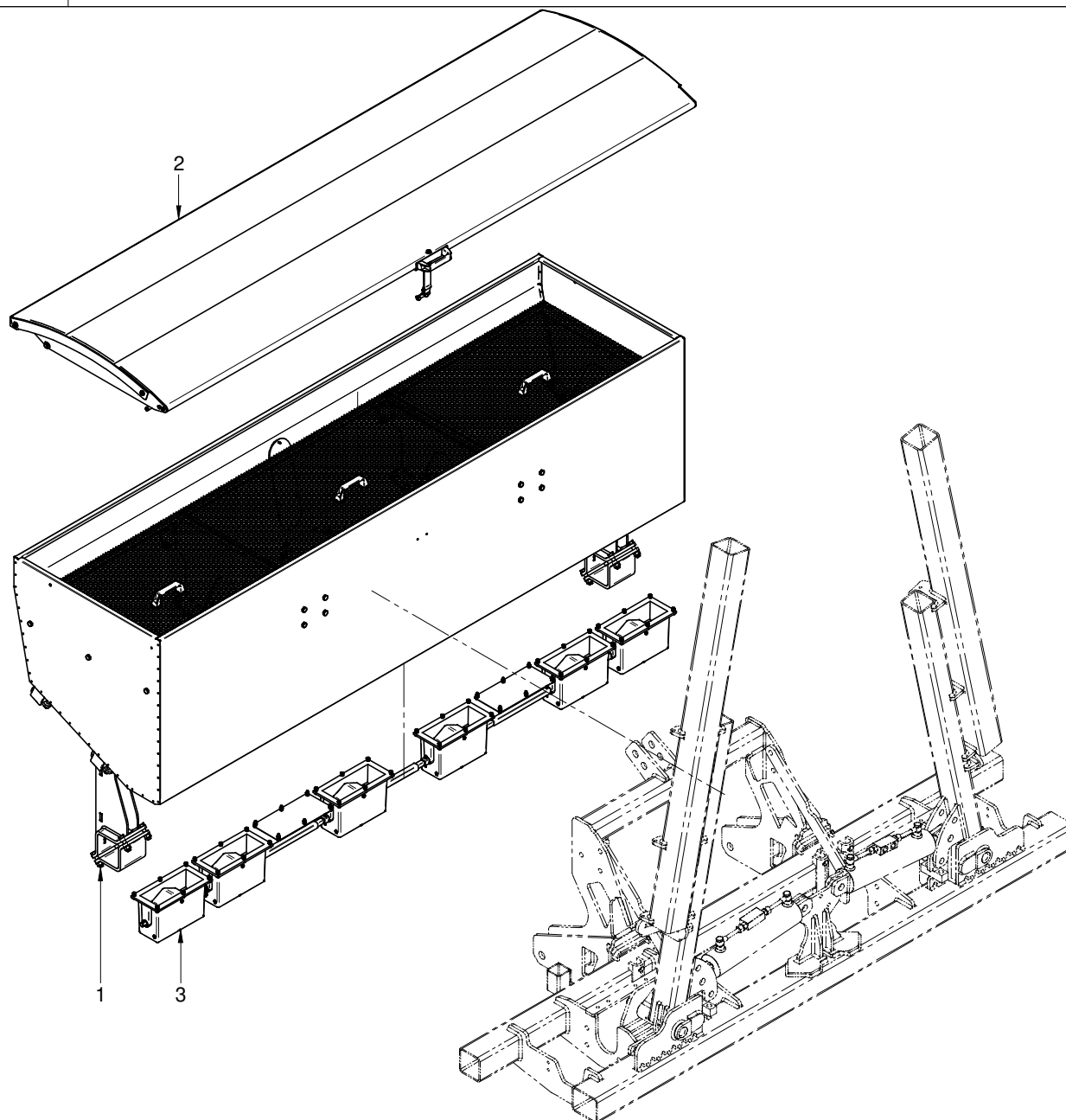
S.N.



S.N.

Pos.	Code	Description	Quantity
1	37001110	COMPL. ASSY TANK 8 ROWS 950 LT	1
2	37001111	COMPL. ASSY FOLDING TARPAULIN	1
3	37001113	COMPL. ASSY DISTRIBUTORS 6 ROWS 45	1

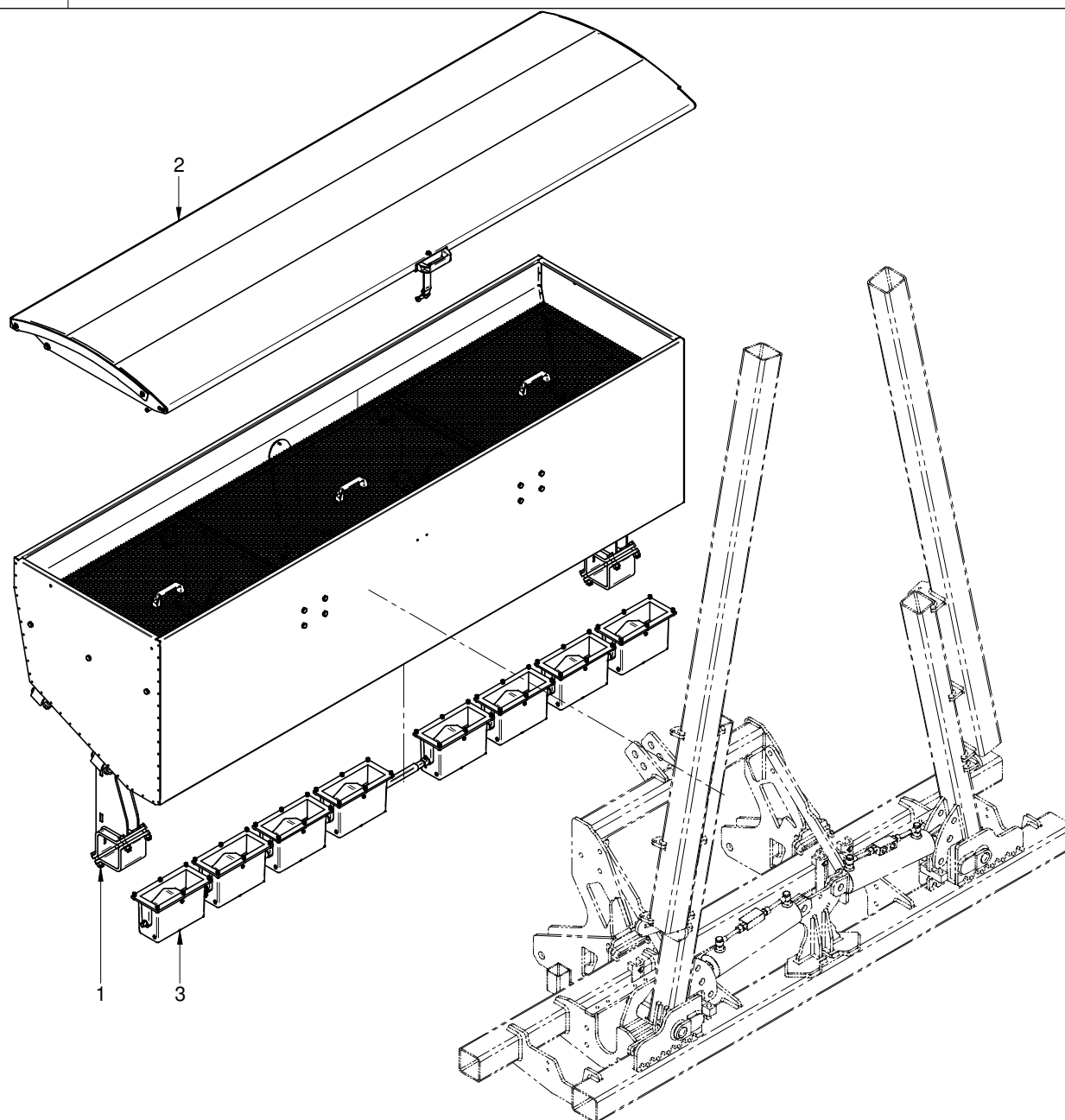
S.N.



S.N.

Pos.	Code	Description	Quantity
1	37001110	COMPL. ASSY TANK 8 ROWS 950 LT	1
2	37001111	COMPL. ASSY FOLDING TARPAULIN	1
3	37001114	COMPL. ASSY DISTRIBUTORS 6 ROWS 75	1

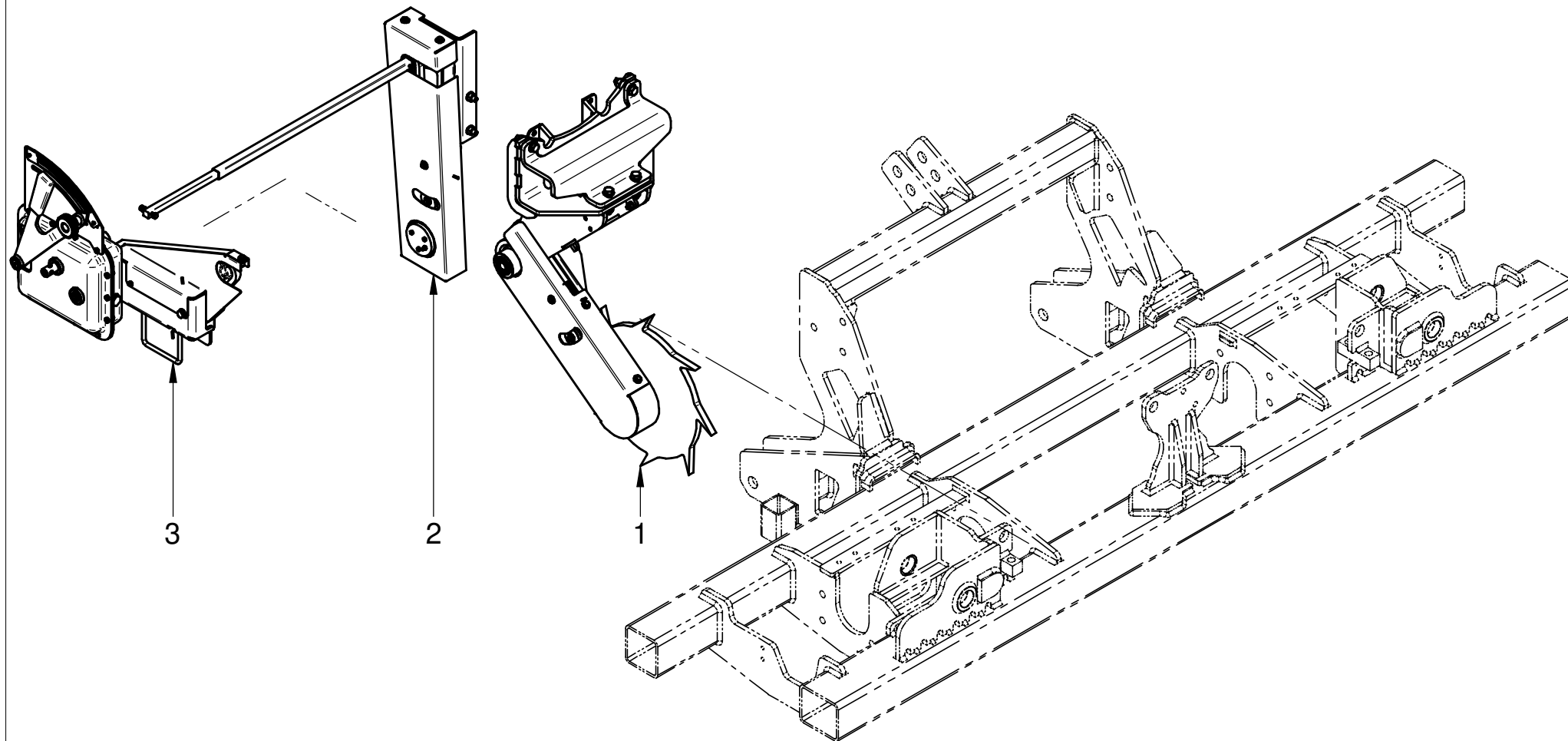
S.N.



S.N.

Pos.	Code	Description	Quantity
1	37001110	COMPL. ASSY TANK 8 ROWS 950 LT	1
2	37001111	COMPL. ASSY FOLDING TARPAULIN	1
3	37001115	COMPL. ASSY DISTRIBUTORS 8 ROWS	1

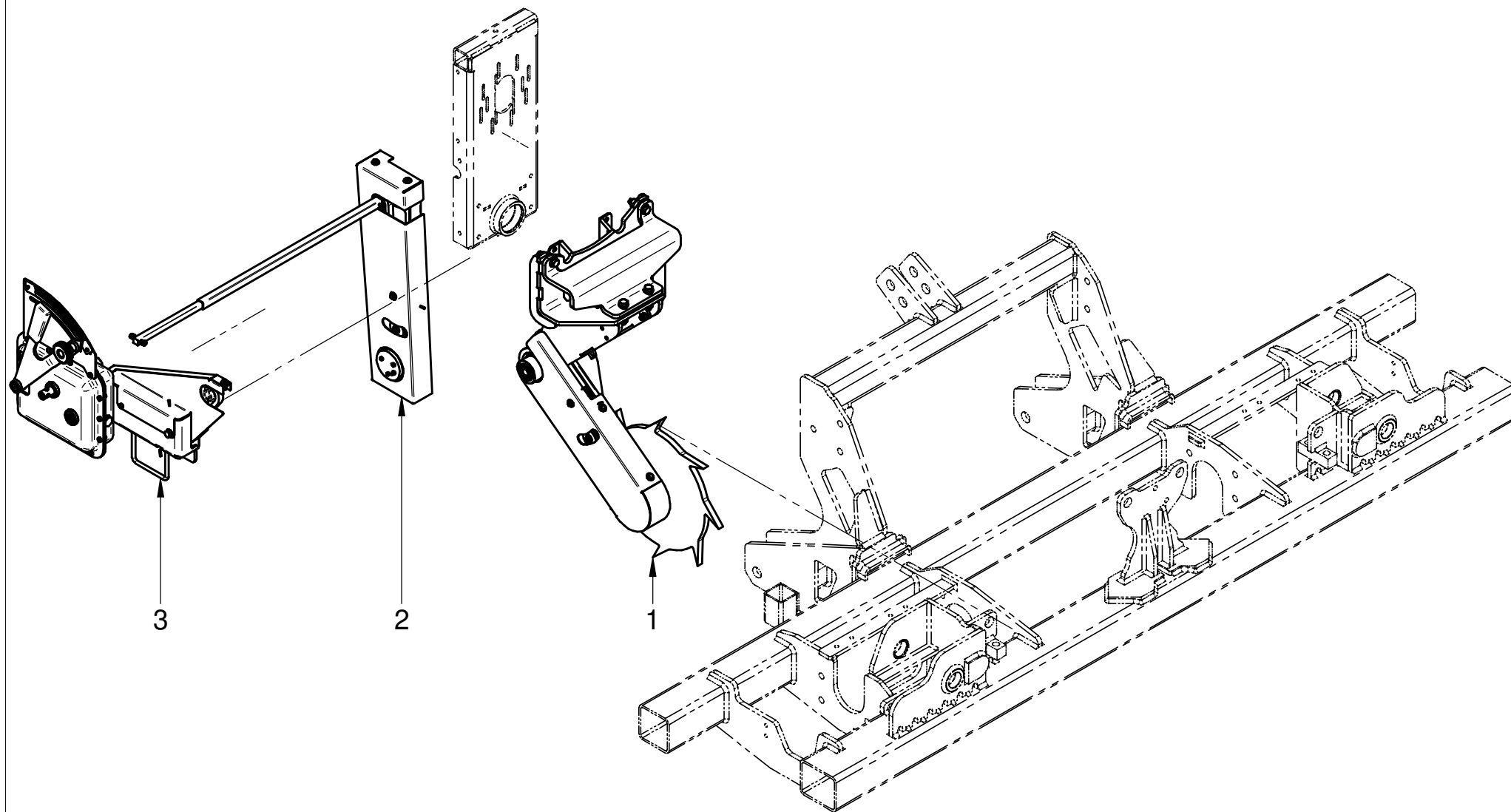
S.N.



S.N.

Pos.	Code	Description	Quantity
1	37001118	COMPL. ASSY TRANSMISSION WHEEL BRACKET	1
2	37001119	COMPL. ASSY INPUT TRANSMISS. WITHOUT FAN	1
3	37001121	COMPL. ASSY OUTPUT TRANSMISSION	1

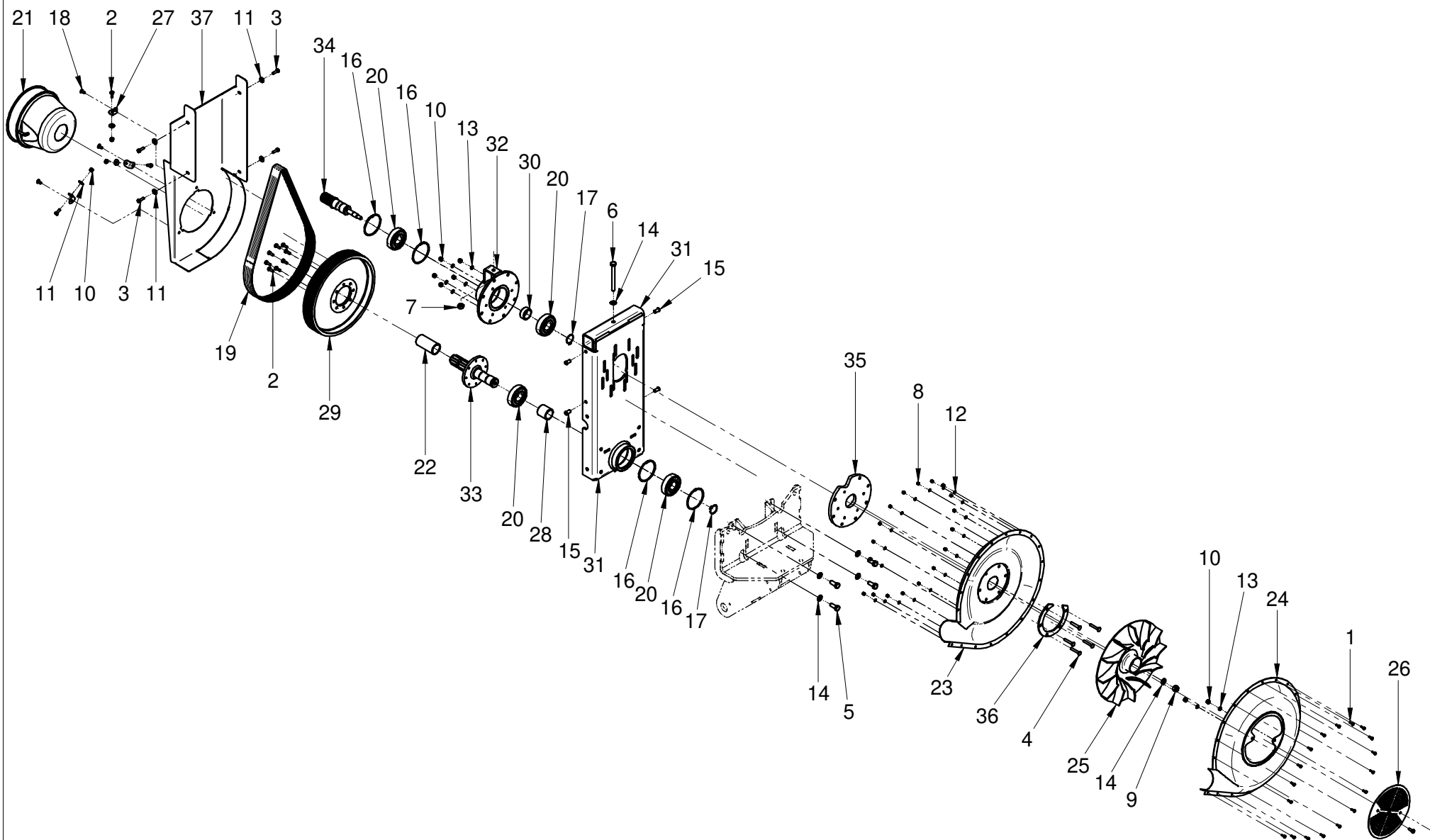
S.N.



S.N.

Pos.	Code	Description	Quantity
1	37001118	COMPL. ASSY TRANSMISSION WHEEL BRACKET	1
2	37001120	COMPL. ASSY INPUT TRANSMISS. WITH FAN	1
3	37001121	COMPL. ASSY OUTPUT TRANSMISSION	1

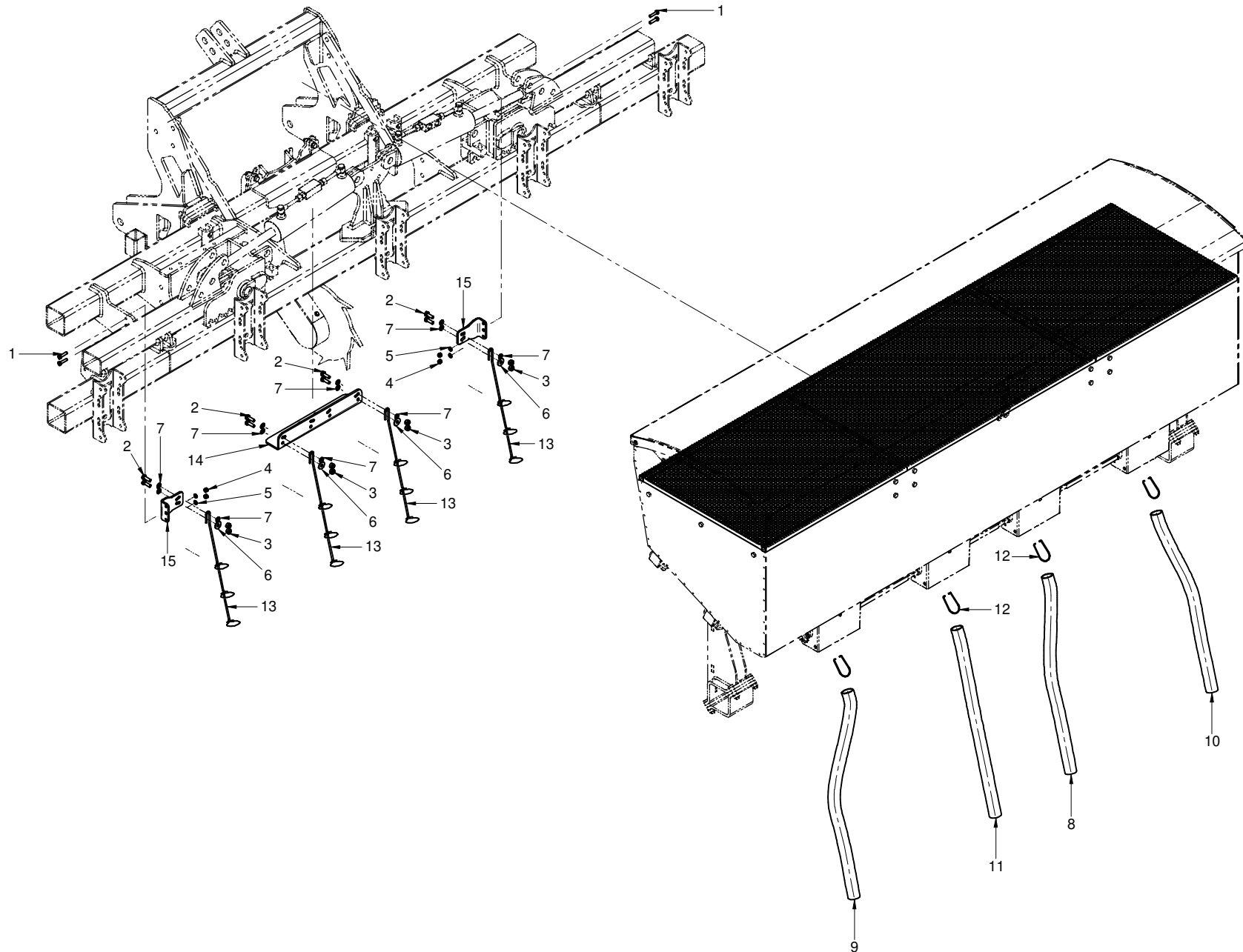
S.N.



S.N.

Pos.	Code	Description	Quantity
1	019.130	SCREW TE M 4X12 8.8 5739 ZB	18
2	020.011	SCREW TE M 6X16 8.8 5739 ZB	13
3	020.012	SCREW TE M 6X20 8.8 ISO 4017 ZB	4
4	020.084	SCREW TTQST M 6X40 4.6 5731 ZB	5
5	020.101	SCREW TE M 10X25 8.8 5739 ZB	4
6	020.114	SCREW TE M 10X100 8.8 5739 ZB	1
7	021.004	NUT E 6S M 10 5588 ZB	1
8	021.099	SELF-LOCKING NUT M 4 7473 ZB	18
9	021.112	SELF-LOCKING NUT M10 7473 ZB	1
10	021.115	SELF-LOCKING NUT M6 7473 ZB	10
11	023.005	FLAT WASHER M6=6,6X18X2 6593 ZB	7
12	023.007	FLAT WASHER M4=4,3X9X0,8 6592 ZB	18
13	023.010	FLAT WASHER M6=6,3X12X1,6 6592 ZB	7
14	023.030	FLAT WASHER M10=10,5X20X2 6592 ZB	6
15	023.925	RIVET TC UNI 9201-B M6-8	4
16	028.022	RETAINING RING INT. D. 72 7437/742	4
17	028.110	RETAINING RING EXT. D. 30 7435/471	2
18	029.610	RIVET ALUMINIUM D.6X12	3
19	031.034	BELT POLY-V J 16 1244	1
20	050.111	BEARING 6306-2RS C3	4
21	095.017	P.T.O. SHAFT PROTECTION BONDIOLI 21902CE	1
22	096.240	PLASTIC COVER FOR P.F. 1 3/8"	1
23	10003397	FAN COVER HUB SIDE	1
24	10003398	FAN COVER SCREEN SIDE	1
25	10003399	FAN WITH HUB	1
26	10003400	PROTECTION BLOWER TURBINE	1
27	10023118	SINGLE PLATE PROTECTION COVER	3
28	10023221	SHAFT SPACER P.T.O.	1
29	10023230	DRIVING PULLEY D.288 X 42 (540)	1
30	10023345	ROTATING SHAFT SPACER 38X16,5 ZB	1
31	37001616	WELD ASSY FAN FRAME	1
32	37001618	WELD ASSY FAN BEARGINGS BRACKET	1
33	37001620	WELD ASSY P.T.O. SHAFT	1
34	37001623	SHAFT CIFARELLI FAN	1
35	37002106	FAN SPACER	1
36	37002107	RING FOR CIFARELLI SCREWS LOCK	1
37	37002109	WELD ASSY FAN COVER	1

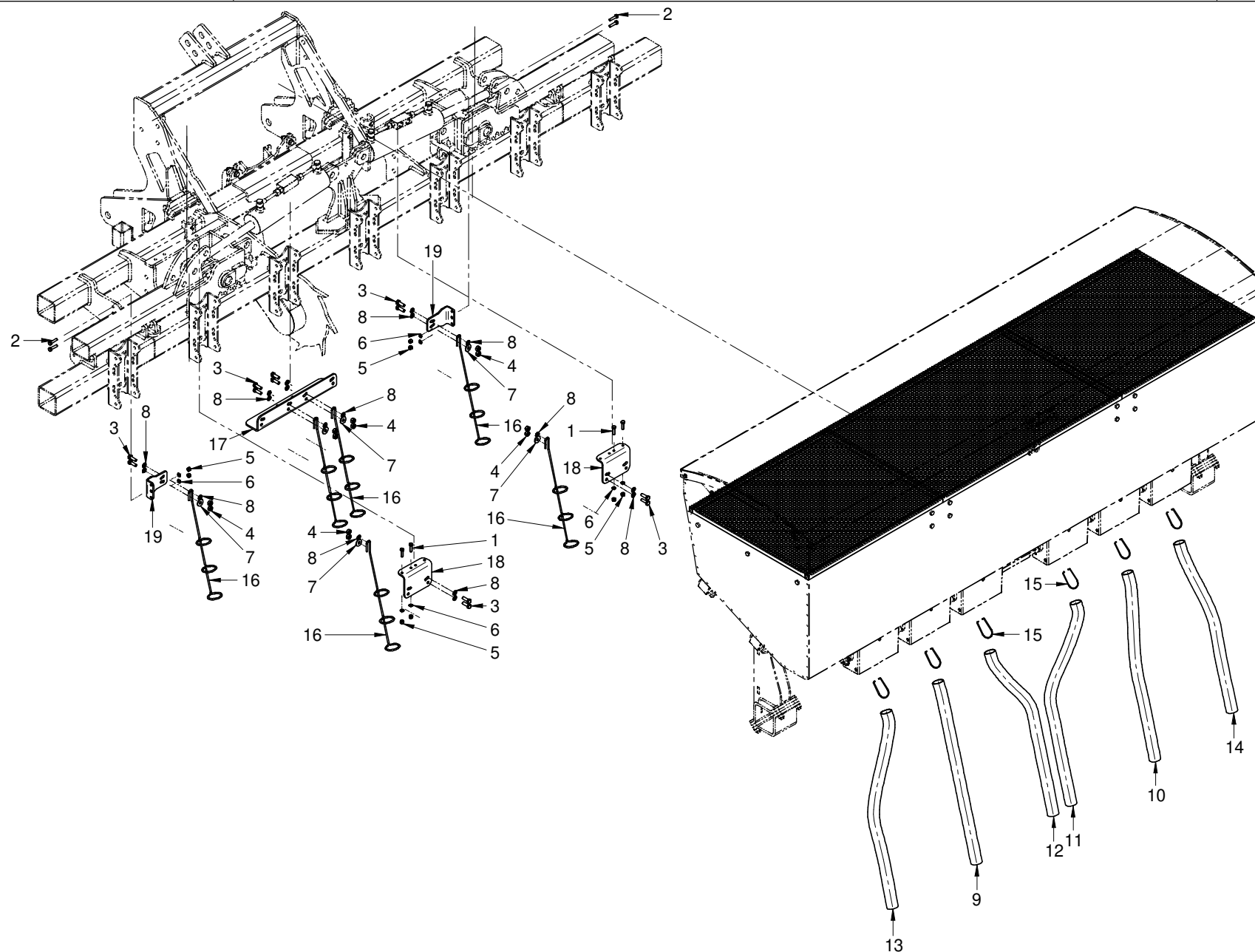
S.N.



S.N.

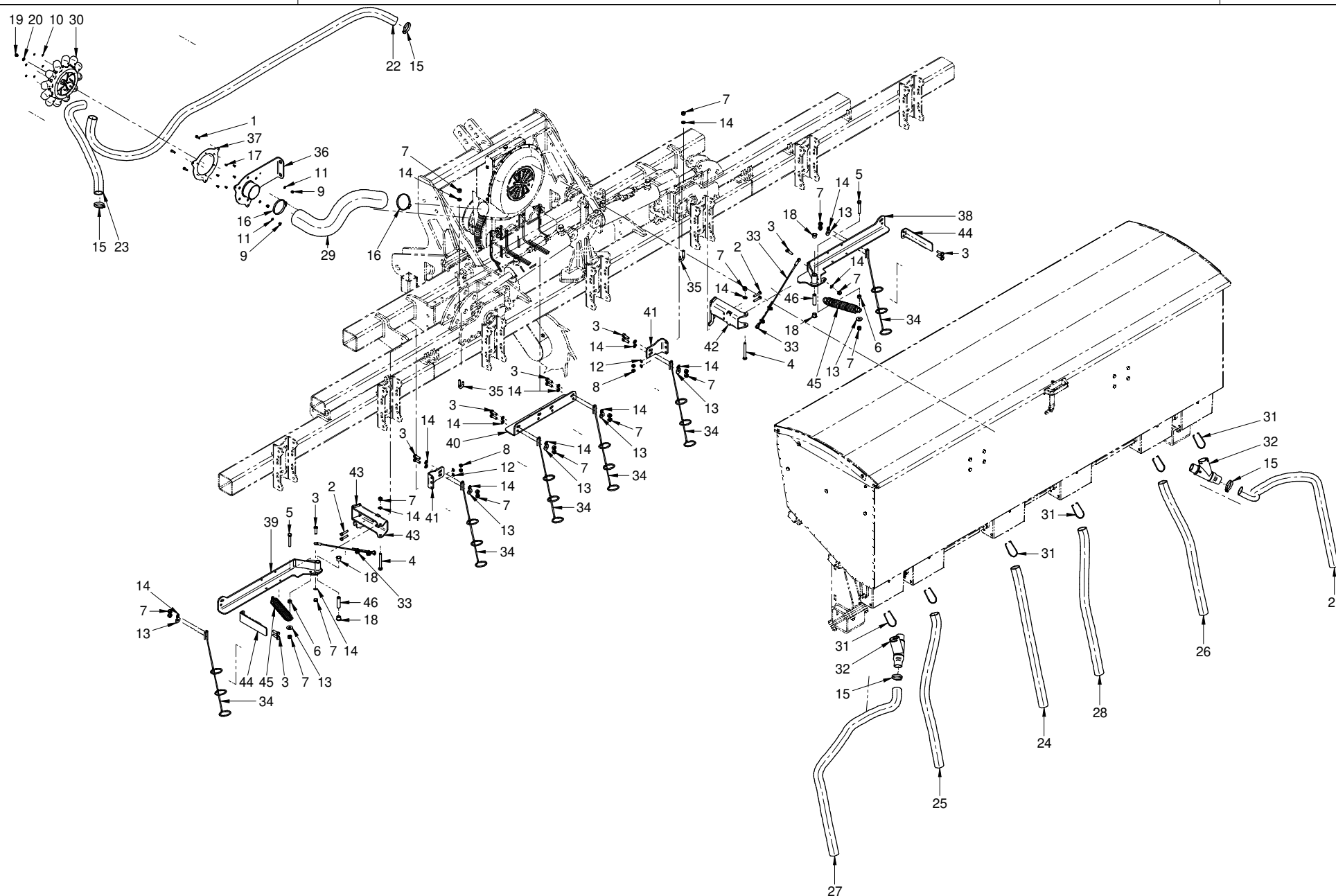
Pos.	Code	Description	Quantity
1	020.054	SCREW TE M 8X35 8.8 5739 ZB	4
2	020.102	SCREW TE M 10X30 8.8 5739 ZB	8
3	021.112	SELF-LOCKING NUT M10 7473 ZB	8
4	021.114	SELF-LOCKING NUT M8 7473 ZB	4
5	023.020	FLAT WASHER M8=8,4X16X1,6 6592 ZB	4
6	023.027	FLAT WASHER M10=11X30X2,5 6593 ZB	4
7	023.030	FLAT WASHER M10=10,5X20X2 6592 ZB	12
8	083.601	PIPE WIND WITH SPIRAL PVC DI.40	1
9	083.601	PIPE WIND WITH SPIRAL PVC DI.40	1
10	083.601	PIPE WIND WITH SPIRAL PVC DI.40	1
11	083.601	PIPE WIND WITH SPIRAL PVC DI.40	1
12	10027286	AIR SPRING ZB	4
13	37001507	PIPE GUIDE SPRING D.40	4
14	37002219	CENTRAL PIPES BRACKET	1
15	37002221	SIDE PIPES BRACKET 45-75 ROWS DISTANCE	2

S.N.

**S.N.**

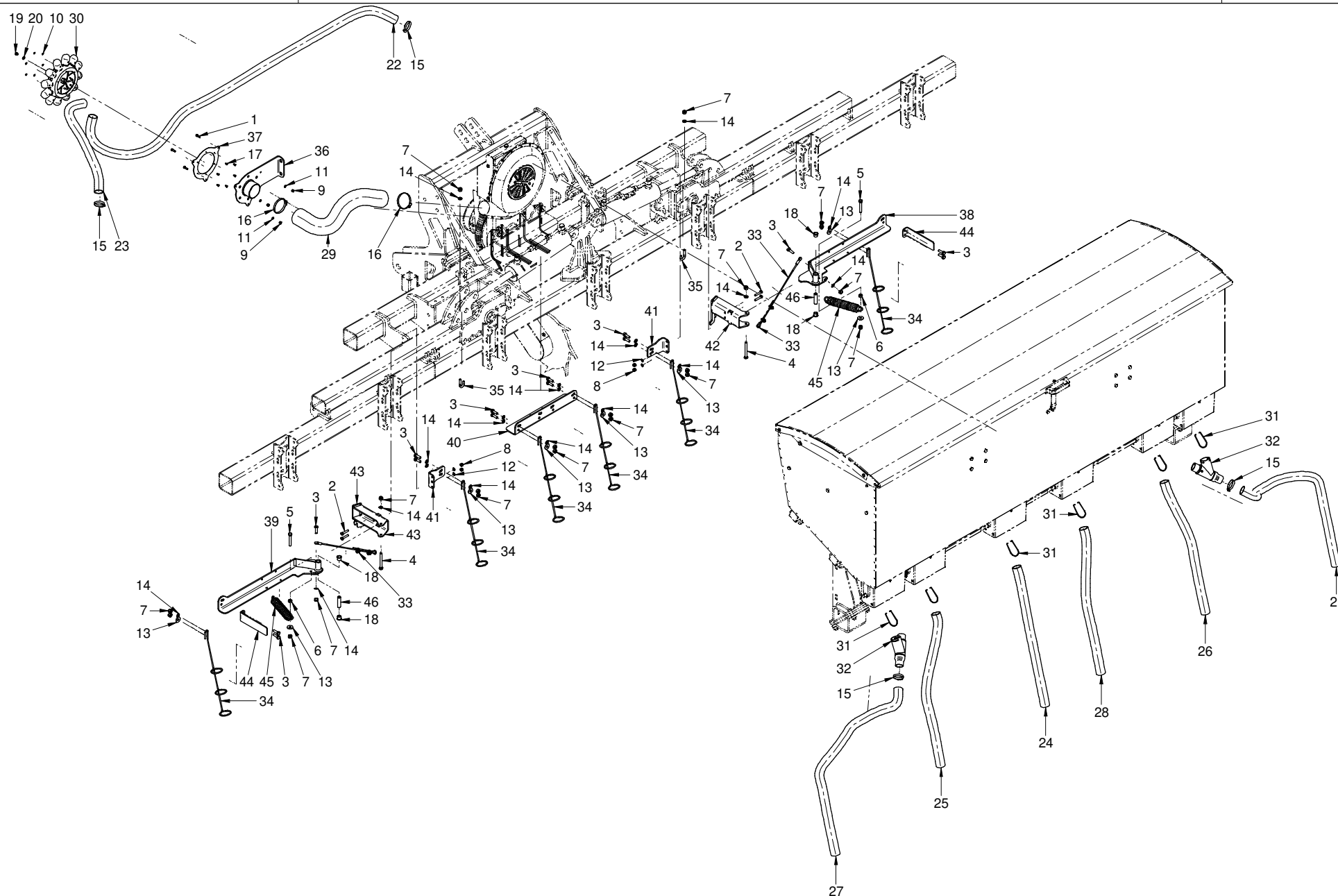
Pos.	Code	Description	Quantity
1	020.053	SCREW TE M 8X30 8.8 ISO 4017 ZB	4
2	020.054	SCREW TE M 8X35 8.8 5739 ZB	4
3	020.102	SCREW TE M 10X30 8.8 5739 ZB	12
4	021.112	SELF-LOCKING NUT M10 7473 ZB	12
5	021.114	SELF-LOCKING NUT M8 7473 ZB	8
6	023.020	FLAT WASHER M8=8,4X16X1,6 6592 ZB	8
7	023.027	FLAT WASHER M10=11X30X2,5 6593 ZB	6
8	023.030	FLAT WASHER M10=10,5X20X2 6592 ZB	18
9	083.601	PIPE WIND WITH SPIRAL PVC DI.40	1
10	083.601	PIPE WIND WITH SPIRAL PVC DI.40	1
11	083.601	PIPE WIND WITH SPIRAL PVC DI.40	1
12	083.601	PIPE WIND WITH SPIRAL PVC DI.40	1
13	083.601	PIPE WIND WITH SPIRAL PVC DI.40	1
14	083.601	PIPE WIND WITH SPIRAL PVC DI.40	1
15	10027286	AIR SPRING ZB	6
16	37001507	PIPE GUIDE SPRING D.40	6
17	37002219	CENTRAL PIPES BRACKET	1
18	37002220	SIDE PIPES BRACKET 45 ROWS DISTANCE	2
19	37002221	SIDE PIPES BRACKET 45-75 ROWS DISTANCE	2

S.N.

**S.N.**

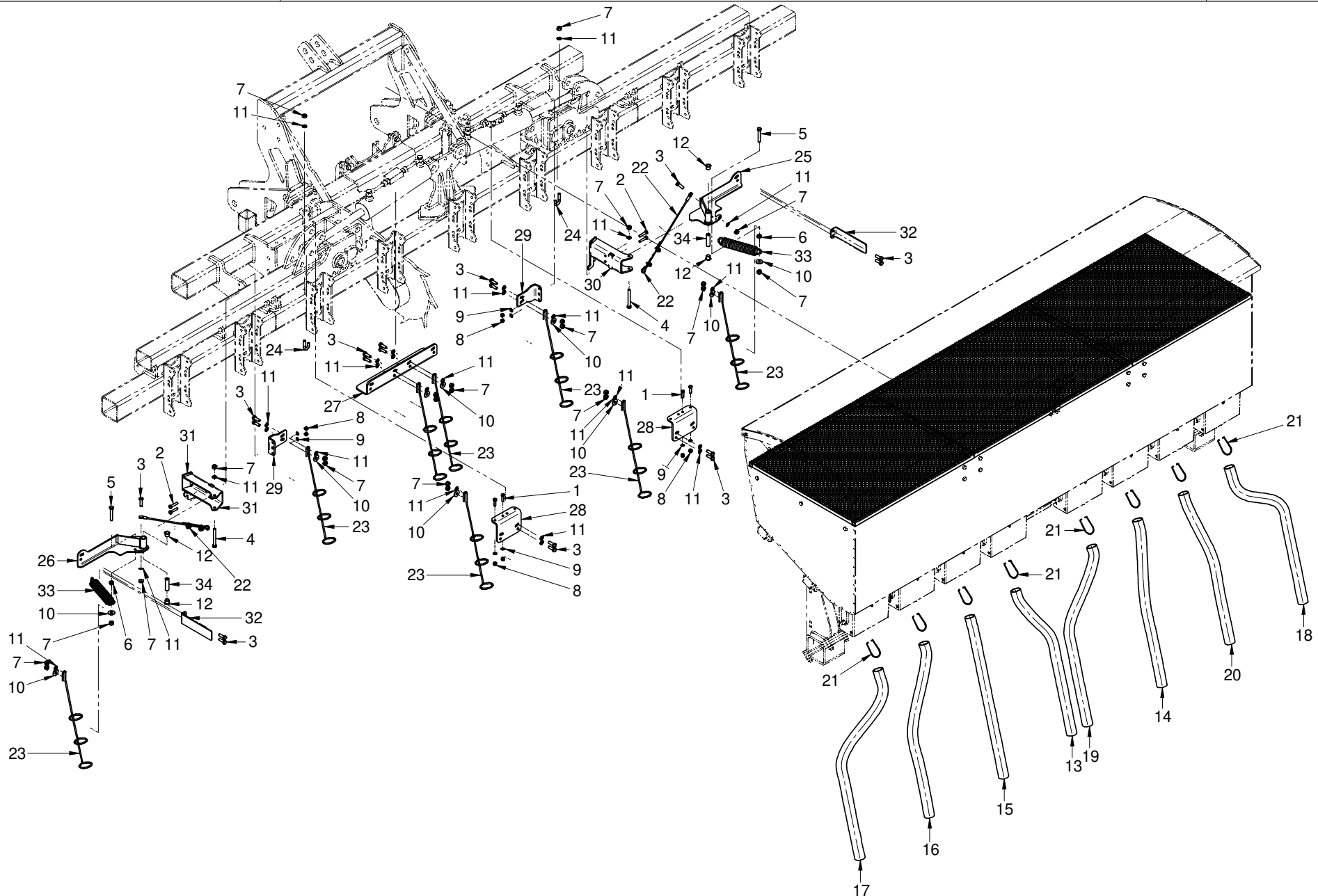
Pos.	Code	Description	Quantity
1	020.012	SCREW TE M 6X20 8.8 ISO 4017 ZB	3
2	020.055	SCREW TE M 8X40 8.8 5739 ZB	4
3	020.102	SCREW TE M 10X30 8.8 5739 ZB	14
4	020.110	SCREW TE M 10X90 8.8 5737 ZB	2
5	020.128	SCREW TE M 10X65 8.8 5739 ZB	2
6	021.004	NUT E 6S M 10 5588 ZB	2
7	021.112	SELF-LOCKING NUT M10 7473 ZB	20
8	021.114	SELF-LOCKING NUT M8 7473 ZB	4
9	021.115	SELF-LOCKING NUT M6 7473 ZB	3
10	023.007	FLAT WASHER M4=4,3X9X0,8 6592 ZB	6
11	023.010	FLAT WASHER M6=6,3X12X1,6 6592 ZB	3
12	023.020	FLAT WASHER M8=8,4X16X1,6 6592 ZB	4
13	023.027	FLAT WASHER M10=11X30X2,5 6593 ZB	8
14	023.030	FLAT WASHER M10=10,5X20X2 6592 ZB	20
15	025.612	SMALL BAND S. 32-50 3017 (SX 9C)	4
16	025.620	SMALL BAND S. 77-97 3017 (SX 9C)	2
17	029.001	TEAR RIVET UNI9200-A-4-9-P-ALMG5	6
18	052.350	FLANGE BUSHING MU TFF 16-24-17	4
19	058.110	PLUG CYLINDRICAL 1/8"	1
20	060.407	COPPER WASHER 1/8"	1
21	083.601	PIPE WIND WITH SPIRAL PVC DI.40	1
22	083.601	PIPE WIND WITH SPIRAL PVC DI.40	1
23	083.601	PIPE WIND WITH SPIRAL PVC DI.40	1
24	083.601	PIPE WIND WITH SPIRAL PVC DI.40	1
25	083.601	PIPE WIND WITH SPIRAL PVC DI.40	1
26	083.601	PIPE WIND WITH SPIRAL PVC DI.40	1
27	083.601	PIPE WIND WITH SPIRAL PVC DI.40	1
28	083.601	PIPE WIND WITH SPIRAL PVC DI.40	1
29	083.603	TUBE WITH SPIRAL PVC D.80	1
30	10003376	CONVEYOR 12 OUTPUTS PERFORATED	1
31	10027286	AIR SPRING ZB	6
32	10037084	COMPL. ASSY SLING + VENTURI D.50	2
33	37001122	COMPL. ASSY PIPE GUIDE CABLE	2
34	37001507	PIPE GUIDE SPRING D.40	6
35	37001508	FOUNDATION TIE ROD M10	2
36	37002200	WELD ASSY CONVEYOR BRACKET	1
37	37002202	LOCKING RING CONVEYOR	1
38	37002206	WELD ASSY PIPES GUIDE EXT. 6 ROWS 75 DX	1
39	37002207	WELD ASSY PIPES GUIDE EXT. 6 ROWS 75 SX	1
40	37002219	CENTRAL PIPES BRACKET	1

S.N.

**S.N.**

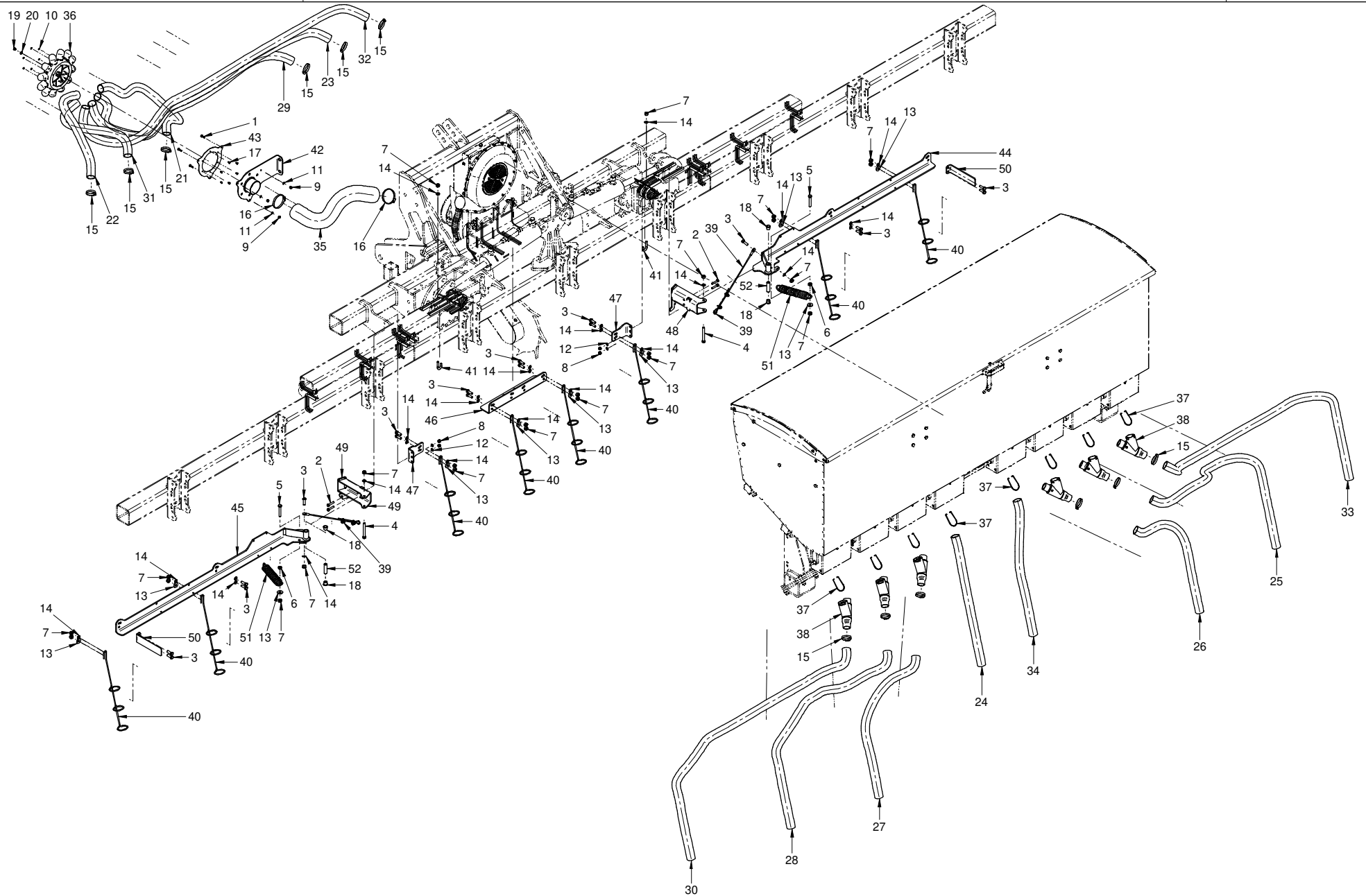
Pos.	Code	Description	Quantity
41	37002221	SIDE PIPES BRACKET 45-75 ROWS DISTANCE	2
42	37002222	WELD ASSY PIPES GUIDE SUPPORT RIGHT	1
43	37002223	WELD ASSY PIPES GUIDE SUPPORT LEFT	1
44	37002226	PIPES GUIDE LOCK	2
45	46006021	TRACTION SPRING 5,2X40X162.5 ZBD	2
46	47006001	BUSH FOR REAR ELEMENTS	2

S.N.

**S.N.**

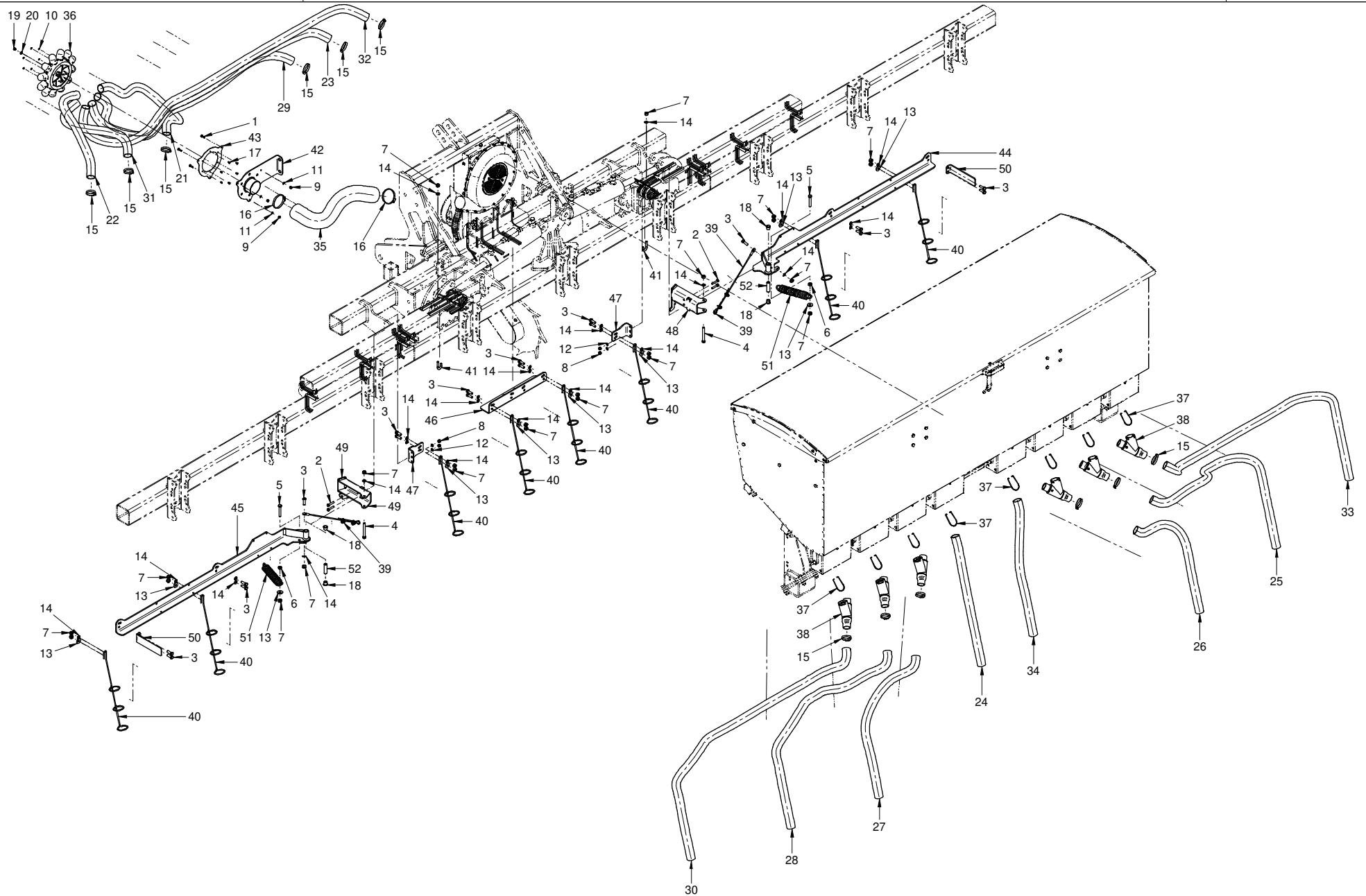
Pos.	Code	Description	Quantity
1	020.053	SCREW TE M 8X30 8.8 ISO 4017 ZB	4
2	020.055	SCREW TE M 8X40 8.8 5739 ZB	4
3	020.102	SCREW TE M 10X30 8.8 5739 ZB	18
4	020.110	SCREW TE M 10X90 8.8 5737 ZB	2
5	020.128	SCREW TE M 10X65 8.8 5739 ZB	2
6	021.004	NUT E 6S M 10 5588 ZB	2
7	021.112	SELF-LOCKING NUT M10 7473 ZB	24
8	021.114	SELF-LOCKING NUT M8 7473 ZB	8
9	023.020	FLAT WASHER M8=8,4X16X1,6 6592 ZB	8
10	023.027	FLAT WASHER M10=11X30X2,5 6593 ZB	10
11	023.030	FLAT WASHER M10=10,5X20X2 6592 ZB	26
12	052.350	FLANGE BUSHING MU TFF 16-24-17	4
13	083.601	PIPE WIND WITH SPIRAL PVC DI.40	1
14	083.601	PIPE WIND WITH SPIRAL PVC DI.40	1
15	083.601	PIPE WIND WITH SPIRAL PVC DI.40	1
16	083.601	PIPE WIND WITH SPIRAL PVC DI.40	1
17	083.601	PIPE WIND WITH SPIRAL PVC DI.40	1
18	083.601	PIPE WIND WITH SPIRAL PVC DI.40	1
19	083.601	PIPE WIND WITH SPIRAL PVC DI.40	1
20	083.601	PIPE WIND WITH SPIRAL PVC DI.40	1
21	10027286	AIR SPRING ZB	8
22	37001122	COMPL. ASSY PIPE GUIDE CABLE	2
23	37001507	PIPE GUIDE SPRING D.40	8
24	37001508	FOUNDATION TIE ROD M10	2
25	37002208	WELD ASSY PIPES GUIDE EXT. 8 ROWS 45 DX	1
26	37002209	WELD ASSY PIPES GUIDE EXT. 8 ROWS 45 SX	1
27	37002219	CENTRAL PIPES BRACKET	1
28	37002220	SIDE PIPES BRACKET 45 ROWS DISTANCE	2
29	37002221	SIDE PIPES BRACKET 45-75 ROWS DISTANCE	2
30	37002222	WELD ASSY PIPES GUIDE SUPPORT RIGHT	1
31	37002223	WELD ASSY PIPES GUIDE SUPPORT LEFT	1
32	37002226	PIPES GUIDE LOCK	2
33	46006021	TRACTION SPRING 5,2X40X162.5 ZBD	2
34	47006001	BUSH FOR REAR ELEMENTS	2

S.N.

**S.N.**

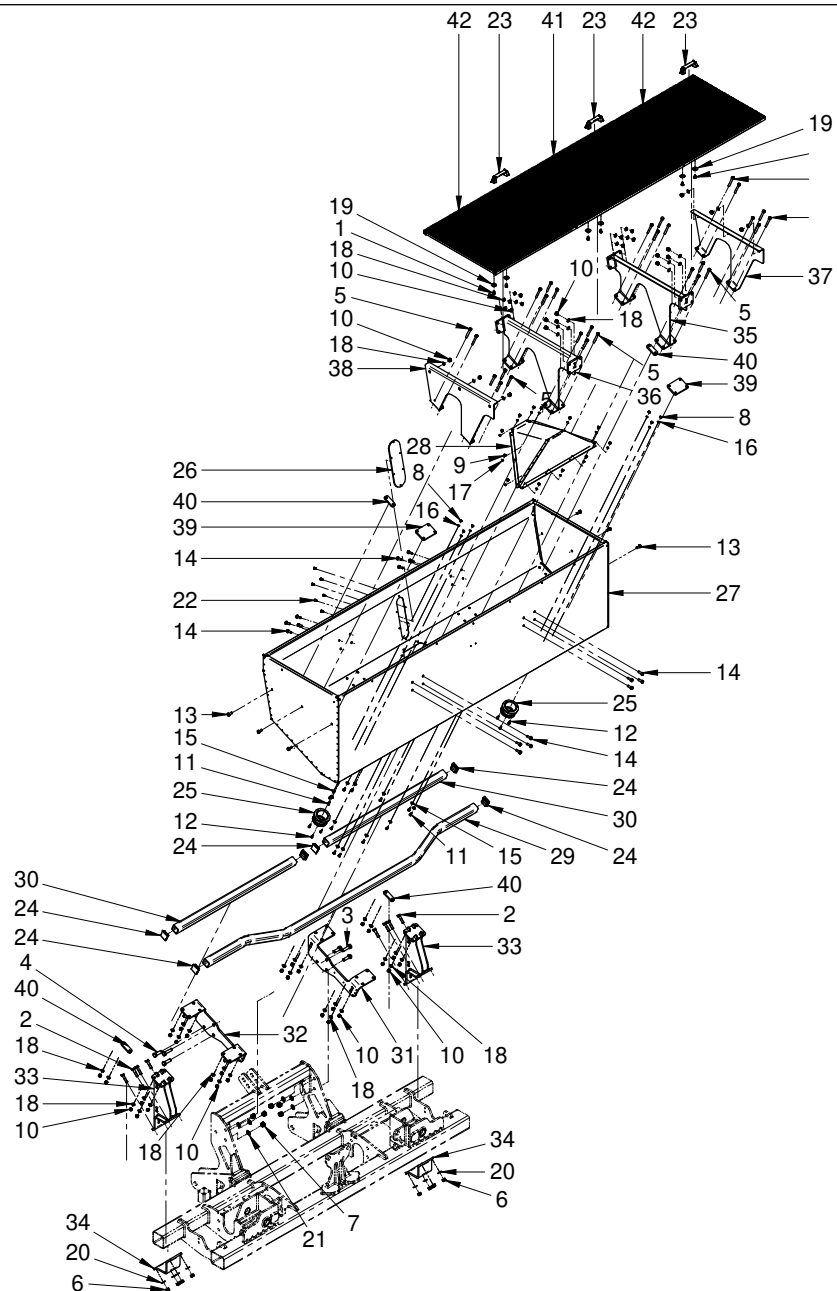
Pos.	Code	Description	Quantity
1	020.012	SCREW TE M 6X20 8.8 ISO 4017 ZB	3
2	020.055	SCREW TE M 8X40 8.8 5739 ZB	4
3	020.102	SCREW TE M 10X30 8.8 5739 ZB	18
4	020.110	SCREW TE M 10X90 8.8 5737 ZB	2
5	020.128	SCREW TE M 10X65 8.8 5739 ZB	2
6	021.004	NUT E 6S M 10 5588 ZB	2
7	021.112	SELF-LOCKING NUT M10 7473 ZB	24
8	021.114	SELF-LOCKING NUT M8 7473 ZB	4
9	021.115	SELF-LOCKING NUT M6 7473 ZB	3
10	023.007	FLAT WASHER M4=4,3X9X0,8 6592 ZB	6
11	023.010	FLAT WASHER M6=6,3X12X1,6 6592 ZB	3
12	023.020	FLAT WASHER M8=8,4X16X1,6 6592 ZB	4
13	023.027	FLAT WASHER M10=11X30X2,5 6593 ZB	10
14	023.030	FLAT WASHER M10=10,5X20X2 6592 ZB	26
15	025.612	SMALL BAND S. 32-50 3017 (SX 9C)	12
16	025.620	SMALL BAND S. 77-97 3017 (SX 9C)	2
17	029.001	TEAR RIVET UNI9200-A-4-9-P-ALMG5	6
18	052.350	FLANGE BUSHING MU TFF 16-24-17	4
19	058.110	PLUG CYLINDRICAL 1/8"	1
20	060.407	COPPER WASHER 1/8"	1
21	083.601	PIPE WIND WITH SPIRAL PVC DI.40	1
22	083.601	PIPE WIND WITH SPIRAL PVC DI.40	1
23	083.601	PIPE WIND WITH SPIRAL PVC DI.40	1
24	083.601	PIPE WIND WITH SPIRAL PVC DI.40	1
25	083.601	PIPE WIND WITH SPIRAL PVC DI.40	1
26	083.601	PIPE WIND WITH SPIRAL PVC DI.40	1
27	083.601	PIPE WIND WITH SPIRAL PVC DI.40	1
28	083.601	PIPE WIND WITH SPIRAL PVC DI.40	1
29	083.601	PIPE WIND WITH SPIRAL PVC DI.40	1
30	083.601	PIPE WIND WITH SPIRAL PVC DI.40	1
31	083.601	PIPE WIND WITH SPIRAL PVC DI.40	1
32	083.601	PIPE WIND WITH SPIRAL PVC DI.40	1
33	083.601	PIPE WIND WITH SPIRAL PVC DI.40	1
34	083.601	PIPE WIND WITH SPIRAL PVC DI.40	1
35	083.603	TUBE WITH SPIRAL PVC D.80	1
36	10003376	CONVEYOR 12 OUTPUTS PERFORATED	1
37	10027286	AIR SPRING ZB	8
38	10037084	COMPL. ASSY SLING + VENTURI D.50	6
39	37001122	COMPL. ASSY PIPE GUIDE CABLE	2
40	37001507	PIPE GUIDE SPRING D.40	8

S.N.

**S.N.**

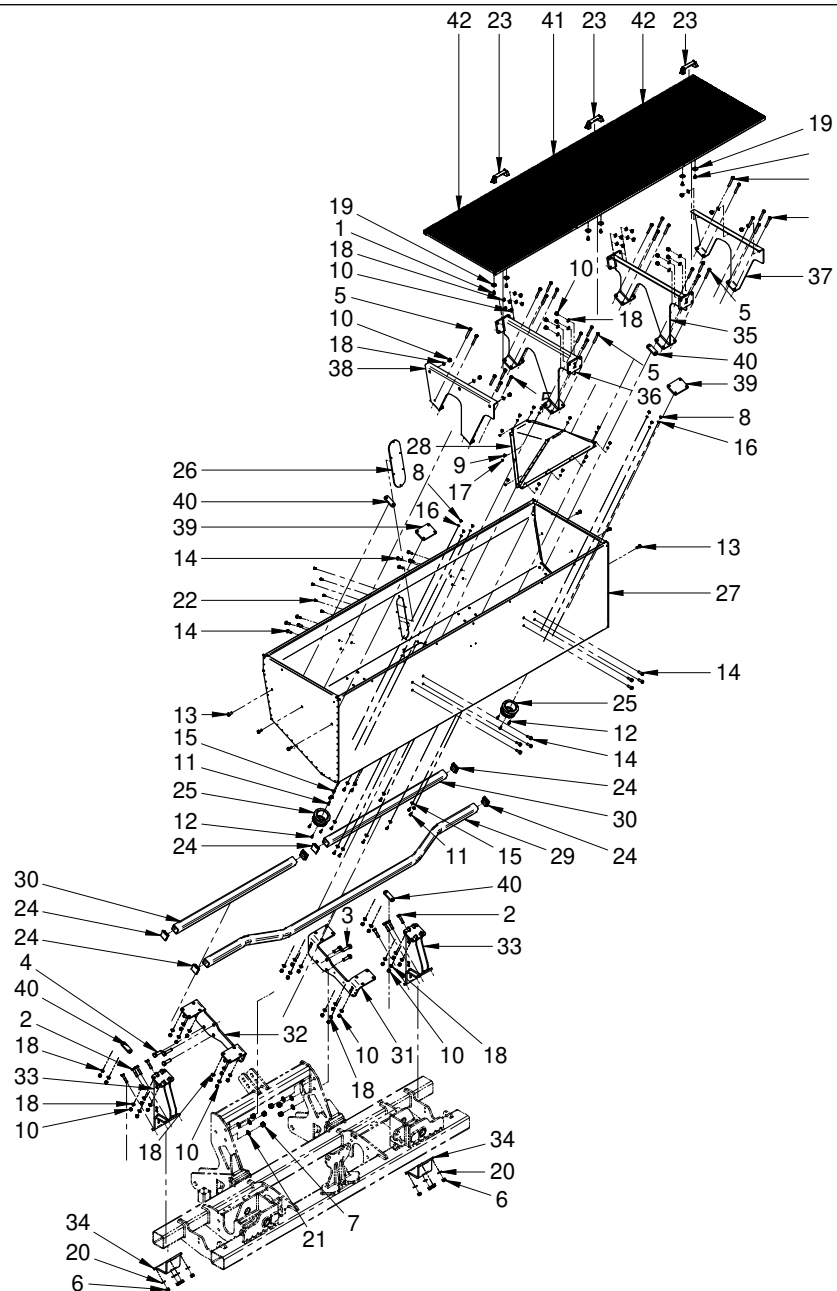
Pos.	Code	Description	Quantity
41	37001508	FOUNDATION TIE ROD M10	2
42	37002200	WELD ASSY CONVEYOR BRACKET	1
43	37002202	LOCKING RING CONVEYOR	1
44	37002204	WELD ASSY PIPES GUIDE EXT. 8 ROWS 75 DX	1
45	37002205	WELD ASSY PIPES GUIDE EXT. 8 ROWS 75 SX	1
46	37002219	CENTRAL PIPES BRACKET	1
47	37002221	SIDE PIPES BRACKET 45-75 ROWS DISTANCE	2
48	37002222	WELD ASSY PIPES GUIDE SUPPORT RIGHT	1
49	37002223	WELD ASSY PIPES GUIDE SUPPORT LEFT	1
50	37002226	PIPES GUIDE LOCK	2
51	46006021	TRACTION SPRING 5,2X40X162.5 ZBD	2
52	47006001	BUSH FOR REAR ELEMENTS	2

S.N.

**S.N.**

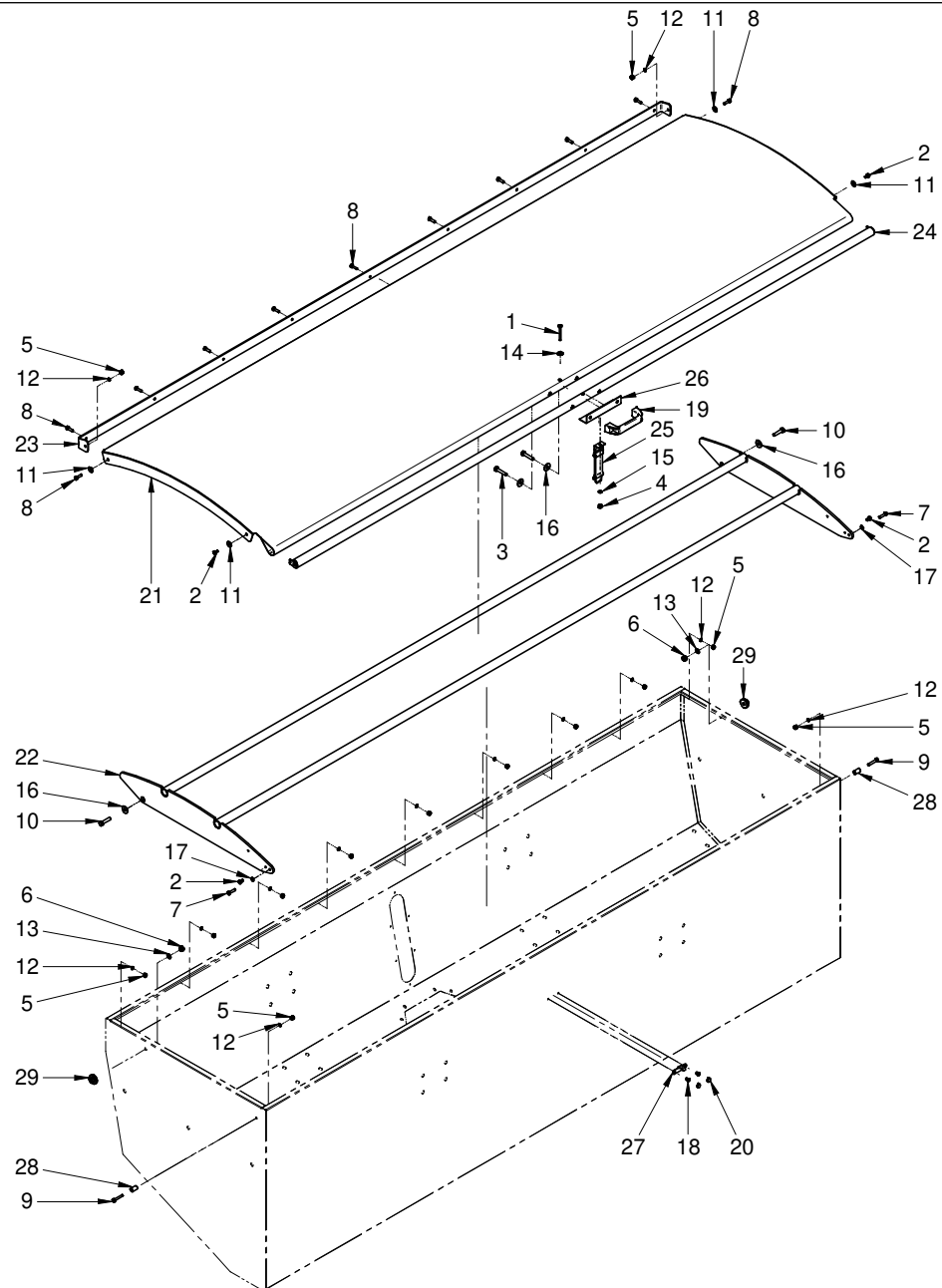
Pos.	Code	Description	Quantity
1	020.028	SCREW TE M 8X12 8.8 5739 ZB	6
2	020.155	SCREW TE M 12X50 8.8 ISO 4014 ZB	8
3	020.258	SCREW TE M 16X60 8.8 ISO 4014 ZB	2
4	020.265	SCREW TE M 16X50 8.8 ISO 4017 ZB	4
5	020.391	SCREW TE M 10X90 8.8 ISO4014 INOX	28
6	021.113	SELF-LOCKING NUT M12 7473 ZB	8
7	021.123	SELF-LOCKING NUT M14 7473 ZB	6
8	021.405	SELF-LOCKING NUT M 5 7473 INOX	6
9	021.406	SELF-LOCKING NUT M 6 7473 INOX	12
10	021.410	SELF-LOCKING NUT M 10 7473 INOX	50
11	021.816	SCREW TE M 6X20 8.8 5739 A2.70 INOX	12
12	021.820	SCREW TE M 5X20 8.8 5739 INOX	6
13	021.841	SCREW TE M 10X25 8.8 5739 A2.70 INOX	6
14	021.842	SCREW TE M 10X30 8.8 5739 A2.70 INOX	16
15	022.606	FLAT WASHER M6=6,5X18X1,5 9021 INOX	12
16	022.705	FLAT WASHER M5=5,3X10X1 6592 INOX	6
17	022.706	FLAT WASHER M6=6,3X12X1,6 6592 INOX	12
18	022.710	FLAT WASHER M10=10,5X20X2 6592 INOX	50
19	023.019	FLAT WASHER M8=9X32X2,5 6593 ZB	6
20	023.040	FLAT WASHER M12=13X24X2,5 6592 ZB	8
21	023.045	FLAT WASHER M16=17X30X3 6592 ZB	6
22	029.002	RIVET ALLUMINIUM D 4X15	6
23	095.050	HANDLE MFB 117 M8	3
24	095.080	PLUG FOR PIPE Q. 50X50 S.4 BLACK	6
25	10017138	WELD ASSY FERTILISER DISCHARGING TUBE	2
26	10027695	FERTILIZER DISPLAY	1
27	37001900	WELD ASSY TANK 8 ROWS 950 LT	1
28	37001905	WELD ASSY FAN SLIDE INOX	1
29	37001909	CURVED SQUARE TUBE 50X50 SP.4 L=2500	1
30	37001910	SQUARE TUBE 50X50 SP.4 L=1100	2
31	37001911	WELD ASSY FRONT FERTILIZER BRACKET DX	1
32	37001912	WELD ASSY FRONT FERTILIZER BRACKET SX	1
33	37001917	WELD ASSY REAR FERTILIZER BRACKET	2
34	37001922	SLING SQUARE TUBE 100X100	2
35	37001924	WELD ASSY CENTRAL CROSSBAR RIGHT	1
36	37001925	WELD ASSY CENTRAL CROSSBAR LEFT	1
37	37001930	EXTERNAL CROSSBAR RIGHT	1
38	37001931	EXTERNAL CROSSBAR LEFT	1
39	37001932	BLOCKING PLATE	2
40	37001933	BLOCKING SMALL PLATE	4

S.N.

**S.N.**

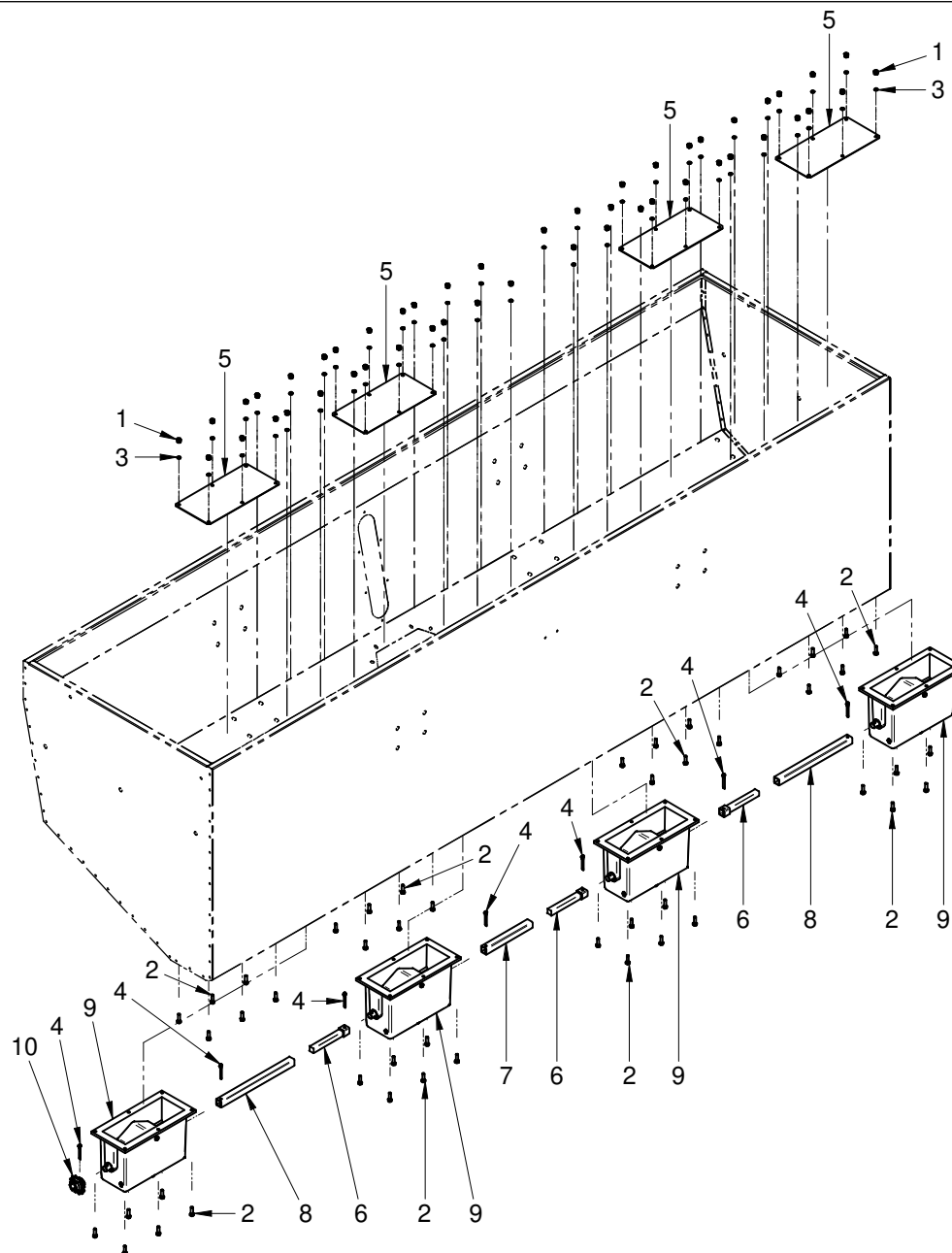
Pos.	Code	Description	Quantity
41	37001936	WELD ASSY SIEVE CENTRAL TANK	1
42	37001937	WELD ASSY SIEVE SIDE TANK	2

S.N.

**S.N.**

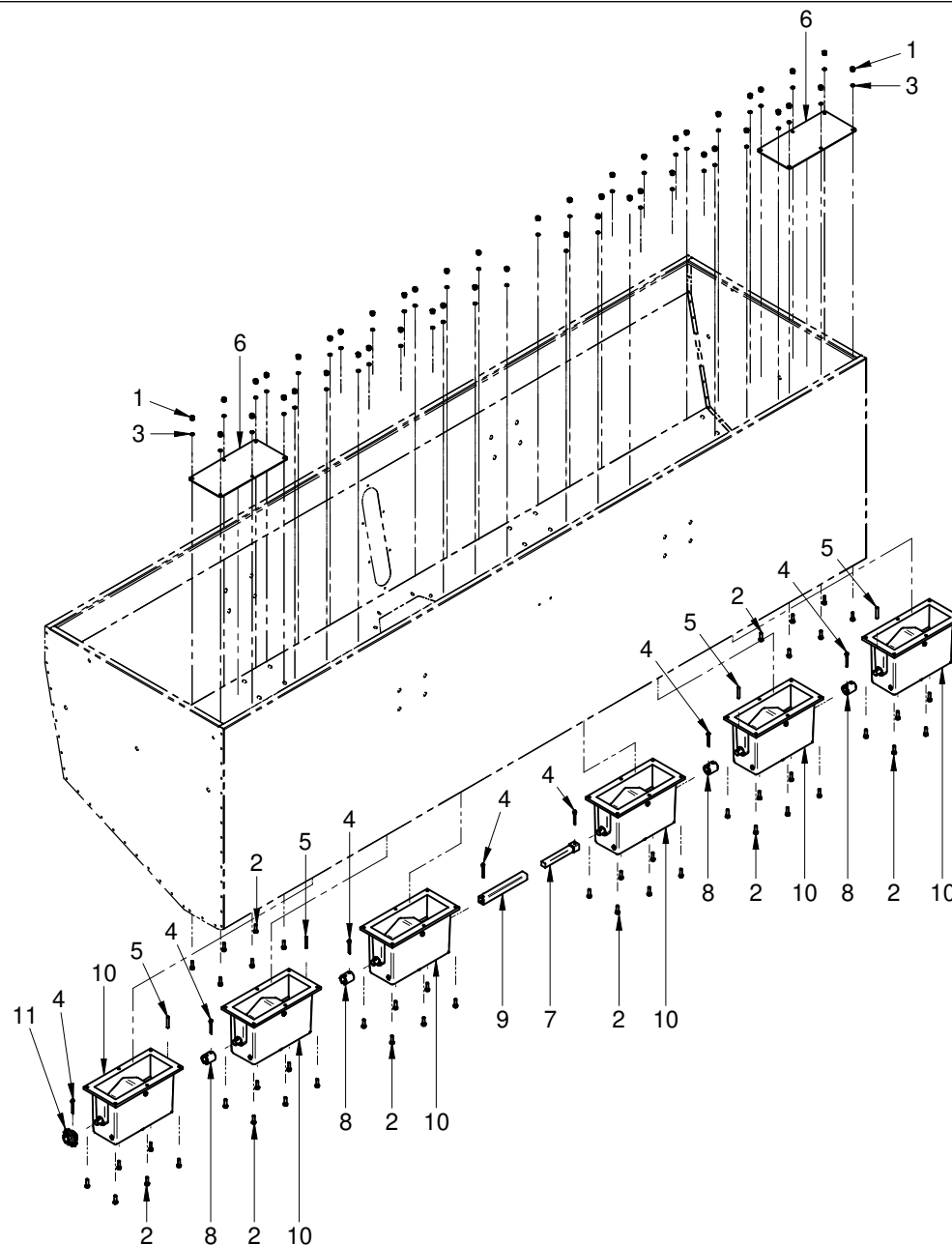
Pos.	Code	Description	Quantity
1	020.029	SCREW TE M 6X50 8.8 5737 ZB	1
2	020.033	SCREW TE M 6X10 8.8 5739 INOX	4
3	020.049	SCREW TE M 8X40 8.8 5737 ZB	2
4	021.115	SELF-LOCKING NUT M6 7473 ZB	1
5	021.406	SELF-LOCKING NUT M 6 7473 INOX	13
6	021.408	SELF-LOCKING NUT M 8 7473 INOX	2
7	021.815	SCREW TE M 6X25 8.8 5739 INOX	2
8	021.816	SCREW TE M 6X20 8.8 5739 A2.70 INOX	11
9	021.821	SCREW TE 8.8 M 6X35 4017 INOX	2
10	021.835	SCREW TE M 8X35 8.8 5739 A2.70 INOX	2
11	022.606	FLAT WASHER M6=6,5X18X1,5 9021 INOX	4
12	022.706	FLAT WASHER M6=6,3X12X1,6 6592 INOX	13
13	022.708	FLAT WASHER M8=8.4X16X1.6 6592 INOX	2
14	023.005	FLAT WASHER M6=6,6X18X2 6593 ZB	1
15	023.010	FLAT WASHER M6=6,3X12X1,6 6592 ZB	1
16	023.017	FLAT WASHER M8=9X24X2 6593 ZB	4
17	023.300	GROWER WASHER A M 6-D. 6,4 1751 ZBD	2
18	029.585	PULL RIVET UNI9200-A-5-11-P-ALMG5	2
19	095.050	HANDLE MFB 117 M8	1
20	095.265	HOOD	2
21	10047030	PVC TARPAULIN FOR TANK 725L	1
22	10047034	WELD ASSY FRAME FOLDING TARPAULIN 725L	1
23	10047050	SHEET METAL TARPAULIN ANCHORAGE 725L	1
24	10047060	WELD ASSY ANT.CROSSP. TARPAULIN L.2521,6	1
25	45004594	BELT	1
26	47004058	SHEET METAL HANDLE BRACKET	1
27	47004059	HOOKING BRACKET	1
28	51001772	PIN D.6-12 L=20 ZB	2
29	61004285	PIN D=16-30 S=8 ZB	2

S.N.

**S.N.**

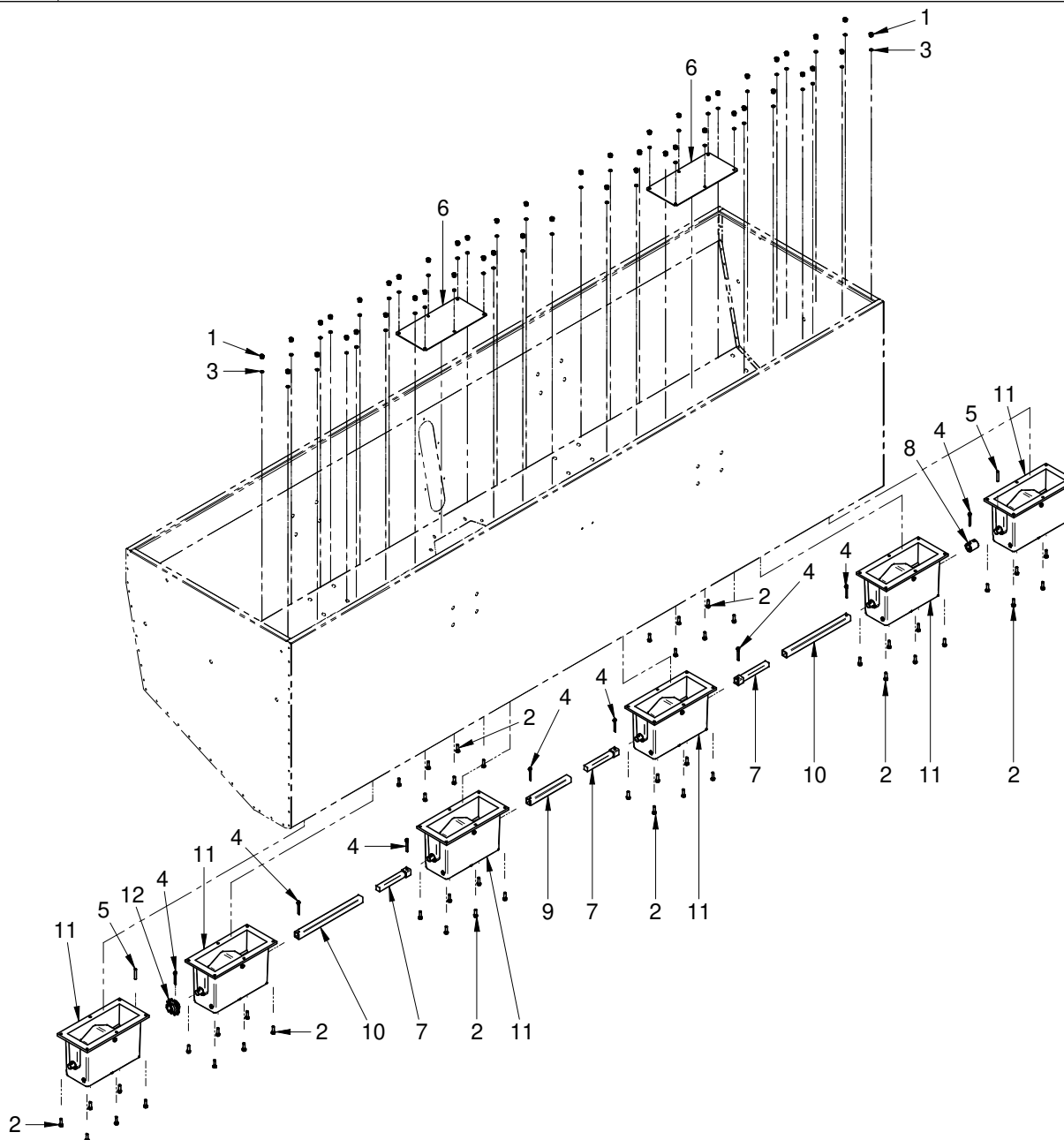
Pos.	Code	Description	Quantity
1	021.406	SELF-LOCKING NUT M 6 7473 INOX	48
2	021.816	SCREW TE M 6X20 8.8 5739 A2.70 INOX	48
3	022.706	FLAT WASHER M6=6,3X12X1,6 6592 INOX	48
4	024.236	COVER D. 5X32 ZB 1336	7
5	10027024	MIDDLE OUTPUT CLOSURE INOX	4
6	10027270	WELD ASSY TRANSM. INT. EXTENSION	3
7	10027298	EXTERNAL EXTENSION L=170	1
8	10027299	EXTERNAL EXTENSION L=270	2
9	10037134	COMPL. ASSY FERTILIZER DISTRIB."V.S.D50"	4
10	37001600	PINION Z=12 1/2"X3/16"	1

S.N.

**S.N.**

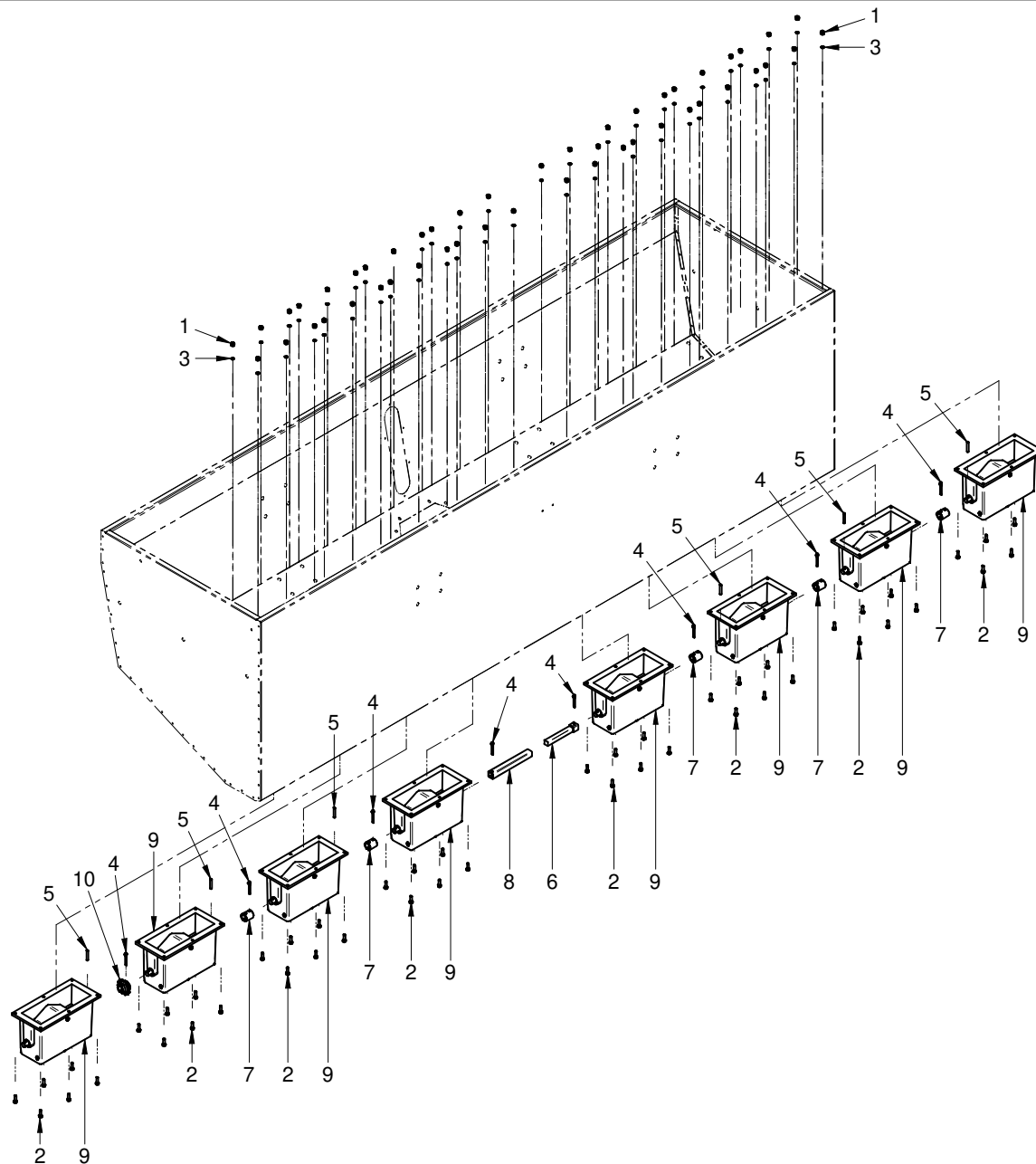
Pos.	Code	Description	Quantity
1	021.406	SELF-LOCKING NUT M 6 7473 INOX	48
2	021.816	SCREW TE M 6X20 8.8 5739 A2.70 INOX	48
3	022.706	FLAT WASHER M6=6,3X12X1,6 6592 INOX	48
4	024.236	COVER D. 5X32 ZB 1336	7
5	024.335	ELASTIC PIN D. 6X35 6873 INOX	4
6	10027024	MIDDLE OUTPUT CLOSURE INOX	2
7	10027270	WELD ASSY TRANSM. INT. EXTENSION	1
8	10027278	BODY JOINT BUSHING ZB	4
9	10027298	EXTERNAL EXTENSION L=170	1
10	10037134	COMPL. ASSY FERTILIZER DISTRIB."V.S.D50"	6
11	37001600	PINION Z=12 1/2"X3/16"	1

S.N.

**S.N.**

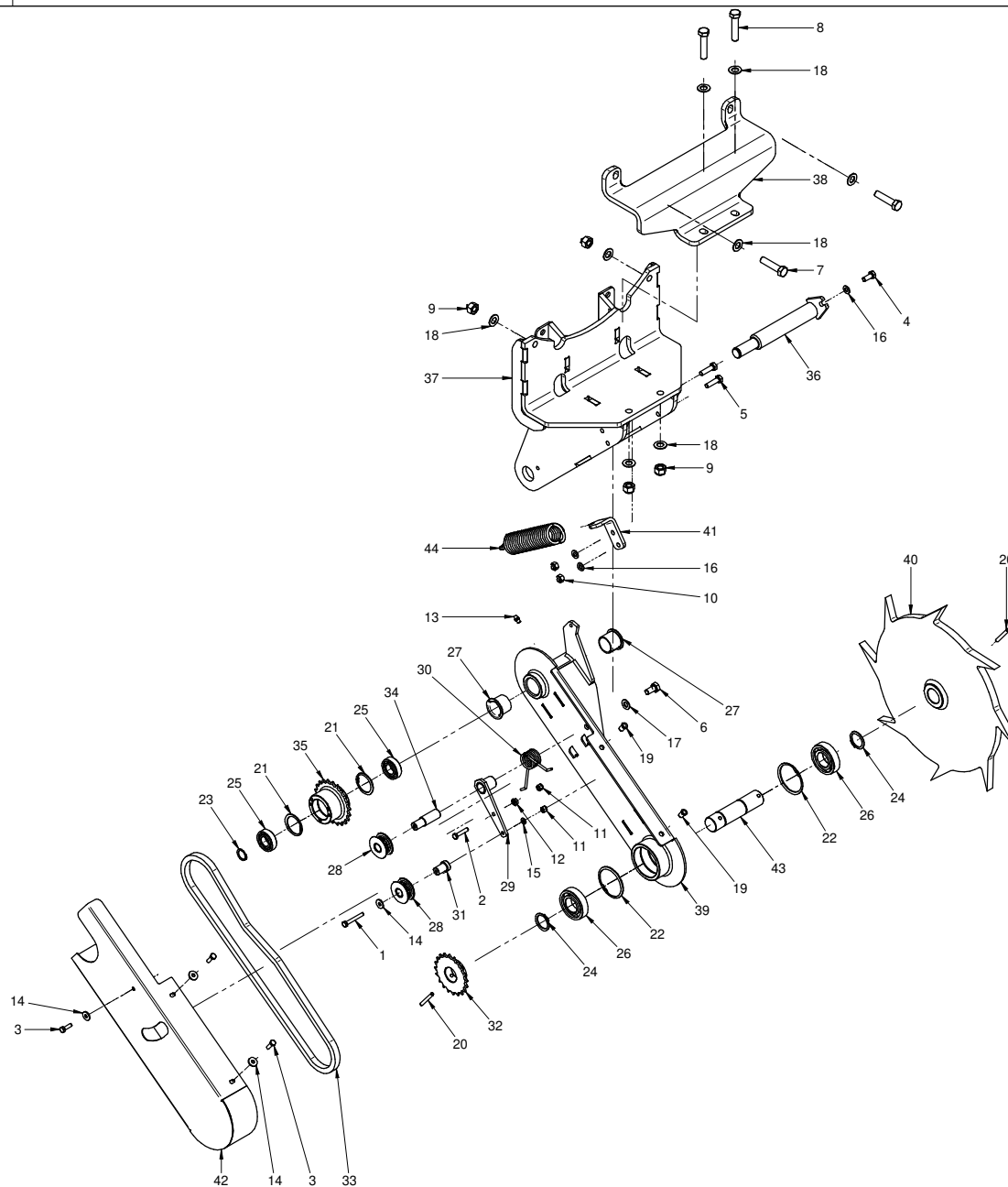
Pos.	Code	Description	Quantity
1	021.406	SELF-LOCKING NUT M 6 7473 INOX	48
2	021.816	SCREW TE M 6X20 8.8 5739 A2.70 INOX	48
3	022.706	FLAT WASHER M6=6,3X12X1,6 6592 INOX	48
4	024.236	COVER D. 5X32 ZB 1336	8
5	024.335	ELASTIC PIN D. 6X35 6873 INOX	2
6	10027024	MIDDLE OUTPUT CLOSURE INOX	2
7	10027270	WELD ASSY TRANSM. INT. EXTENSION	3
8	10027278	BODY JOINT BUSHING ZB	1
9	10027298	EXTERNAL EXTENSION L=170	1
10	10027299	EXTERNAL EXTENSION L=270	2
11	10037134	COMPL. ASSY FERTILIZER DISTRIB."V.S.D50"	6
12	37001600	PINION Z=12 1/2"X3/16"	1

S.N.

**S.N.**

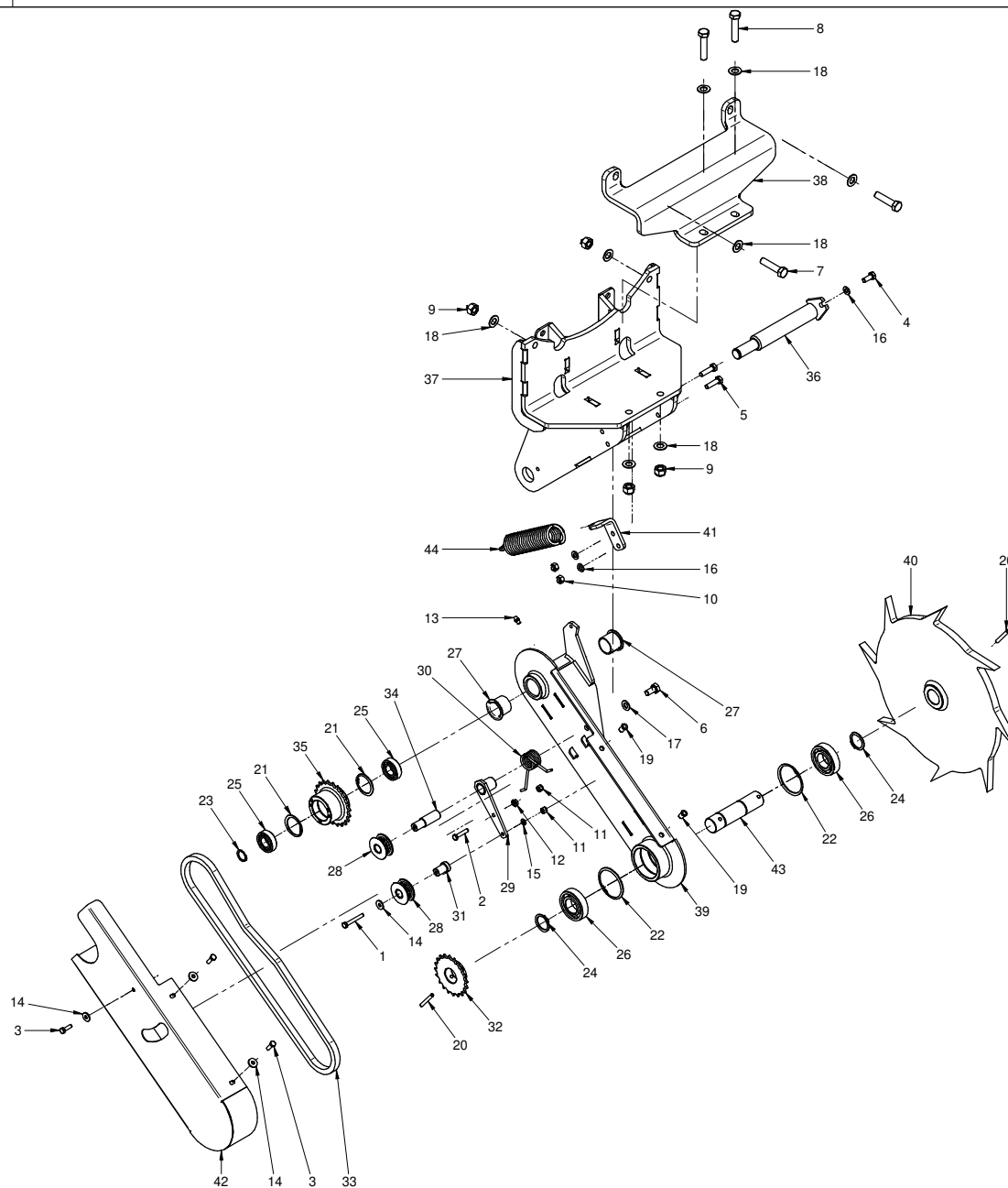
Pos.	Code	Description	Quantity
1	021.406	SELF-LOCKING NUT M 6 7473 INOX	48
2	021.816	SCREW TE M 6X20 8.8 5739 A2.70 INOX	48
3	022.706	FLAT WASHER M6=6,3X12X1,6 6592 INOX	48
4	024.236	COVER D. 5X32 ZB 1336	8
5	024.335	ELASTIC PIN D. 6X35 6873 INOX	6
6	10027270	WELD ASSY TRANSM. INT. EXTENSION	1
7	10027278	BODY JOINT BUSHING ZB	5
8	10027298	EXTERNAL EXTENSION L=170	1
9	10037134	COMPL. ASSY FERTILIZER DISTRIB."V.S.D50"	8
10	37001600	PINION Z=12 1/2"X3/16"	1

S.N.

**S.N.**

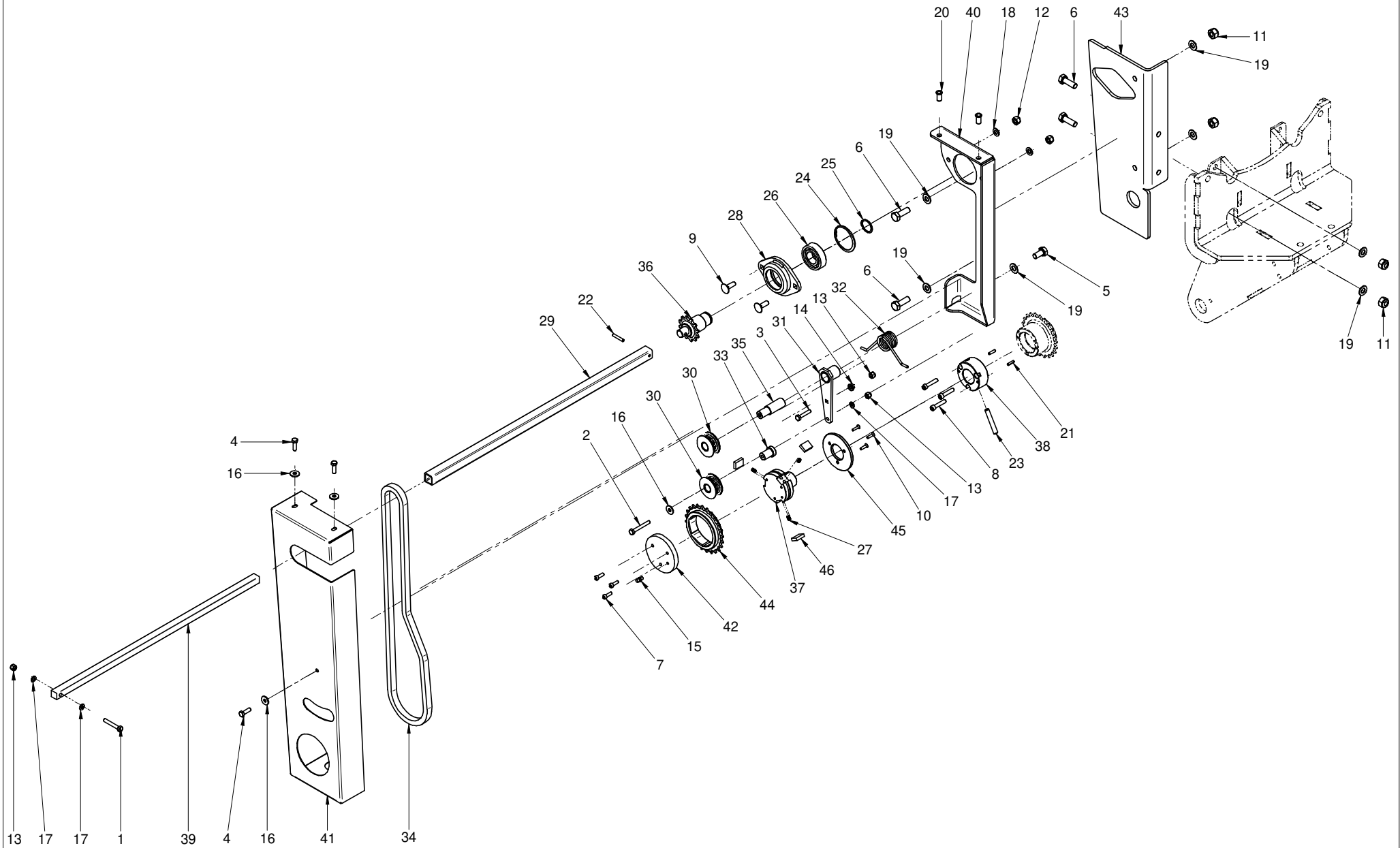
Pos.	Code	Description	Quantity
1	020.007	SCREW TE M 6X45 8.8 5739 ZB	1
2	020.008	SCREW TE M 6X30 8.8 ISO 4014 ZB	1
3	020.012	SCREW TE M 6X20 8.8 ISO 4017 ZB	3
4	020.051	SCREW TE M 8X20 8.8 5739 ZB	1
5	020.053	SCREW TE M 8X30 8.8 ISO 4017 ZB	2
6	020.100	SCREW TE M 10X20 8.8 5739 ZB	1
7	020.155	SCREW TE M 12X50 8.8 ISO 4014 ZB	2
8	020.157	SCREW TE M 12X55 8.8 5737 ZB	2
9	021.113	SELF-LOCKING NUT M12 7473 ZB	4
10	021.114	SELF-LOCKING NUT M8 7473 ZB	2
11	021.115	SELF-LOCKING NUT M6 7473 ZB	2
12	021.505	KNURLED NUT AND FLANGE M 6 D.6923 ZB	1
13	022.001	GREASE DEVICE M6X1 UNI 7663A	1
14	023.005	FLAT WASHER M6=6,6X18X2 6593 ZB	4
15	023.010	FLAT WASHER M6=6,3X12X1,6 6592 ZB	1
16	023.020	FLAT WASHER M8=8,4X16X1,6 6592 ZB	3
17	023.030	FLAT WASHER M10=10,5X20X2 6592 ZB	1
18	023.040	FLAT WASHER M12=13X24X2,5 6592 ZB	8
19	023.921	RIVET TC UNI 9201-A M6-8	2
20	024.346	ELASTIC PIN D. 6X50 6873	2
21	028.001	RETAINING RING INT. D. 42 7437/472	2
22	028.015	RETAINING RING INT. D. 62 7437/472	2
23	028.105	RETAINING RING EXT. D. 20 7435/471	1
24	028.255	RETAINING RING EXT. D. 30 7436 (HEAVY)	2
25	050.001	BEARING 6004-2RS	2
26	050.103	BEARING 30X62X13 6206-2RS1	2
27	052.420	BUSHING WITH NECK MU-B 30-34-42-26	2
28	10027477	CHAIN TIGHTENER ROLLER Z=10 1/2"X5/16"	2
29	10041558	WELD ASSY TENSIONER L=95	1
30	30031618	SPRING TIGHTENER ZB	1
31	30031640	RUNNER PIN D. 20X27,5 ZB	1
32	37001503	WHEEL PINION Z=20 1/2"X3/16"	1
33	37001506	CHAIN ISO 083-1 1/2"X3/16" 84 LINKS	1
34	37001604	TIGHTENER PIN D.18X61	1
35	37001611	WELD ASSY PINION Z=22 1/2"X3/16"	1
36	37001613	WELD ASSY MONOARM ROTATION PLUG	1
37	37002008	WELD ASSY MONOARM BRACKET	1
38	37002014	LOCKING BRACKET PLATE	1
39	37002016	COMPL. ASSY WHEEL MONOARM	1
40	37002022	WELD ASSY WHEEL D.320	1

S.N.

**S.N.**

Pos.	Code	Description	Quantity
41	37002025	SPRING BRACKET	1
42	37002026	WELD ASSY WHEEL BRACKET COVER PLATE	1
43	46002651	WHEEL SHAFT	1
44	46006021	TRACTION SPRING 5,2X40X162.5 ZBD	1

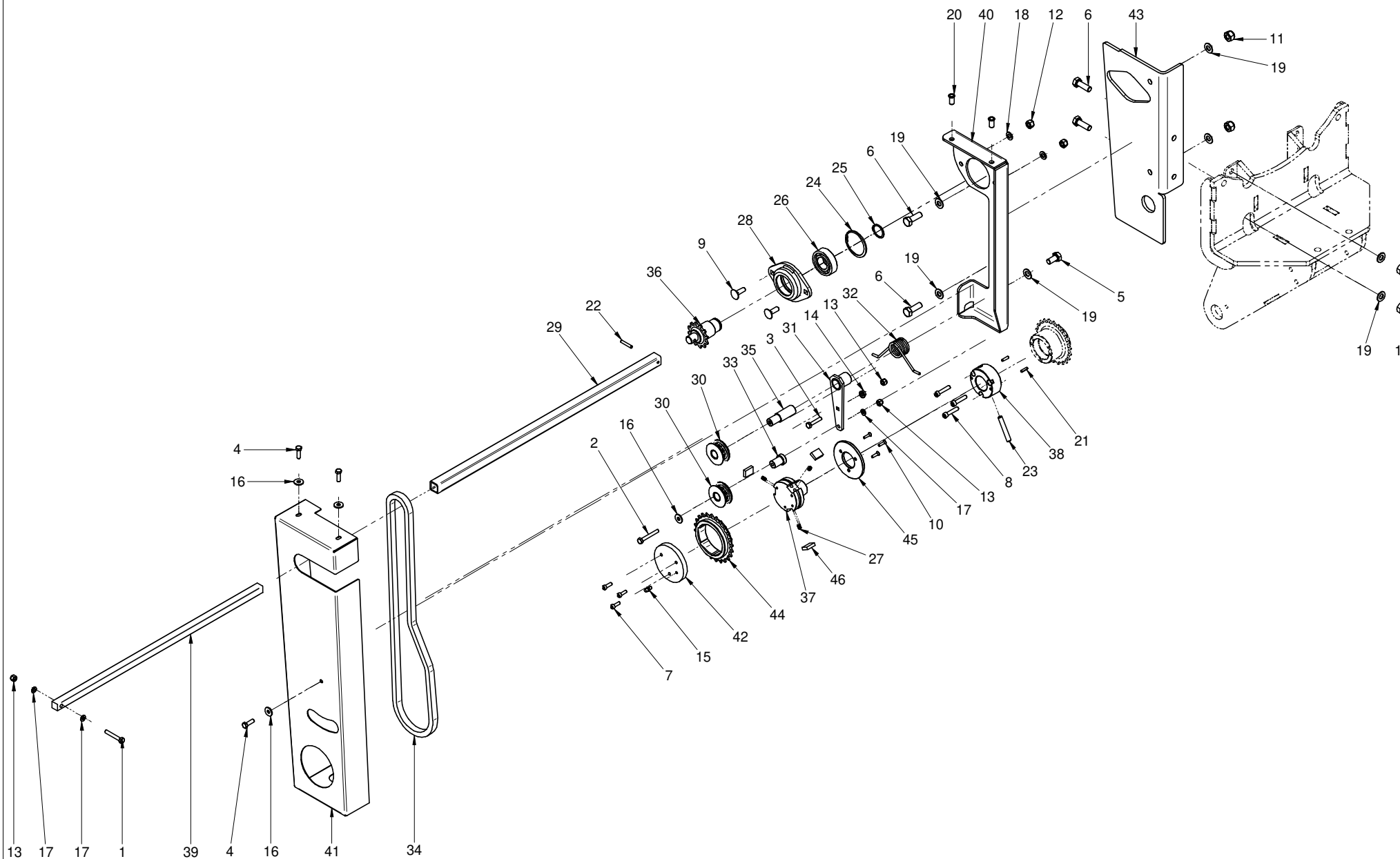
S.N.



S.N.

Pos.	Code	Description	Quantity
1	020.006	SCREW TE M 6X40 8.8 5737 ZB	1
2	020.007	SCREW TE M 6X45 8.8 5739 ZB	1
3	020.008	SCREW TE M 6X30 8.8 ISO 4014 ZB	1
4	020.012	SCREW TE M 6X20 8.8 ISO 4017 ZB	3
5	020.100	SCREW TE M 10X20 8.8 5739 ZB	1
6	020.102	SCREW TE M 10X30 8.8 5739 ZB	4
7	020.493	SCREW TCEI M 5X16 8.8 5931 ZB	3
8	020.503	SCREW TCEI M 6X30 8.8 ISO 4762 ZB	3
9	020.601	SCREW TTQST M 8X25 4.6 5731 ZB	2
10	020.626	SCREW TSPEI M 5X16 10.9 5933 ZB	3
11	021.112	SELF-LOCKING NUT M10 7473 ZB	4
12	021.114	SELF-LOCKING NUT M8 7473 ZB	2
13	021.115	SELF-LOCKING NUT M6 7473 ZB	3
14	021.505	KNURLED NUT AND FLANGE M 6 D.6923 ZB	1
15	022.001	GREASE DEVICE M6X1 UNI 7663A	1
16	023.005	FLAT WASHER M6=6,6X18X2 6593 ZB	4
17	023.010	FLAT WASHER M6=6,3X12X1,6 6592 ZB	3
18	023.020	FLAT WASHER M8=8,4X16X1,6 6592 ZB	2
19	023.030	FLAT WASHER M10=10,5X20X2 6592 ZB	7
20	023.925	RIVET TC UNI 9201-B M6-8	2
21	024.305	ELASTIC PIN D. 4X16 6873 NE	2
22	024.323	ELASTIC PIN D. 5X28 6873 NE	1
23	024.361	ELASTIC PIN D. 8X50 6873 NE	1
24	028.009	RETAINING RING INT. D. 52 7437/472	1
25	028.108	RETAINING RING EXT. D. 25 7435/471	1
26	050.010	BEARING 6205-2RS	1
27	10022932	SPRING	3
28	10027126	WELD ASSY BEARING BRACKET 6205	1
29	10027260	WELD ASSY FERTIL. CENT. EXTENSION	1
30	10027477	CHAIN TIGHTENER ROLLER Z=10 1/2"X5/16"	2
31	10041558	WELD ASSY TENSIONER L=95	1
32	30031618	SPRING TIGHTENER ZB	1
33	30031640	RUNNER PIN D. 20X27,5 ZB	1
34	37001505	CHAIN ISO 083-1 1/2"X3/16" 90 LINKS	1
35	37001604	TIGHTENER PIN D.18X61	1
36	37001605	WELD ASSY PINION Z=12 1/2"X3/16"	1
37	37001607	FREE WHEEL SHAFT	1
38	37001608	FREE WHEEL BRACKET	1
39	37001609	TRAF. SQUARE 15X15 L=550	1
40	37002004	INPUT TRANSMISSION RETURN PLATE	1

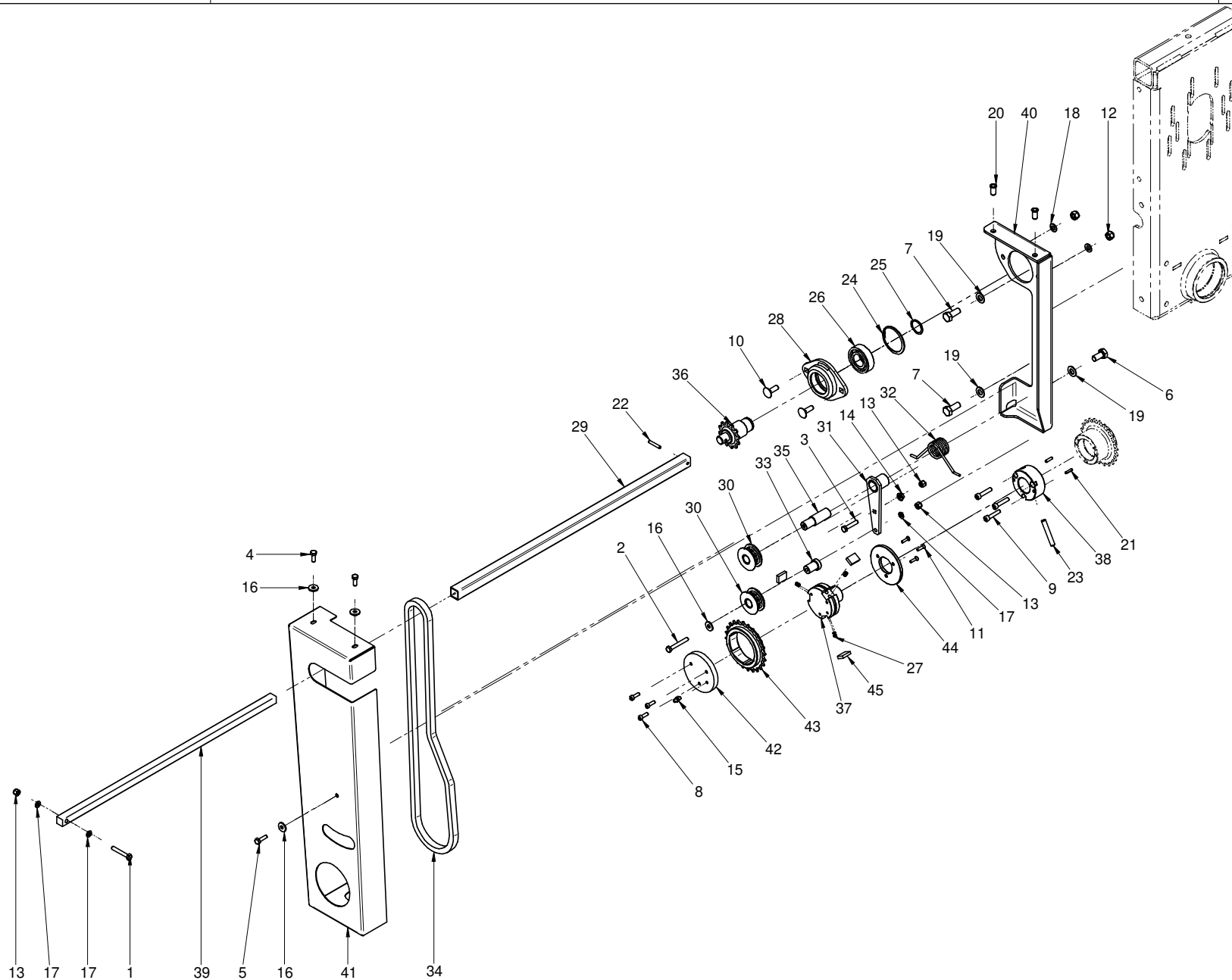
S.N.



S.N.

Pos.	Code	Description	Quantity
41	37002005	INPUT TRANSMISSION COVER PLATE	1
42	37002006	PINION EXTERNAL FLANGE	1
43	37002007	INPUT TRANSMISSION BRACKET	1
44	46002102	WELD ASSY UPPER PINION	1
45	46002106	FLANGE	1
46	62003067	FREE WHEEL TINE	3

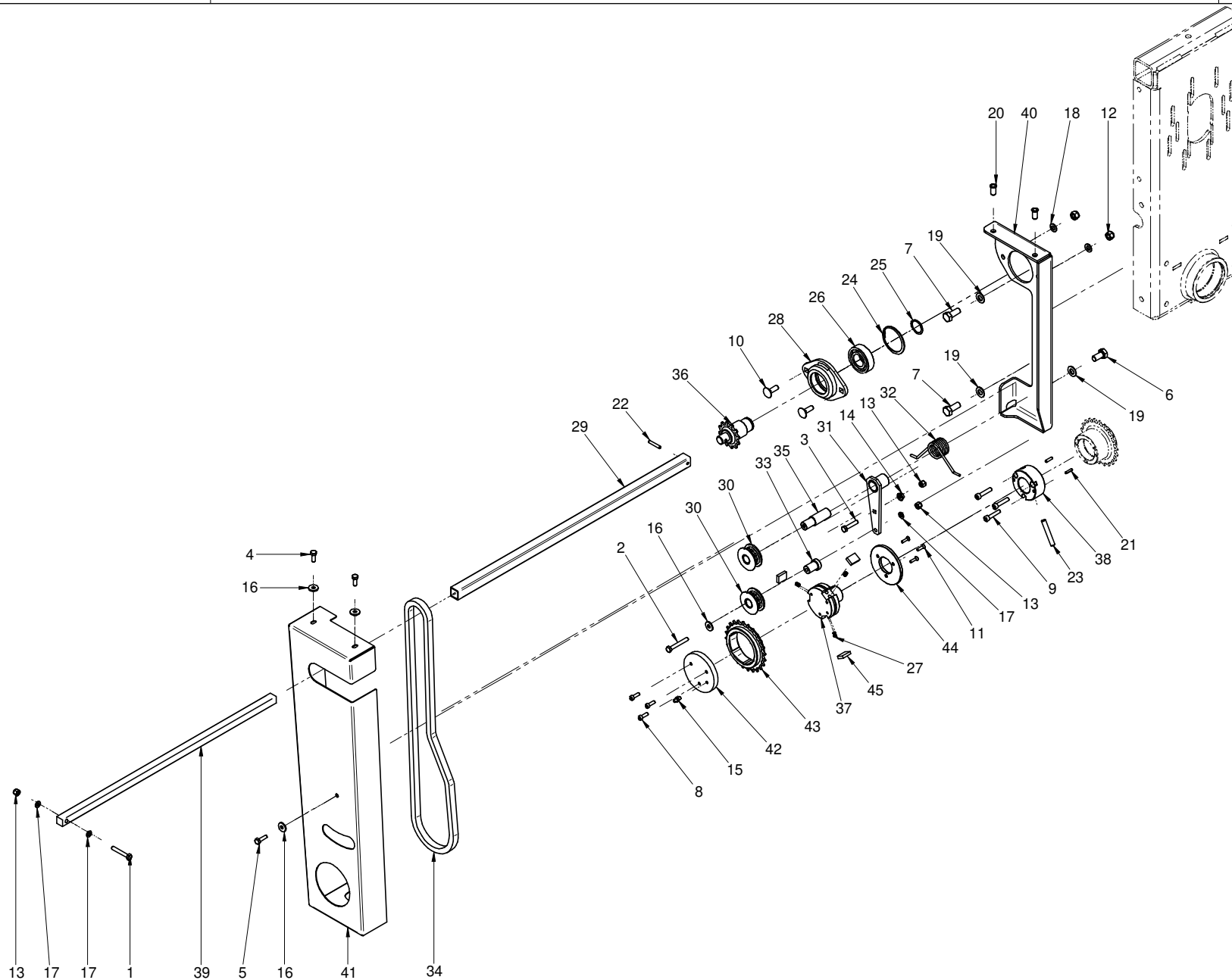
S.N.



S.N.

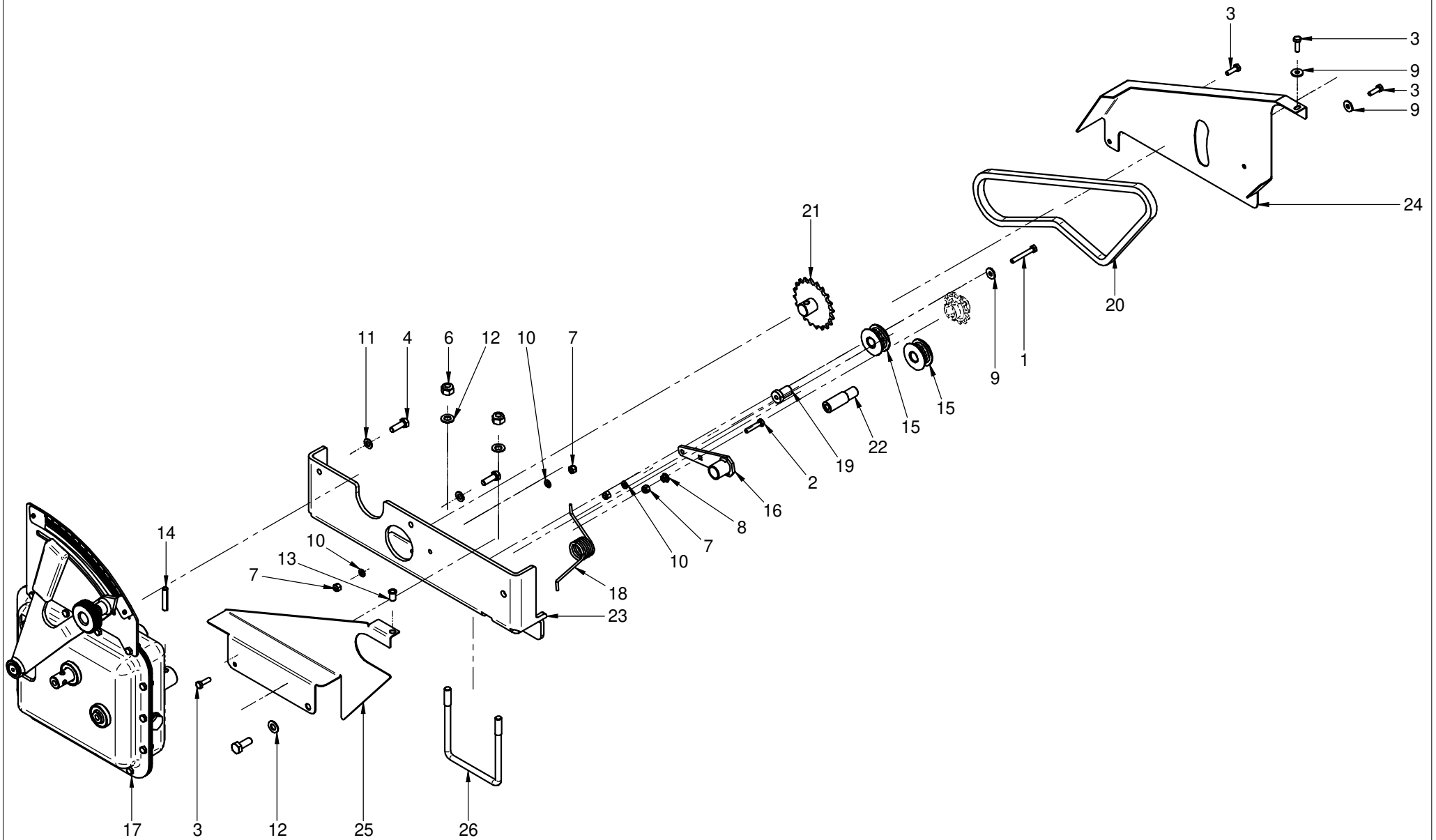
Pos.	Code	Description	Quantity
1	020.006	SCREW TE M 6X40 8.8 5737 ZB	1
2	020.007	SCREW TE M 6X45 8.8 5739 ZB	1
3	020.008	SCREW TE M 6X30 8.8 ISO 4014 ZB	1
4	020.011	SCREW TE M 6X16 8.8 5739 ZB	2
5	020.012	SCREW TE M 6X20 8.8 ISO 4017 ZB	1
6	020.100	SCREW TE M 10X20 8.8 5739 ZB	1
7	020.101	SCREW TE M 10X25 8.8 5739 ZB	2
8	020.493	SCREW TCEI M 5X16 8.8 5931 ZB	3
9	020.503	SCREW TCEI M 6X30 8.8 ISO 4762 ZB	3
10	020.601	SCREW TTQST M 8X25 4.6 5731 ZB	2
11	020.626	SCREW TSPEI M 5X16 10.9 5933 ZB	3
12	021.114	SELF-LOCKING NUT M8 7473 ZB	2
13	021.115	SELF-LOCKING NUT M6 7473 ZB	3
14	021.505	KNURLED NUT AND FLANGE M 6 D.6923 ZB	1
15	022.001	GREASE DEVICE M6X1 UNI 7663A	1
16	023.005	FLAT WASHER M6=6,6X18X2 6593 ZB	4
17	023.010	FLAT WASHER M6=6,3X12X1,6 6592 ZB	3
18	023.020	FLAT WASHER M8=8,4X16X1,6 6592 ZB	2
19	023.030	FLAT WASHER M10=10,5X20X2 6592 ZB	3
20	023.925	RIVET TC UNI 9201-B M6-8	2
21	024.305	ELASTIC PIN D. 4X16 6873 NE	2
22	024.323	ELASTIC PIN D. 5X28 6873 NE	1
23	024.361	ELASTIC PIN D. 8X50 6873 NE	1
24	028.009	RETAINING RING INT. D. 52 7437/472	1
25	028.108	RETAINING RING EXT. D. 25 7435/471	1
26	050.010	BEARING 6205-2RS	1
27	10022932	SPRING	3
28	10027126	WELD ASSY BEARING BRACKET 6205	1
29	10027260	WELD ASSY FERTIL. CENT. EXTENSION	1
30	10027477	CHAIN TIGHTENER ROLLER Z=10 1/2"X5/16"	2
31	10041558	WELD ASSY TENSIONER L=95	1
32	30031618	SPRING TIGHTENER ZB	1
33	30031640	RUNNER PIN D. 20X27,5 ZB	1
34	37001505	CHAIN ISO 083-1 1/2"X3/16" 90 LINKS	1
35	37001604	TIGHTENER PIN D.18X61	1
36	37001605	WELD ASSY PINION Z=12 1/2"X3/16"	1
37	37001607	FREE WHEEL SHAFT	1
38	37001608	FREE WHEEL BRACKET	1
39	37001609	TRAF. SQUARE 15X15 L=550	1
40	37002004	INPUT TRANSMISSION RETURN PLATE	1

S.N.

**S.N.**

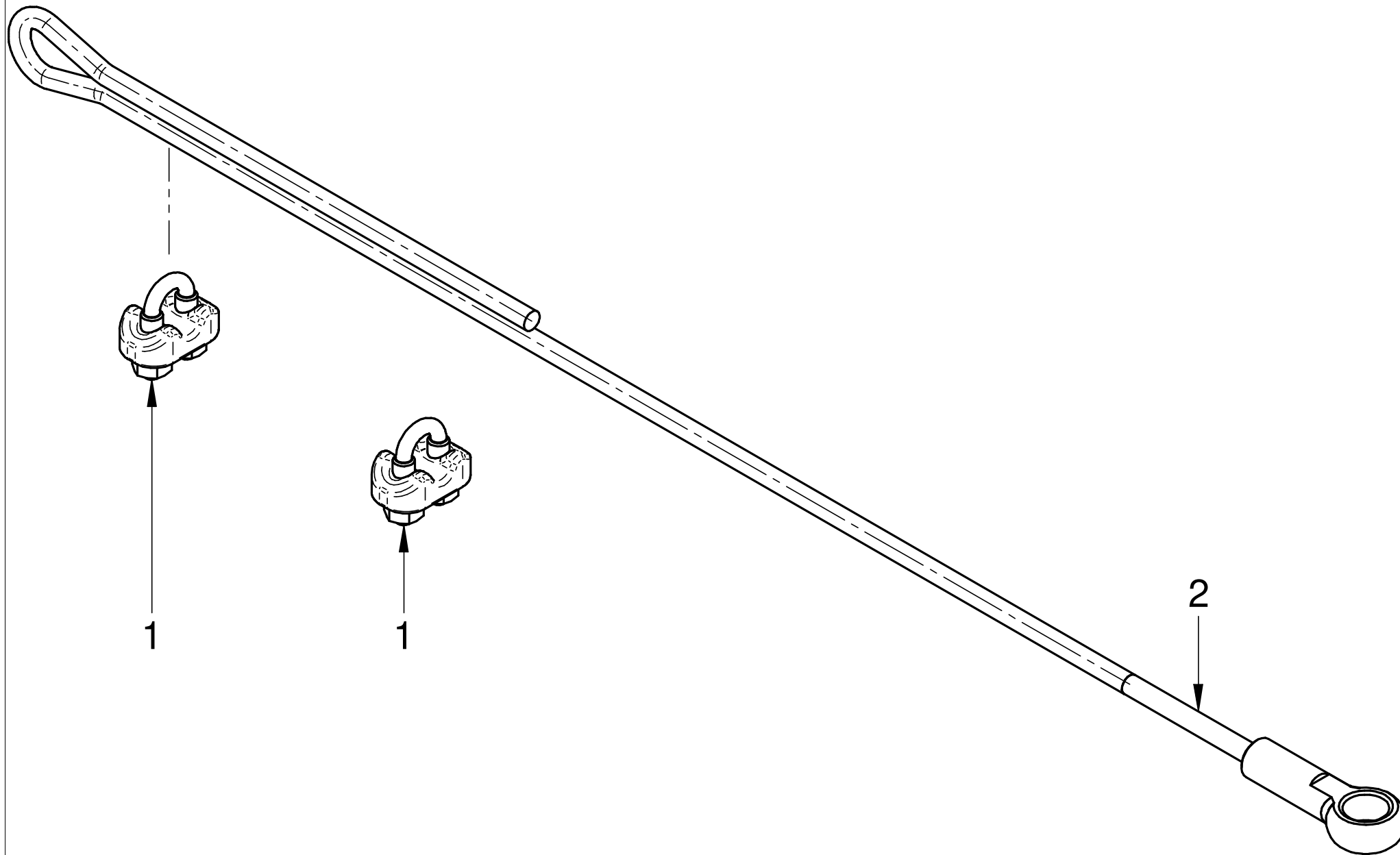
Pos.	Code	Description	Quantity
41	37002005	INPUT TRANSMISSION COVER PLATE	1
42	37002006	PINION EXTERNAL FLANGE	1
43	46002102	WELD ASSY UPPER PINION	1
44	46002106	FLANGE	1
45	62003067	FREE WHEEL TINE	3

S.N.

**S.N.**

Pos.	Code	Description	Quantity
1	020.007	SCREW TE M 6X45 8.8 5739 ZB	1
2	020.008	SCREW TE M 6X30 8.8 ISO 4014 ZB	1
3	020.012	SCREW TE M 6X20 8.8 ISO 4017 ZB	4
4	020.052	SCREW TE M 8X25 8.8 5739 ZB	2
5*	020.101	SCREW TE M 10X25 8.8 5739 ZB	1
6	021.112	SELF-LOCKING NUT M10 7473 ZB	2
7	021.115	SELF-LOCKING NUT M6 7473 ZB	4
8	021.505	KNURLED NUT AND FLANGE M 6 D.6923 ZB	1
9	023.005	FLAT WASHER M6=6,6X18X2 6593 ZB	3
10	023.010	FLAT WASHER M6=6,3X12X1,6 6592 ZB	3
11	023.020	FLAT WASHER M8=8,4X16X1,6 6592 ZB	2
12	023.030	FLAT WASHER M10=10,5X20X2 6592 ZB	3
13	023.921	RIVET TC UNI 9201-A M6-8	1
14	024.360	ELASTIC PIN D. 8X40 6873 NE	1
15	10027477	CHAIN TIGHTENER ROLLER Z=10 1/2"X5/16"	2
16	10041558	WELD ASSY TENSIONER L=95	1
17	157315	COMPL. ASSY CONTINUOS GEARBOX FREE WHEEL	1
18	30031618	SPRING TIGHTENER ZB	1
19	30031640	RUNNER PIN D. 20X27,5 ZB	1
20	37001504	CHAIN ISO 083-1 1/2"X3/16" 74 LINKS	1
21	37001602	WELD ASSY PINION Z=20 1/2"X3/16"	1
22	37001604	TIGHTENER PIN D.18X61	1
23	37002000	TRANSMISSION BRACKET GEAR OUTPUT	1
24	37002001	OUTPUT TRANSMISSION COVER PLATE	1
25	37002002	OUTPUT TRANSMISSION CLOSURE COVER	1
26	51000231	U-BOLT M10 (SQUARE 100)	1

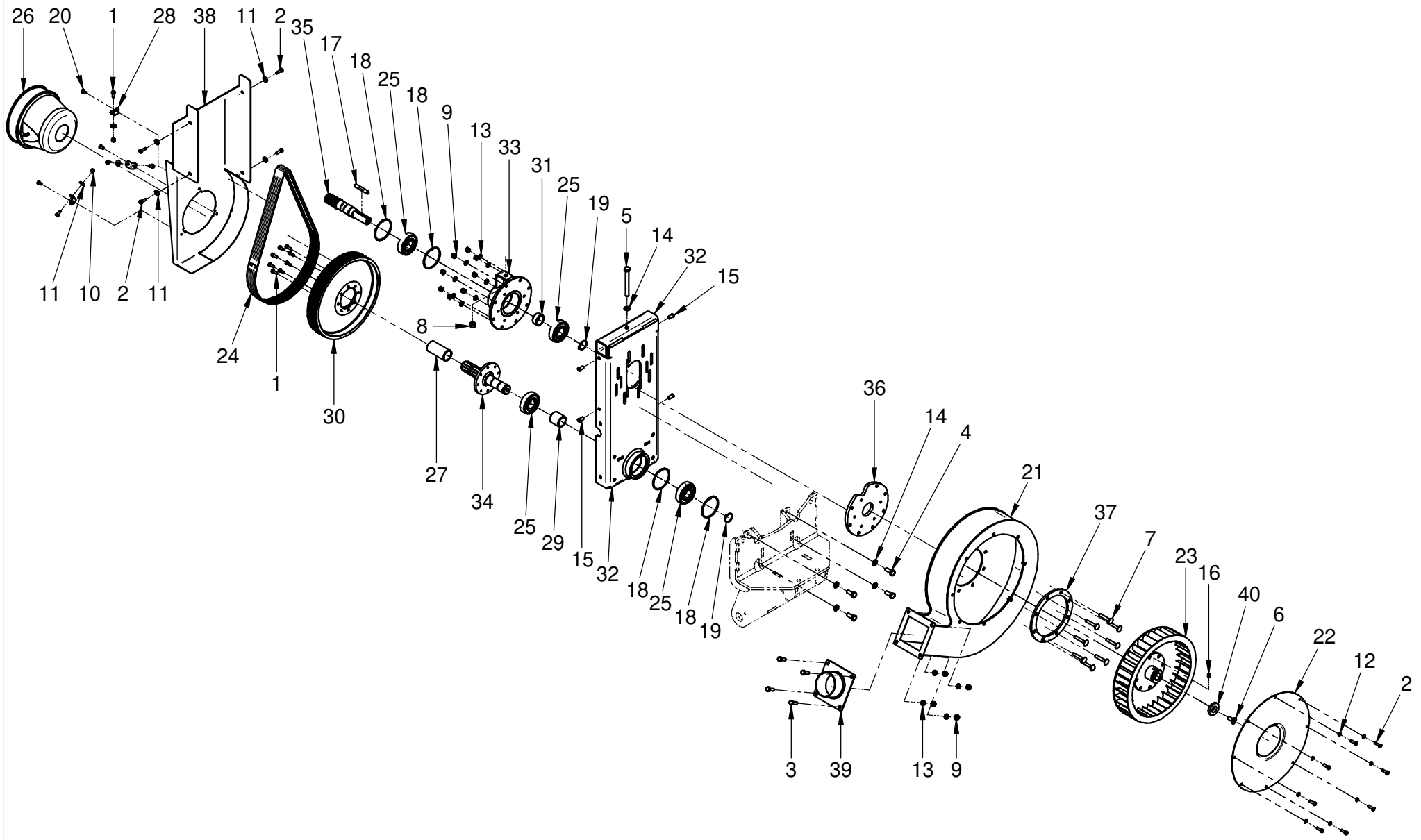
S.N.



S.N.

Pos.	Code	Description	Quantity
1	022.161	STAPLE CLAMP D.F. 5 INOX	2
2	070.124	CABLE WITH CORNER CAP D.5 L.0,6M	1

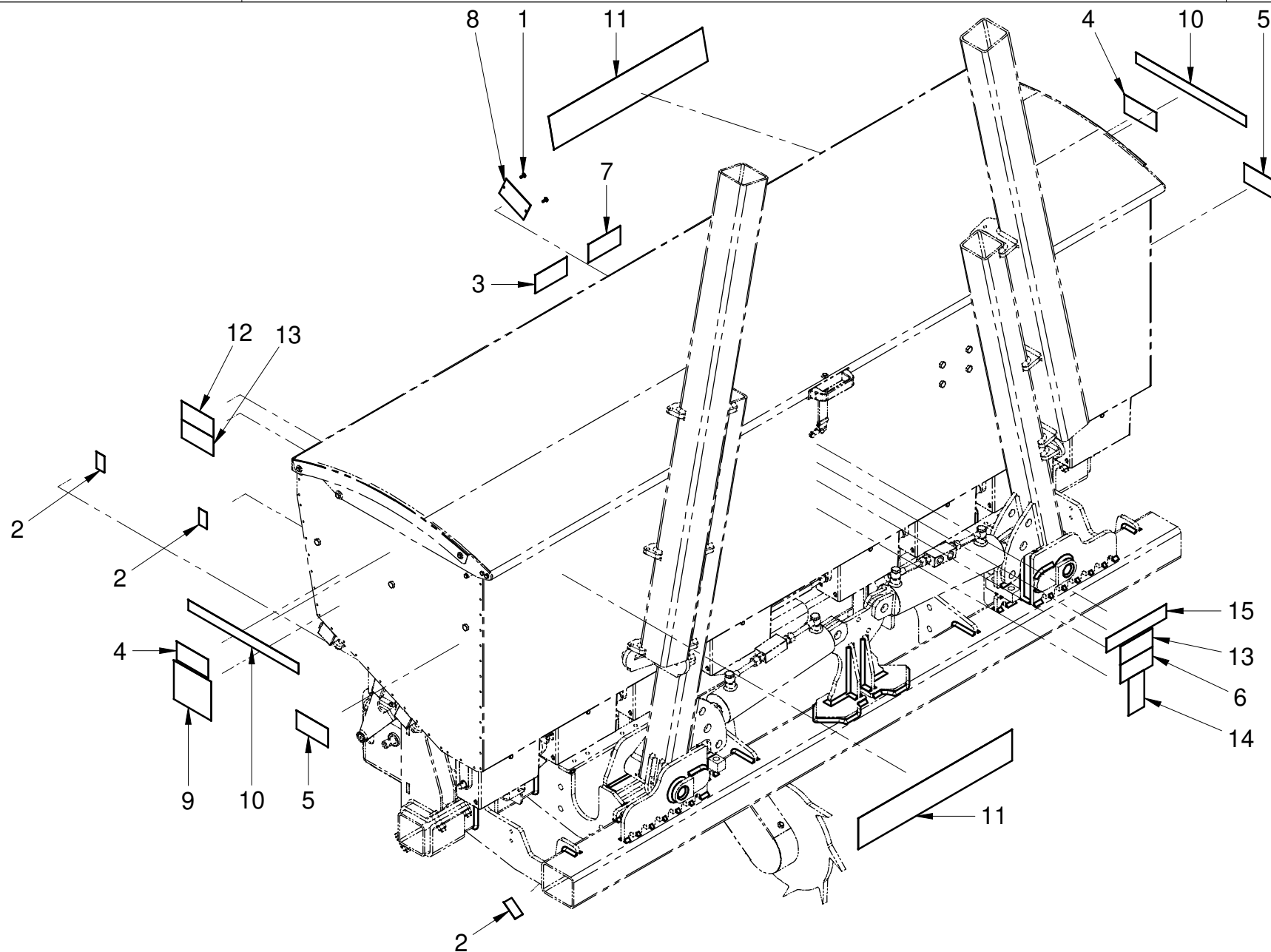
S.N.



S.N.

Pos.	Code	Description	Quantity
1	020.011	SCREW TE M 6X16 8.8 5739 ZB	11
2	020.012	SCREW TE M 6X20 8.8 ISO 4017 ZB	12
3	020.052	SCREW TE M 8X25 8.8 5739 ZB	4
4	020.101	SCREW TE M 10X25 8.8 5739 ZB	4
5	020.114	SCREW TE M 10X100 8.8 5739 ZB	1
6	020.631	SCREW TSPEI M 10X25 10.9 5933 ZB	1
7	020.744	SCREW TTQST M 8X50 4.6 5731 ZB	8
8	021.004	NUT E 6S M 10 5588 ZB	1
9	021.114	SELF-LOCKING NUT M8 7473 ZB	12
10	021.115	SELF-LOCKING NUT M6 7473 ZB	3
11	023.005	FLAT WASHER M6=6,6X18X2 6593 ZB	7
12	023.010	FLAT WASHER M6=6,3X12X1,6 6592 ZB	8
13	023.020	FLAT WASHER M8=8,4X16X1,6 6592 ZB	12
14	023.030	FLAT WASHER M10=10,5X20X2 6592 ZB	5
15	023.925	RIVET TC UNI 9201-B M6-8	4
16	026.210	GRAIN CE 14.9 M 8X10 5929	1
17	027.207	GROOVE-AND TONGUE JOINT 8X7X60 6604/A	1
18	028.022	RETAINING RING INT. D. 72 7437/742	4
19	028.110	RETAINING RING EXT. D. 30 7435/471	2
20	029.610	RIVET ALUMINIUM D.6X12	3
21	030.910	FAN SNAIL DPF 310-LG	1
22	030.911	AIR SUCTION OPENING DPF 310BA	1
23	030.912	FAN VC-310X65-24-LG	1
24	031.034	BELT POLY-V J 16 1244	1
25	050.111	BEARING 6306-2RS C3	4
26	095.017	P.T.O. SHAFT PROTECTION BONDIOLI 21902CE	1
27	096.240	PLASTIC COVER FOR P.F. 1 3/8"	1
28	10023118	SINGLE PLATE PROTECTION COVER	3
29	10023221	SHAFT SPACER P.T.O.	1
30	10023230	DRIVING PULLEY D.288 X 42 (540)	1
31	10023345	ROTATING SHAFT SPACER 38X16,5 ZB	1
32	37001616	WELD ASSY FAN FRAME	1
33	37001618	WELD ASSY FAN BEARINGS BRACKET	1
34	37001620	WELD ASSY P.T.O. SHAFT	1
35	37001624	FAN SHAFT CPF 310	1
36	37002106	FAN SPACER	1
37	37002108	CPF 310 SCREWS LOCKING RING	1
38	37002109	WELD ASSY FAN COVER	1
39	37002113	WELD ASSY CONVEYOR CPF 310	1
40	37002115	WASHER FLARED SHAFT LOCKING	1

S.N.



S.N.

Pos.	Code	Description	Quantity
1	023.829	RIVET D4X12 ALUMINIUM	2
2	044.045	STICKER GREASING	3
3	10009855	STICKER READ MANUAL	1
4	10009865	STICKER DANGER CRUSH C.	2
5	10009875	STICKER DANGER CRUSH	2
6	10009880	STICKER DANCER CRUSH	1
7	10009883	STICKER READ MANUAL	1
8	89001250	HOMOLOGATION PLATE "CE" "MASCAR"	1
9	89001368	STICKER FERTILIZER GEAR TABLE	1
10	89003142	STICKER "ANTONIO MASCHIO" 410X27	2
11	89003146	STICKER "MASCAR" 578X100	2
12	89005006	STICKER TRANSMISSION	1
13	89005007	STICKER GEARS	2
14	89009023	STICKER PROHIB. GETTING ON THE MACHINE	1
15	89009024	STICKER USE DPI	1

S.N.



MASCAR S.p.A.

Via Roma, 82 - 36040 Grumolo delle Abbadesse (Vicenza) Italy

Tel +39 0444 380180 - Fax +39 0444 583831 - 380185

E-mail : info@mascar.it