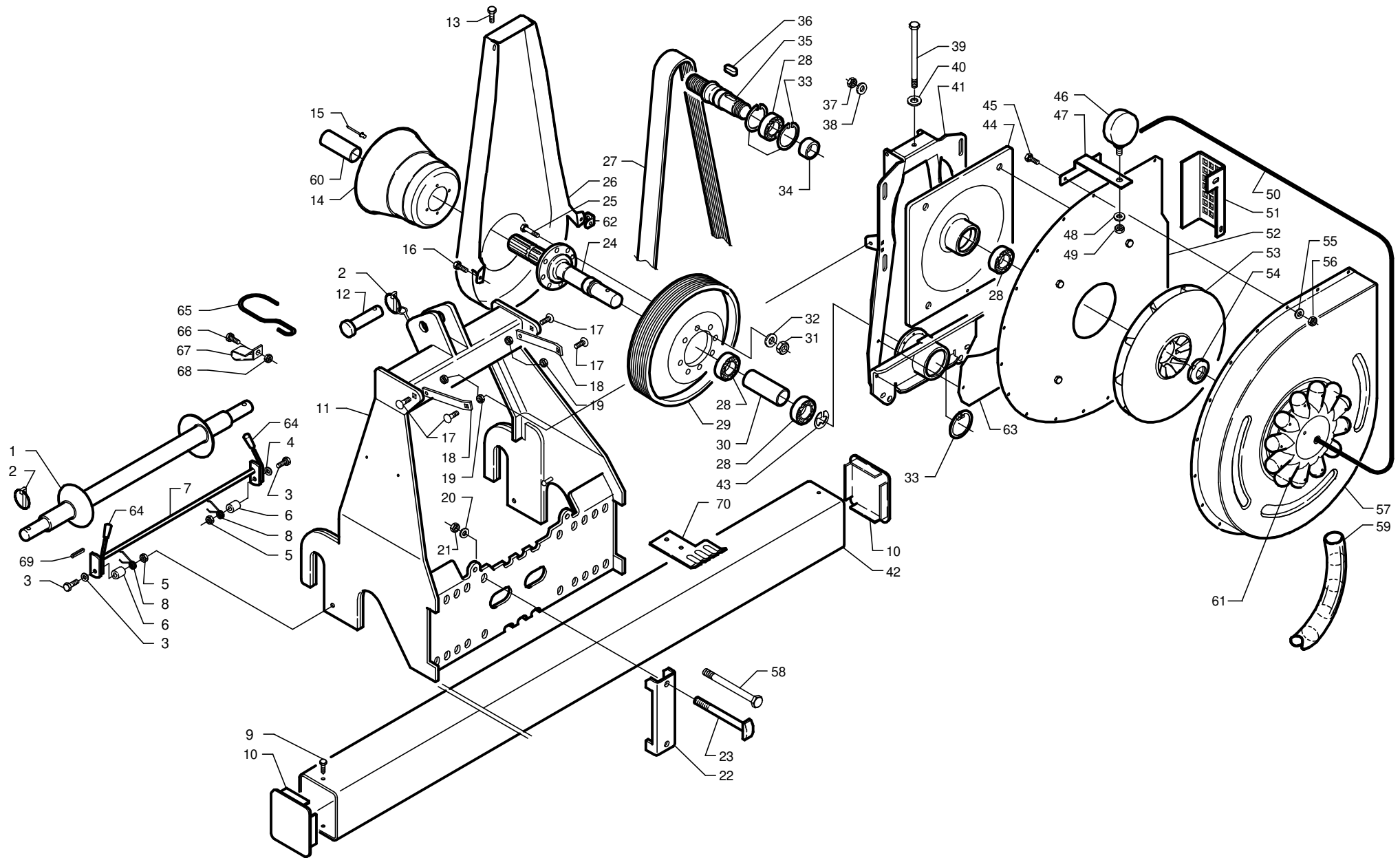


MASCAR

Spare parts catalogue



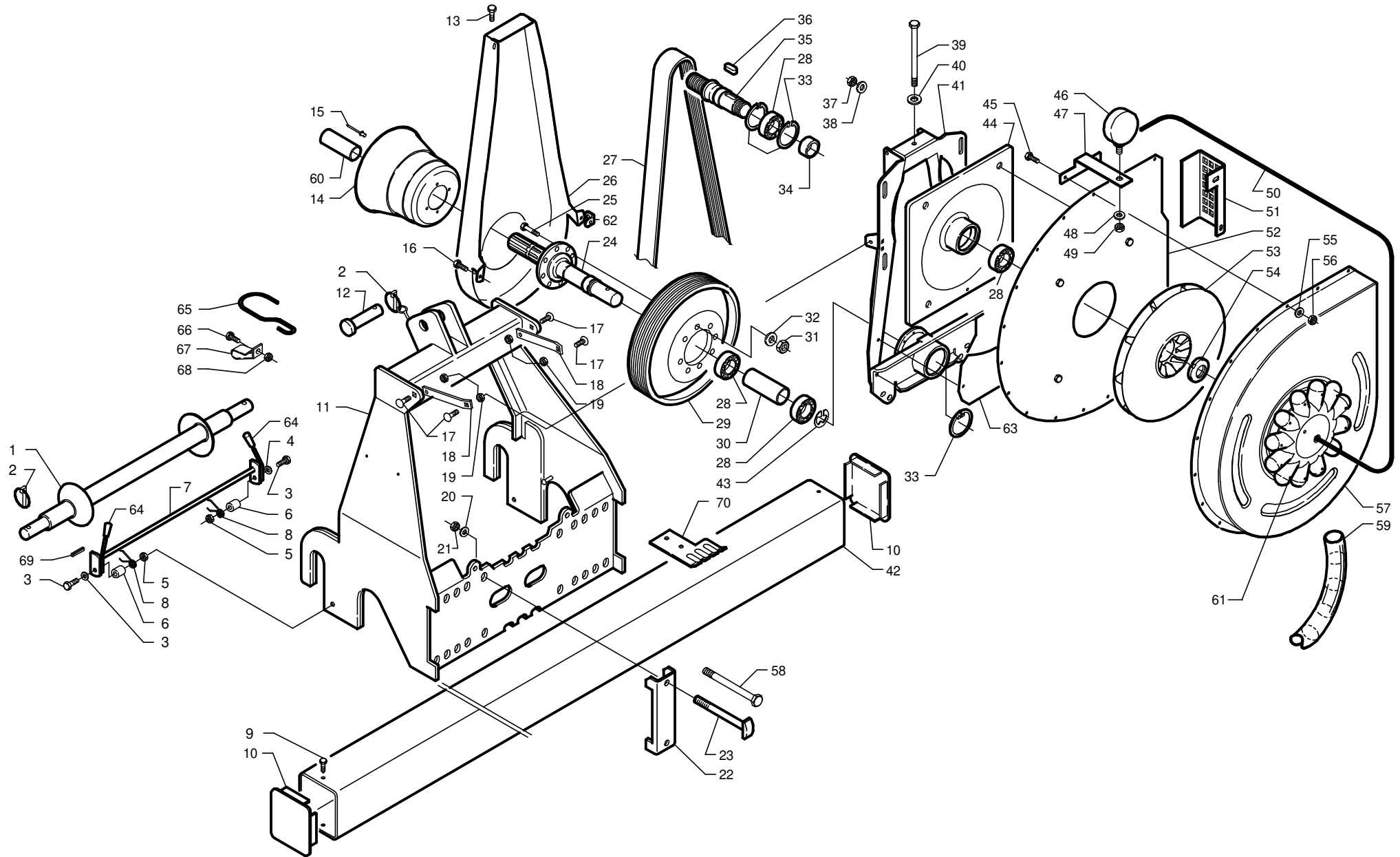
Precision planter **FUTURA 5**



S.N.

Pos.	Code	Description	Quantity
1	10030315	WELD ASSY MOUNTING 1° E 2° POINT	0
2	024.011	CLICK PIN D.10 B=60 ZG	0
3	020.157	SCREW TE M 12X55 8.8 5737 ZB	0
4	023.040	FLAT WASHER M12=13X24X2,5 6592 ZB	0
5	021.113	SELF-LOCKING NUT M12 7473 ZB	0
6	10030319	SPACER ZB	0
7	10030311	WELD ASSY CLOSING LEVER 1° E 2°POINT	0
8	10030318	SPRING ZBD	0
9	020.810	SCREW AUT. D. 6,3X32 8117 ZB	0
10	095.075	PIPE CAP Q.150X150 S.5-8	0
11	10030300	WELD ASSY THIRD POINT 2.A	0
12	10000350	3. POINT PIN L=113 ZB	0
13	020510	SCREW TSPEI 10.9 M 12X30	0
14	095.017	P.T.O. SHAFT PROTECTION BONDIOLI 21902CE	0
15	029.002	RIVET ALLUMINIUM D 4X15	0
16	020.013	SCREW TE M 6X25 8.8 ISO 4017 ZB	0
17	020.602	SCREW TTQST M 8X30 4.6 5731 ZB	0
18	10033112	TURBIN CONNECTION PLATE	0
19	021.114	SELF-LOCKING NUT M8 7473 ZB	0
20	023.612	FLAT WASHER M16=17X45X6 D6340 ZB	0
21	021.123	SELF-LOCKING NUT M14 7473 ZB	0
22	10017102	FRONT LINKAGE	0
23	10030330	SCREW TE M 16X220 12.9 5737 ZB	0
24	10023220	P.T.O. SHAFT	0
25	020.011	SCREW TE M 6X16 8.8 5739 ZB	0
26	10033115	WELD ASSY PROTECTION COVER PLATE	0
27	031.032	BELT POLY-V 575 J 16 SV 1461	0
27	031.034	BELT POLY-V J 16 1244	0
28	050.111	BEARING 6306-2RS C3	0
29	10023230	DRIVING PULLEY D.288 X 42 (540)	0
29	10023231	PULLEY D.156 X42 (1000)	0
30	10023221	SHAFT SPACER P.T.O.	0
31	021.115	SELF-LOCKING NUT M6 7473 ZB	0
32	023.010	FLAT WASHER M6=6,3X12X1,6 6592 ZB	0
33	028.022	SEEGER RING INT. D. 72 7437/742	0
34	10023345	ROTATING SHAFT SPACER 38X16,5 ZB	0
35	10023340	ROTATING SHAFT	0
36	027.199	GROOVE-AND-TONGUE JOINT 8X7X25 6604/A	0
37	021.120	SELF-LOCKING NUT M14 7473 ZB	0
38	023.610	FLAT WASHER M14=15X40X5 D6340 ZB	0

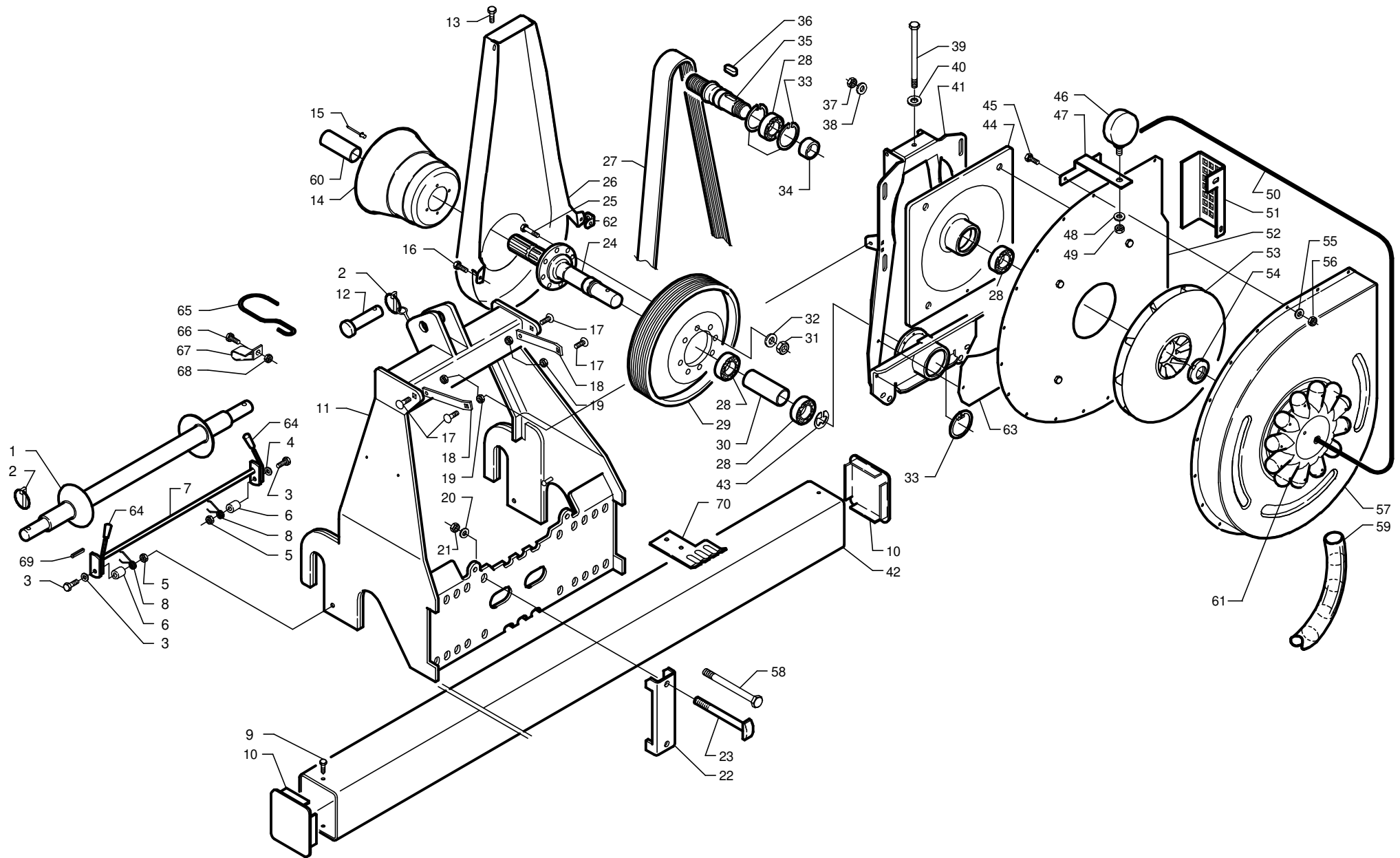
S.N.



S.N.

Pos.	Code	Description	Quantity
39	020.125	SCREW TE M 10X30 8.8 5737 ZB	0
40	023.035	FLAT WASHER M14=15X28X2,5 6592 ZB	0
41	10033101	WELD ASSY TURBINE SUPPORT	0
42	10000118	FRAME TUBE 1800	0
42	10000125	FRAME TUBE 2500	0
42	10000128	FRAME TUBE 2800	0
42	10000130	FRAME TUBE 3000	0
42	10000132	FRAME TUBE 3250	0
42	10000135	FRAME TUBE 3500	0
42	10000140	FRAME TUBE 4000	0
42	10000142	FRAME TUBE 4200	0
42	10000145	FRAME TUBE 4500	0
42	10000155	FRAME TUBE 5500 (VE.CL)	0
42	10000160	FRAME TUBE 6000 (VE.CL)	0
42	10000165	FRAME TUBE 6500	0
43	028.110	SEEGER RING EXT. D. 30 7435/471	0
44	10023330	WELD ASSY PLATE FAN SUPPORT	0
45	020.011	SCREW TE M 6X16 8.8 5739 ZB	0
46	080.015	VACUOMETRO PICCOLO TIPO A (DN)63	0
47	10003350	VACUOMETER SUPPORT	0
48	023.045	FLAT WASHER M16=17X30X3 6592 ZB	0
49	021.007	NUT E 6S M 16 5588 ZB	0
50	10003360	COMPL. ASSY VACUOMETER TUBE L0450MM	0
51	10003365	PROTECTION	0
52	10003310	WELD ASSY TURBINE COVER	0
53	10003320	WELD ASSY FAN SET	0
54	021.246	SELF-LOCKING RING NUT M25X1,5 GUK	0
55	023.010	FLAT WASHER M6=6,3X12X1,6 6592 ZB	0
56	021.115	SELF-LOCKING NUT M6 7473 ZB	0
57	10003316	BLOWER REAR SHELL	0
58	10030330	SCREW TE M 16X220 12.9 5737 ZB	0
59	083.601	PIPE WIND WITH SPIRAL PVC DI.40	0
60	096.240	PLASTIC COVER FOR P.F. 1 3/8"	0
61	10003376	CONVEYOR 12 EXITS PERFORATED	0
62	10023118	SINGLE PLATE PROTECTION COVER	0
63	10033120	COVER PLATE	0
64	095.250	PLUG DI.12	0
65	10040401	P.T.O. SHAFT CONNECT.HOOK	0
66	020.051	SCREW TE M 8X20 8.8 5739 ZB	0
67	10040402	HOOK CONNECTION SHEET ZB	0

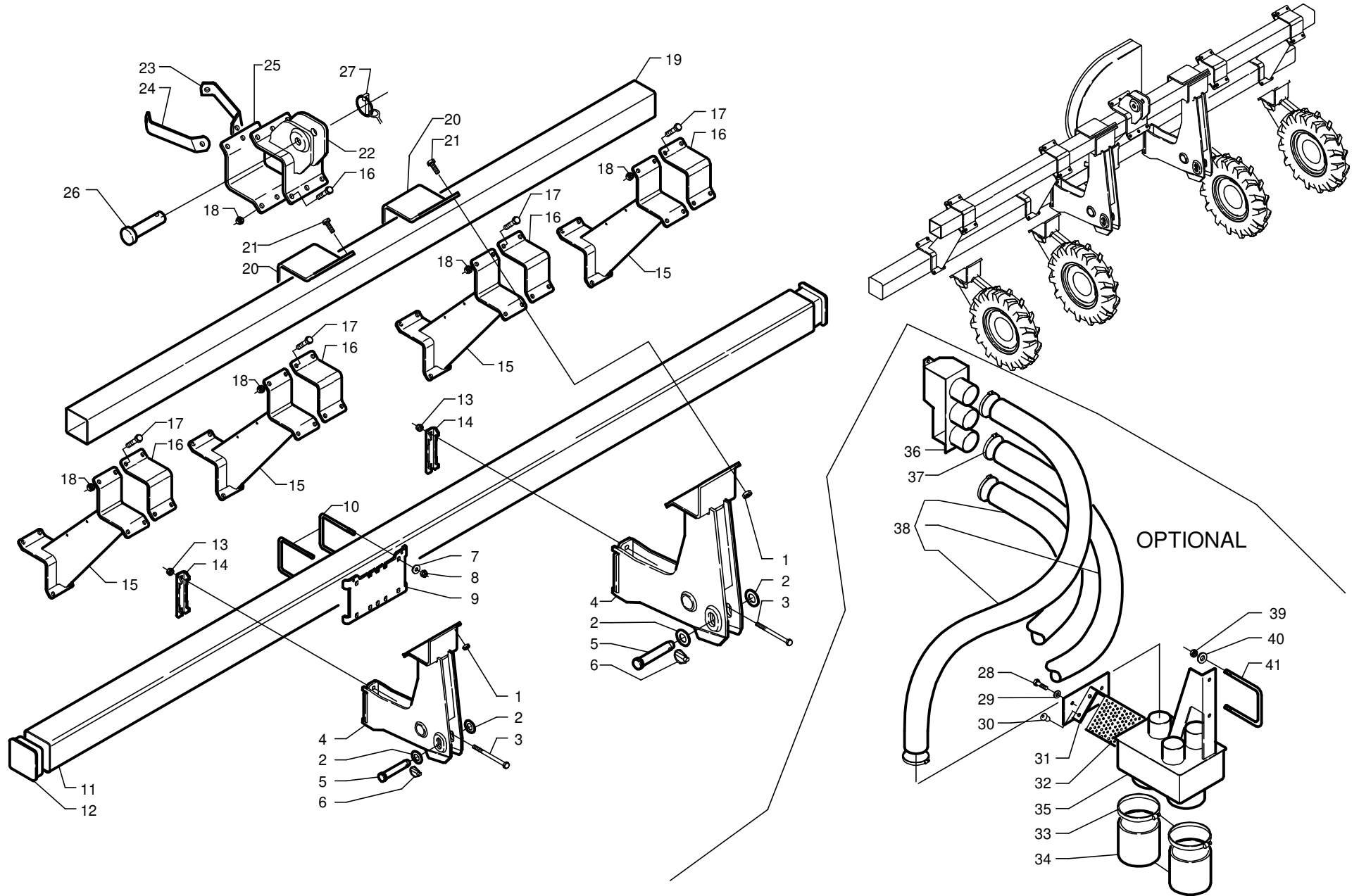
S.N.



S.N.

Pos.	Code	Description	Quantity
68	021.114	SELF-LOCKING NUT M8 7473 ZB	0
69	024.395	ELASTIC PIN D. 10X60 6873 NE	0
70	10040400	TUBES SUPPORT ZB	0

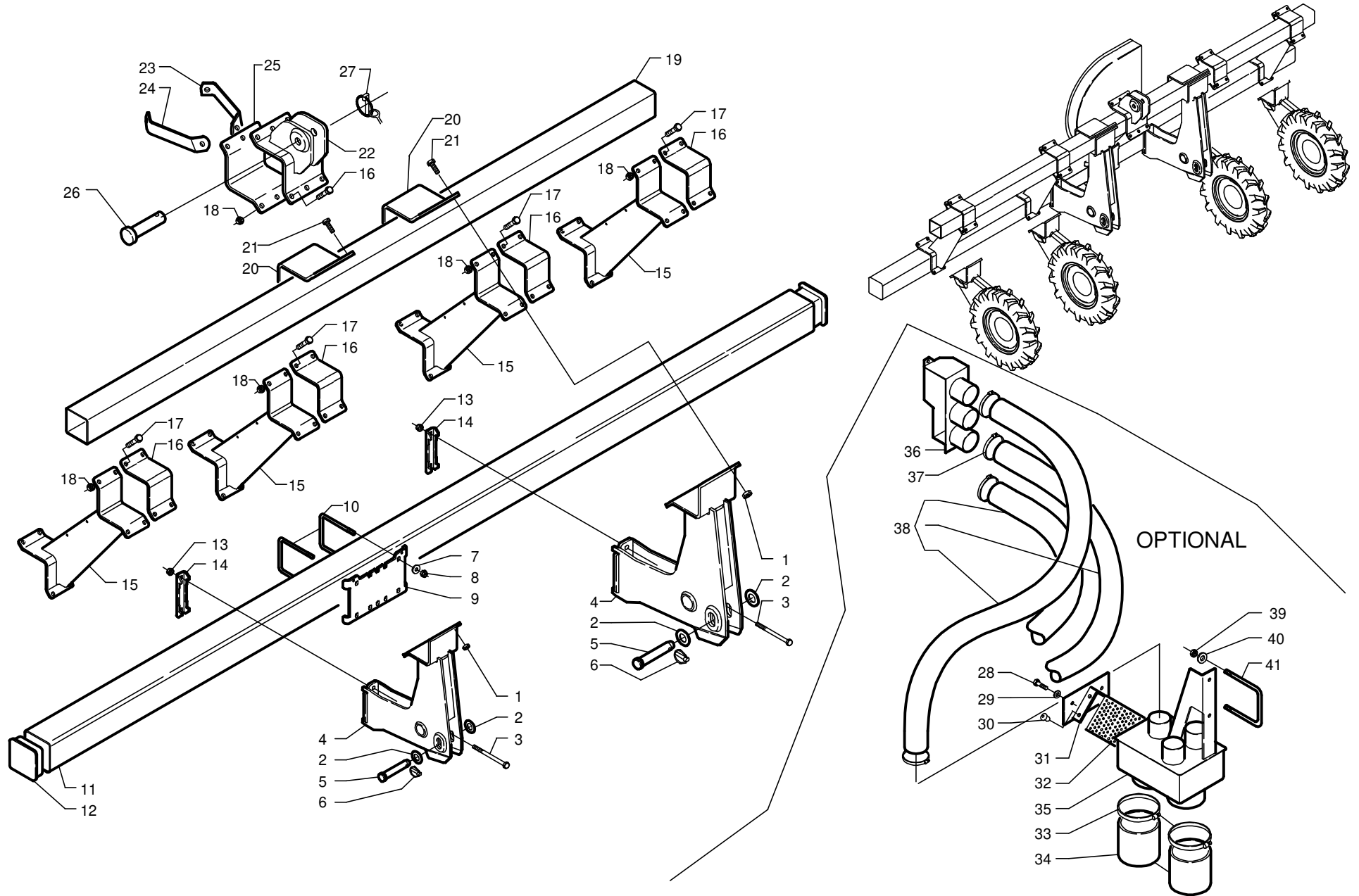
S.N.



S.N.

Pos.	Code	Description	Quantity
1	021.120	SELF-LOCKING NUT M14 7473 ZB	0
2	023.101	FLAT WASHER M30=31X56X4 6592 ZB	0
3	10030330	SCREW TE M 16X220 12.9 5737 ZB	0
4	10000171	WELD ASSY 1 AND 2 POINT CONNECTION	0
5	943.088	PIN 1-2 POINT ZB	0
6	024.011	CLICK PIN D.10 B=60 ZG	0
7	023.026	FLAT WASHER M 14= 15X44X3 6593 ZB	0
8	021.120	SELF-LOCKING NUT M14 7473 ZB	0
9	10000186	CENTRA PLATE	0
10	10000250	U-BOLT M14 ZB	0
11	10000155	FRAME TUBE 5500 (VE.CL)	0
12	095.075	PIPE CAP Q.150X150 S.5-8	0
13	021.123	SELF-LOCKING NUT M14 7473 ZB	0
14	10017102	FRONT LINKAGE	0
15	10000178	WELD ASSY SIDE CONNECTION	0
16	10000179	SMALL SIDE BRACKET	0
17	020.243	SCREW TE M 14X50 8.8 5739 ZB	0
18	021.120	SELF-LOCKING NUT M14 7473 ZB	0
19	10000187	FRAME TUBE 130X130 L=4475	0
20	10000174	BRACKET 1 AND 2 POINT	0
21	020.243	SCREW TE M 14X50 8.8 5739 ZB	0
22	10000182	WELD ASSY CONNECTION 3° POINT	0
23	10000191	FIXING PLATE DX	0
24	10000192	FIXING PLATE SX	0
25	10000185	FIXING BRACKET 3 POINT	0
26	10000355	3. POINT PIN L = 140 ZB	0
27	024.011	CLICK PIN D.10 B=60 ZG	0
28	020.009	SCREW TE M 6X12 8.8 5739 ZB	0
29	023.005	FLAT WASHER M6=6,6X18X2 6593 ZB	0
30	029.610	RIVET ALUMINIUM D.6X12	0
31	10017420	WELD ASSY HOLED FILTER DOOR	0
32	10017414	HOLED SHEET METAL DEFLECTOR	0
33	025.626	SMALL BAND S. 110-130 3017 (SX 9C)	0
34	083.604	PHOTOCELLS WITH TUBE FOR MAXI-5 DJ	0,3
35	10017422	COMPL. ASSY HOLED FILTER	0
36	10017384	WELD ASSY SNORKEL BLOW 3U.	0
37	025.615	SMALL BAND S. 60 - 80 3017 (SX 9C)	0
38	083.602	PIPE SPIRAL	4,5
39	023.035	FLAT WASHER M14=15X28X2,5 6592 ZB	0
40	021.120	SELF-LOCKING NUT M14 7473 ZB	0

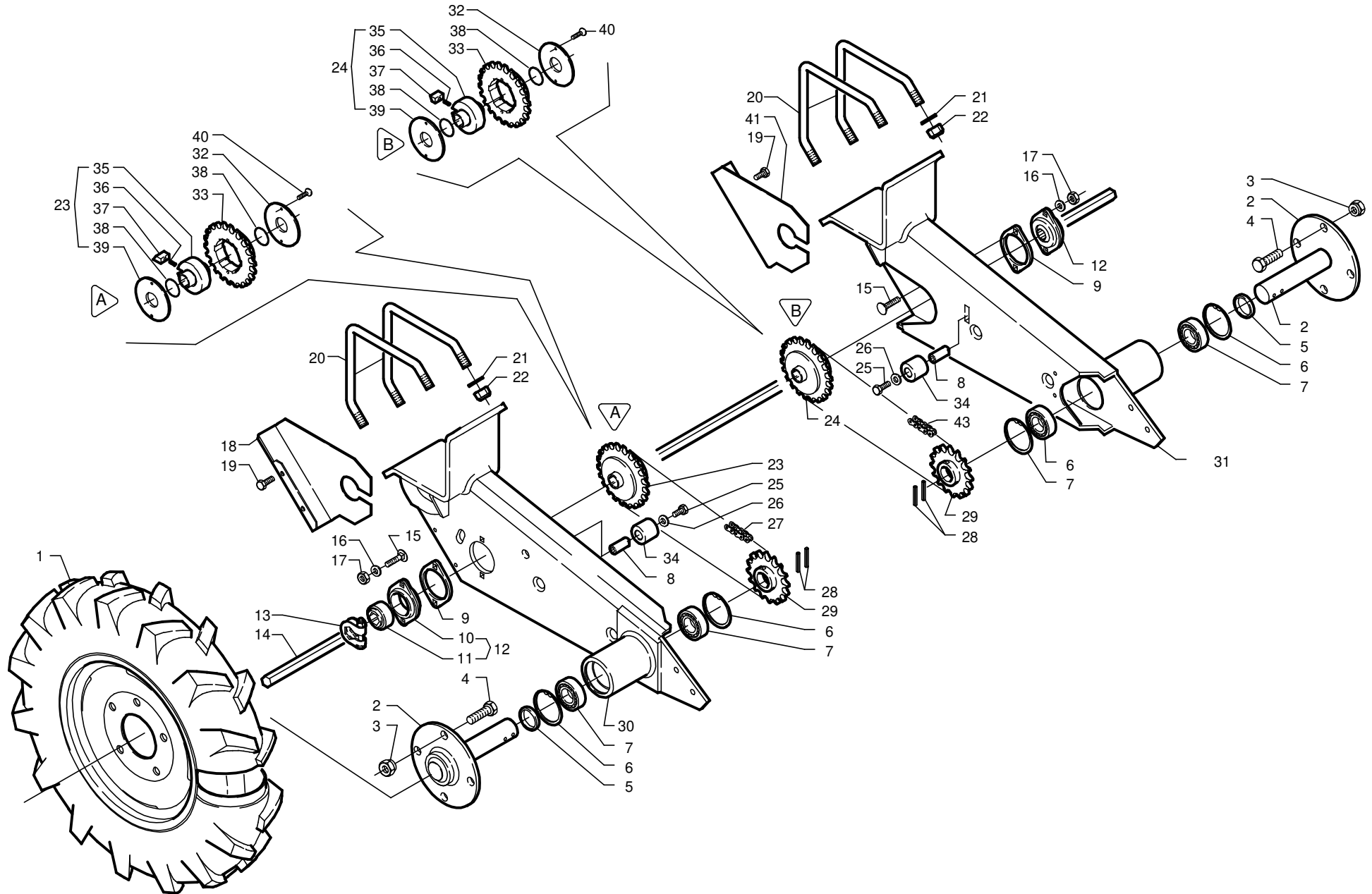
S.N.



S.N.

Pos.	Code	Description	Quantity
41	10000250	U-BOLT M14 ZB	0

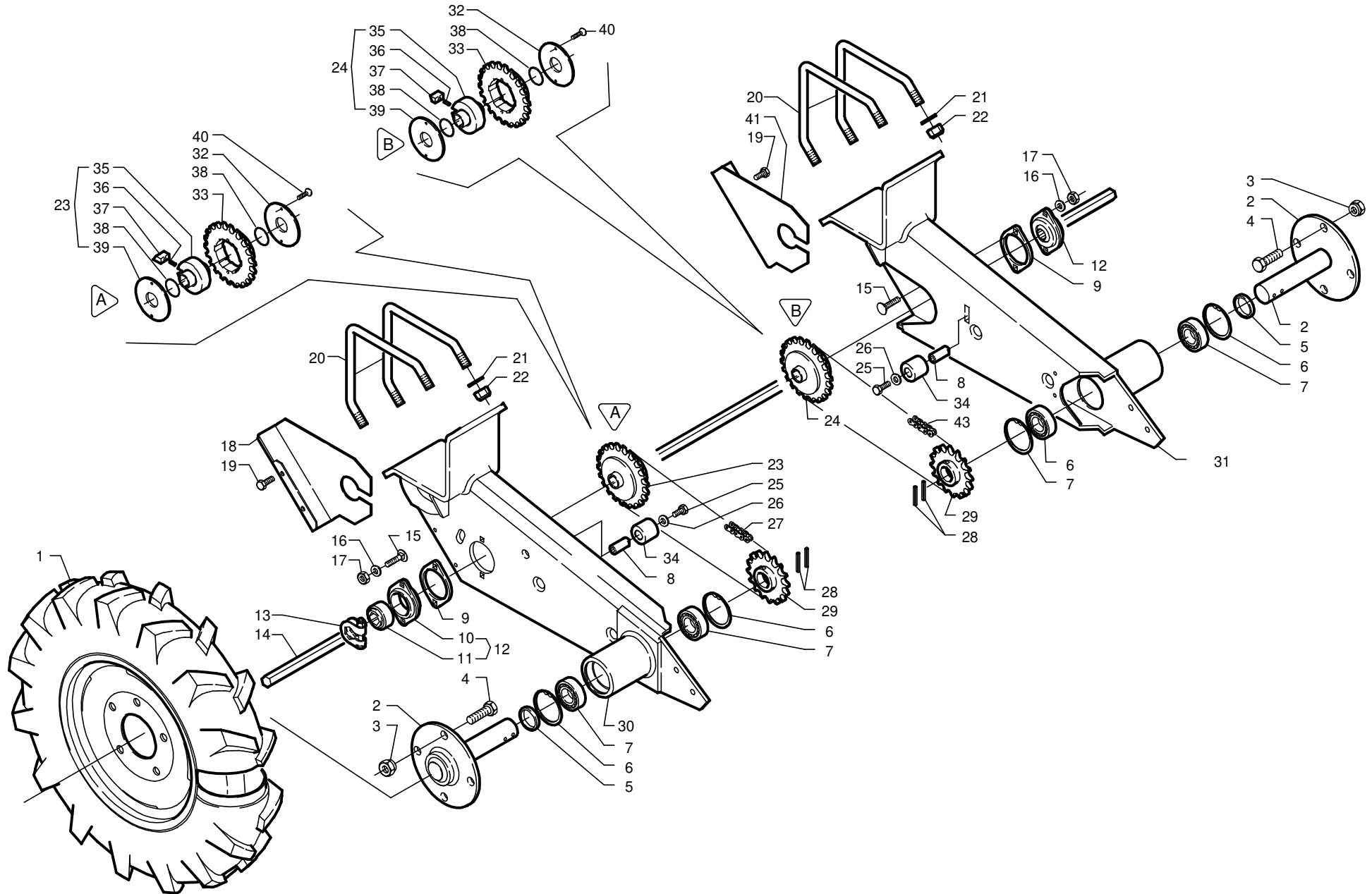
S.N.



S.N.

Pos.	Code	Description	Quantity
1	10022897	WHEEL 6.50-15 RIGHT	0
1	10022898	WHEEL 5.00-15 DX	0
1	10022899	WHEEL 5.00-15 SX	0
1	10022900	WHEEL 6.50-15 LEFT	0
2	10022880	WELD ASSY WHEEL AXLE	0
3	021.241	WHEEL AXLE NUT MB 16X1,5	0
4	020.238	SCREW TE M 16X35 8.8 5740 ZB	0
5	10022888	SPACER ZB	0
6	028.015	SEEGER RING INT. D. 62 7437/472	0
7	050.003	BEARING 6007-2RS	0
8	10022894	CHAIN TIHTENER SHAFT ZB	0
9	10022735	SUPPORT SHIMING FLANGE ZB	0
10	051.051	PLATE FLANGE PFL205	0
11	051.103	SUPPORT 205/19.1 KRRB AH02 XID	0
12	10022730	COMPL. ASSY FLANGE PFL 205+BEAR. EX.19,1	0
13	10022756	COMPL. ASSY HEXAGONAL ROD LOCK 19	0
14	10002318	TRASMISSION HEXAGON 1800 ZB	0
14	10002320	TRASMISSION HEXAGON 2000 ZB	0
14	10002325	TRASMISSION HEXAGON 2500 ZB	0
14	10002331	TRASMISSION HEXAGON 3190 ZB	0
15	020.601	SCREW TTQST M 8X25 4.6 5731 ZB	0
16	023.030	FLAT WASHER M10=10,5X20X2 6592 ZB	0
17	021.114	SELF-LOCKING NUT M8 7473 ZB	0
18	10022901	COVER PLATE LEFT	0
19	020.050	SCREW TE M 8X16 8.8 5739 ZB	0
20	10002240	"V"-BOLT M14 (TUBE 160) ZB	0
21	023.035	FLAT WASHER M14=15X28X2,5 6592 ZB	0
22	021.120	SELF-LOCKING NUT M14 7473 ZB	0
23	10022940	COMPL. ASSY FREE WHEEL LEFT	0
24	10022942	COMPL. ASSY FREE WHEEL RIGHT	0
25	020.101	SCREW TE M 10X25 8.8 5739 ZB	0
26	023.030	FLAT WASHER M10=10,5X20X2 6592 ZB	0
27	10022892	WHEEL CHAIN 5/8"X3/8" 67P.+M-G.	0
28	024.346	ELASTIC PIN D. 6X50 6873	0
29	10022890	PINION Z016 ZB	0
30	10022865	WELD ASSY WHEEL SUPPORT LEFT	0
31	10022864	WELD ASSY WHELL SUPPORT RIGHT	0
32	10022938	CLUTCH INTERN. SIDE ZB	0
33	10022944	WHEEL PINION Z=22 ZB	0
34	10022896	CHAIN TIGHTENER SLIDING BLOCK	0

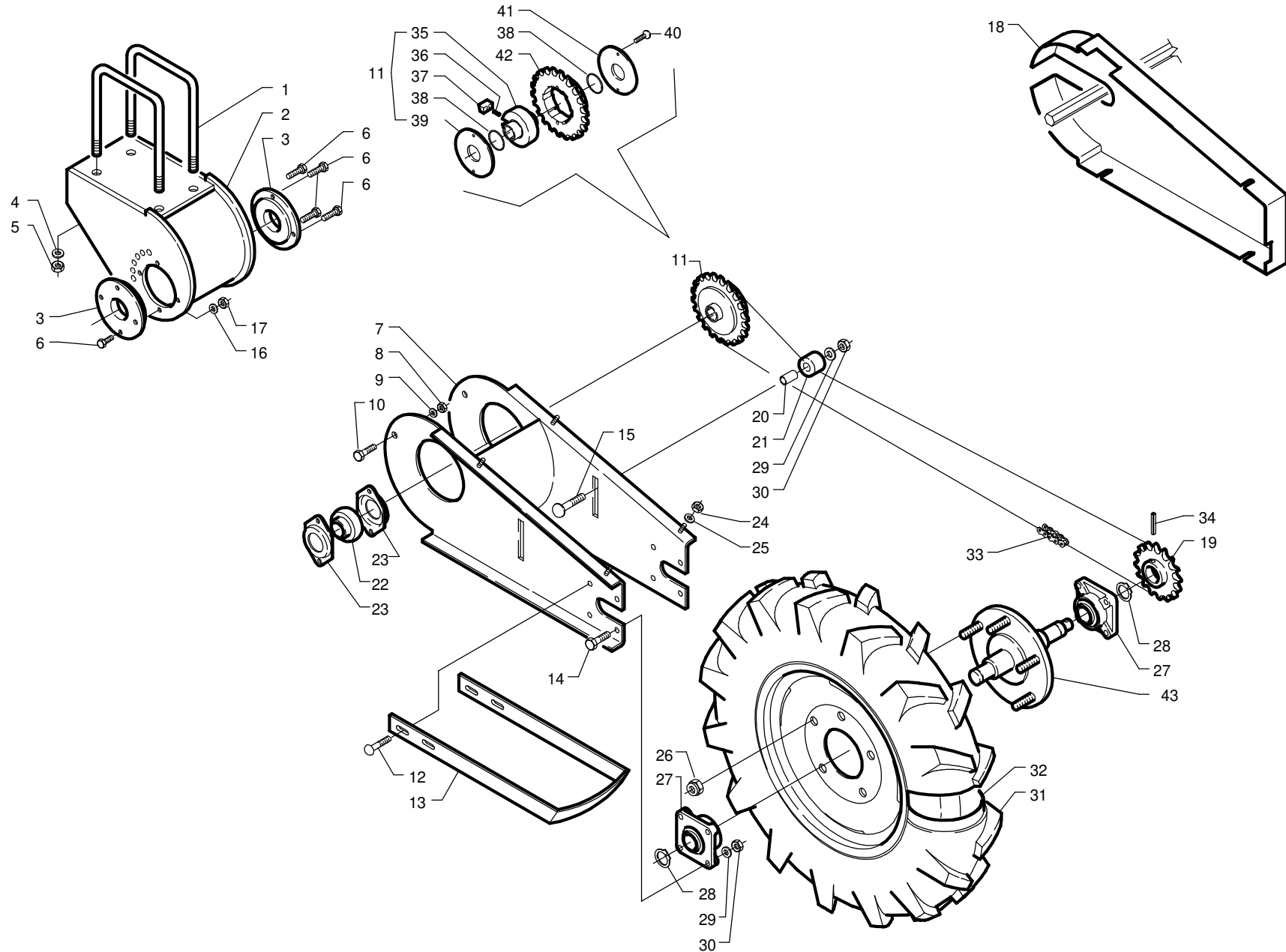
S.N.



S.N.

Pos.	Code	Description	Quantity
35	10022926	HEXAGONAL HUB	0
36	10022932	SPRING ZBD	0
37	10022946	WHEEL CLUTCH ZBD	0
38	046.027	RING OR 0280 DI=28 FILO 1,5	0
39	10022936	CLUTCH EXTERN.SIDE ZB	0
40	020.640	SCREW TSPEI M 5X30 10.9 5933 ZB	0
41	10022902	COVER PLATE RIGHT	0

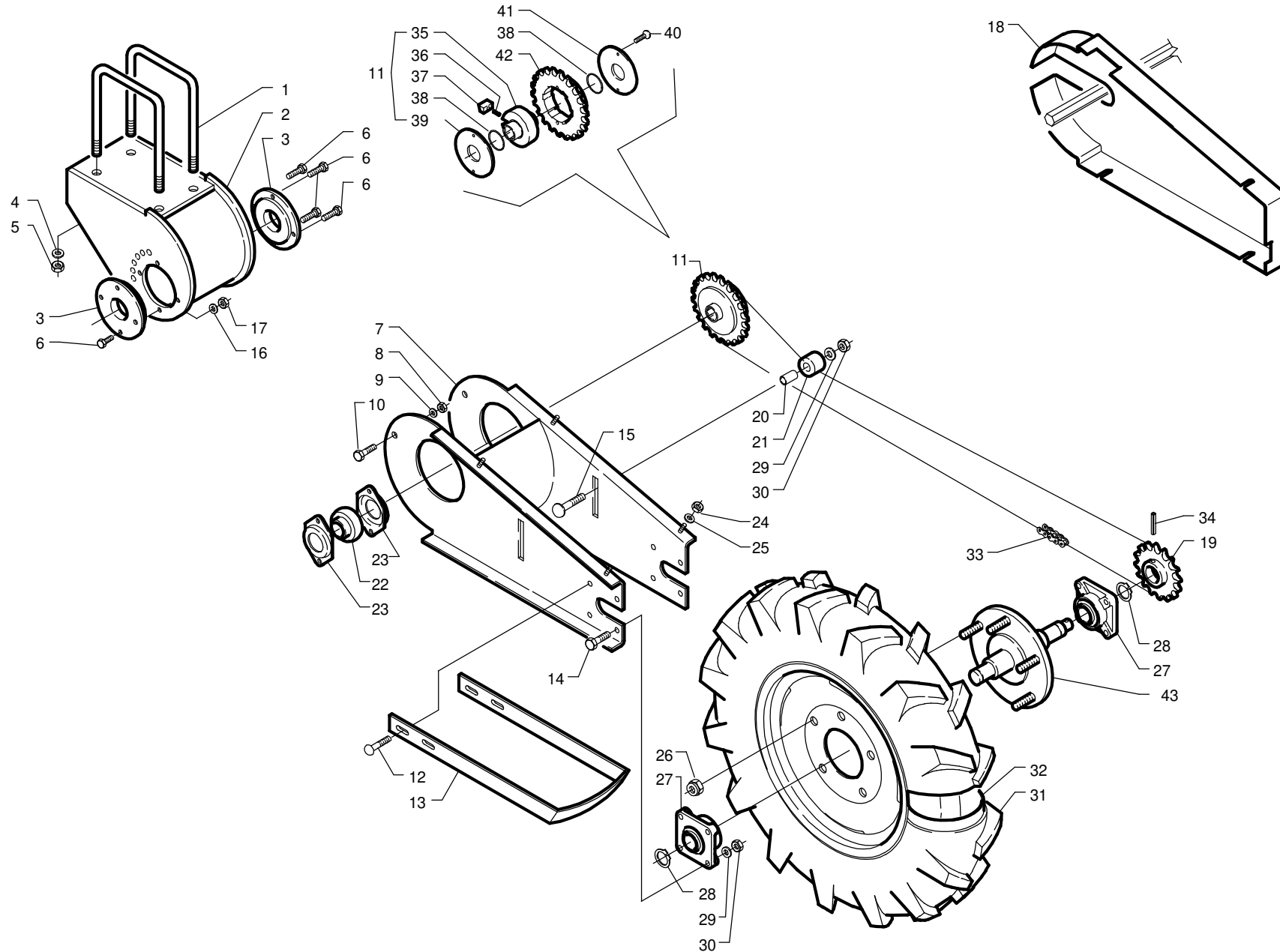
S.N.



S.N.

Pos.	Code	Description	Quantity
1	1000250	U-BOLT M14 ZB	0
2	10002420	WELD ASSY ADJUSTABLE ARM	0
3	10002430	FLANGE ZB	0
4	023.035	FLAT WASHER M14=15X28X2,5 6592 ZB	0
5	021.120	SELF-LOCKING NUT M14 7473 ZB	0
6	020.054	SCREW TE M 8X35 8.8 5739 ZB	0
7	10012410	WELD ASSY WHEEL SUPPORT	0
8	021.104	SELF-LOCKING NUT M 12 7474 ZB	0
9	023.040	FLAT WASHER M12=13X24X2,5 6592 ZB	0
10	020.053	SCREW TE M 8X30 8.8 ISO 4017 ZB	0
11	10022940	COMPL. ASSY FREE WHEEL LEFT	0
12	020.607	SCREW TTQST M 10X40 4.6 5731 ZB	0
13	10002611	WELD ASSY PROTECTION	0
14	020.104	SCREW TE M 10X40 8.8 5739 ZB	0
15	020.594	SCREW TTQST M 10X55 4.6 5731 ZB	0
16	023.020	FLAT WASHER M8=8,4X16X1,6 6592 ZB	0
17	021.114	SELF-LOCKING NUT M8 7473 ZB	0
18	10012440	WELD ASSY WHEELS SUPPORT	0
19	10002628	PINION Z= 16 ZB	0
20	10002609	SPACER ZB	0
21	10022896	CHAIN TIGHTENER SLIDING BLOCK	0
22	051.103	SUPPORT 205/19.1 KRRB AH02 XID	0
23	051.051	PLATE FLANGE PFL205	0
24	021.505	KNURLED NUT AND FLANGE M 6 D.6923 ZB	0
25	023.010	FLAT WASHER M6=6,3X12X1,6 6592 ZB	0
26	021.241	WHEEL AXLE NUT MB 16X1,5	0
27	051.070	SUPPORT UCF 205	0
28	028.108	SEEGER RING EXT. D. 25 7435/471	0
29	023.030	FLAT WASHER M10=10,5X20X2 6592 ZB	0
30	021.112	SELF-LOCKING NUT M10 7473 ZB	0
31	10022898	WHEEL 5.00-15 DX	0
31	10022899	WHEEL 5.00-15 SX	0
32	031199	COVER 5.00-15 4PR IM110	0
33	10012295	COMPL. ASSY TRANSMIS.CHAIN 75M.5/8"X3/8"	0
34	024.344	ELASTIC PIN D.6X30 6873	0
35	10022926	HEXAGONAL HUB	0
36	10022932	SPRING ZBD	0
37	10022946	WHEEL CLUTCH ZBD	0
38	046.027	RING OR 0280 DI=28 FILO 1,5	0
39	10022936	CLUTCH EXTERN.SIDE ZB	0

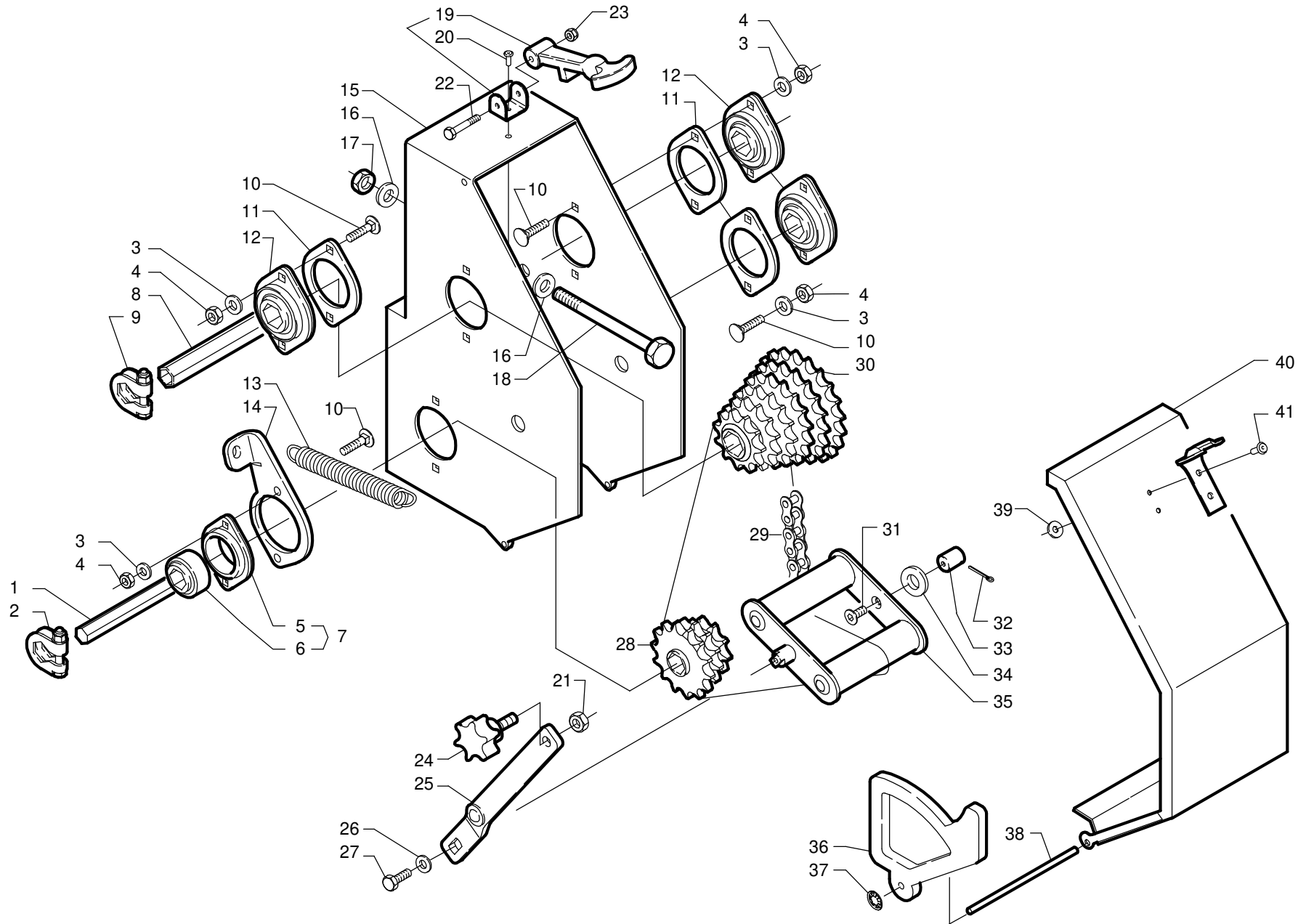
S.N.



S.N.

Pos.	Code	Description	Quantity
40	020.640	SCREW TSPEI M 5X30 10.9 5933 ZB	0
41	10022938	CLUTCH INTERN. SIDE ZB	0
42	10022944	WHEEL PINION Z=22 ZB	0
43	10002630	WELD ASSY WHEEL HUB	0

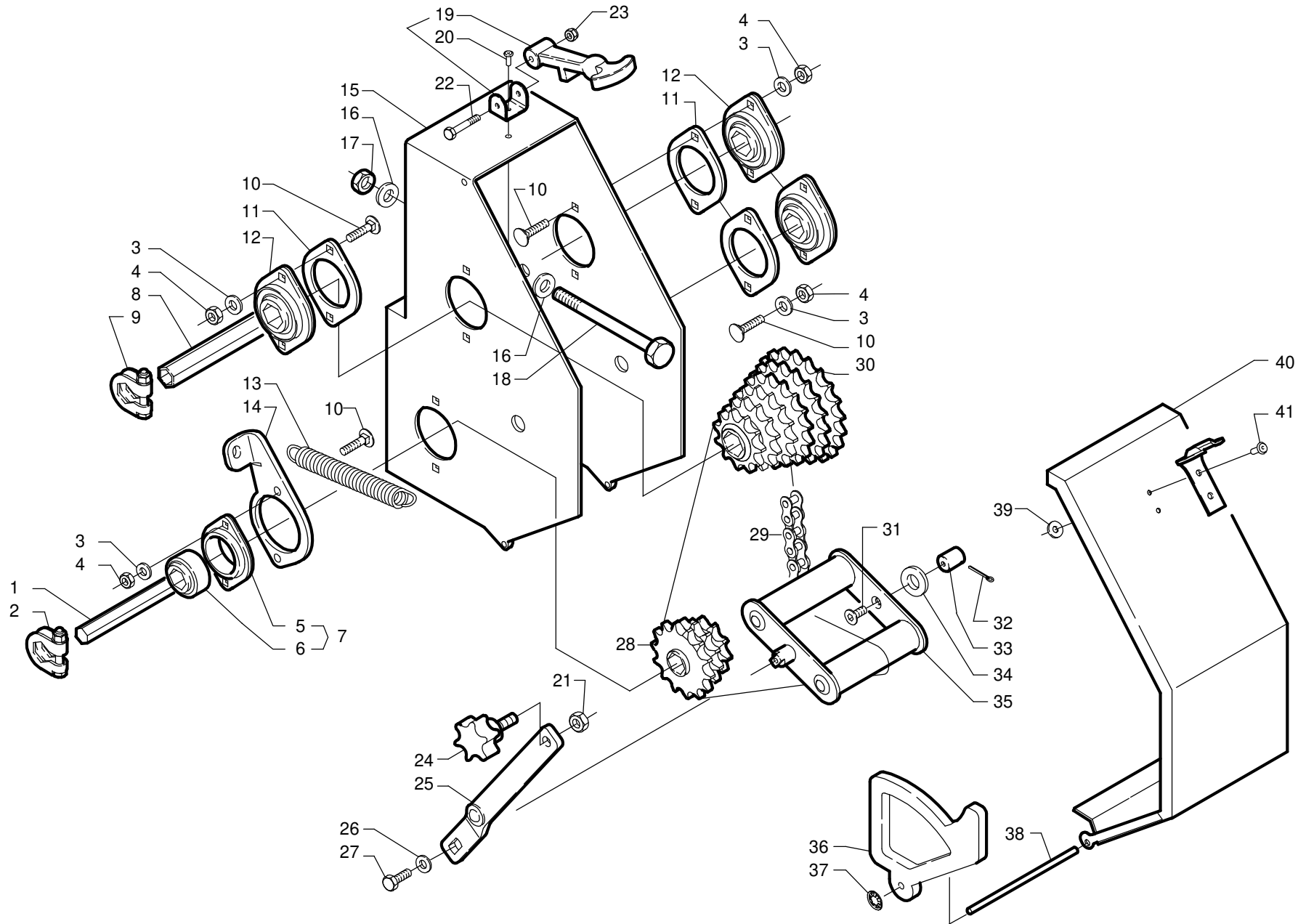
S.N.



S.N.

Pos.	Code	Description	Quantity
1	10022308	HEXAGONAL BAR	0
1	10022344	HAXAGONAL BAR	0
1	10032308	HEXAGONAL BAR DT 750	0
1	10032312	HEXAGONAL BAR EST. ST ZB	0
2	10022756	COMPL. ASSY HEXAGONAL ROD LOCK 19	0
3	023.020	FLAT WASHER M8=8,4X16X1,6 6592 ZB	0
4	021.102	SELF-LOCKING NUT M 8 7474 ZB	0
5	051.051	PLATE FLANGE PFL205	0
6	051.103	SUPPORT 205/19.1 KRRB AH02 XID	0
7	10022730	COMPL. ASSY FLANGE PFL 205+BEAR. EX.19,1	0
8	10022322	HEXAGONAL TUBE L=2490 ZB	0
8	10022402	HEXAGONAL TUBE L=1790 ZB	0
8	10022408	HEXAGONAL TUBE L= 3240 ZB	0
8	10022412	HEXAGONAL TUBE L=3990 ZB	0
9	10022755	COMPL. ASSY HEXAGONAL ROD LOCK 22	0
10	020.601	SCREW TTQST M 8X25 4.6 5731 ZB	0
11	10022735	SUPPORT SHIMING FLANGE ZB	0
12	051.100	SUPPORT 205 KRRB AH 02- PFL205	0
13	30031340	TENSION SPRING 3,2X21X160 ZBD	0
14	10022740	SPACER PLATE	0
15	10012740	WELD ASSY GEAR BOX	0
16	023.035	FLAT WASHER M14=15X28X2,5 6592 ZB	0
17	021.120	SELF-LOCKING NUT M14 7473 ZB	0
18	020.213	SCREW TE M 14X200 8.8 5737 ZB	0
19	095.095	COMPLETE RUBBER TIE-ROD (GAMM)	0
20	023.829	RIVET D4X12 ALUMINIUM	0
21	10002714	WELD ASSY BUSHING WITH 3 PINIONS ZB	0
22	019.135	SCREW TE M 4X35 8.8 5739 ZB	0
23	021.099	SELF-LOCKING NUT M 4 7473 ZB	0
24	095.001	HABD WGEEK NAKE M8X15 TECNOPOLIM	0
25	10022738	WELD ASSY GEAR CHAIN TIGHTNER LEVER ZB	0
26	023.010	FLAT WASHER M6=6,3X12X1,6 6592 ZB	0
27	020.010	SCREW TE M 6X10 8.8 5739 ZB	0
28	10002714	WELD ASSY BUSHING WITH 3 PINIONS ZB	0
29	10002718	CHAIN 5/8"X3/8" 49 LINKS+JOINT	0
30	10022707	WELD ASSY BUSHING WITH 6 PINIONS ZB	0
31	020.656	SCREW TSPEI M 6X 12 10.9 5933	0
32	024.227	COVER D. 4X30 ZB 1336	0
33	10002701	MOBILE PIN ZB	0
34	023.045	FLAT WASHER M16=17X30X3 6592 ZB	0

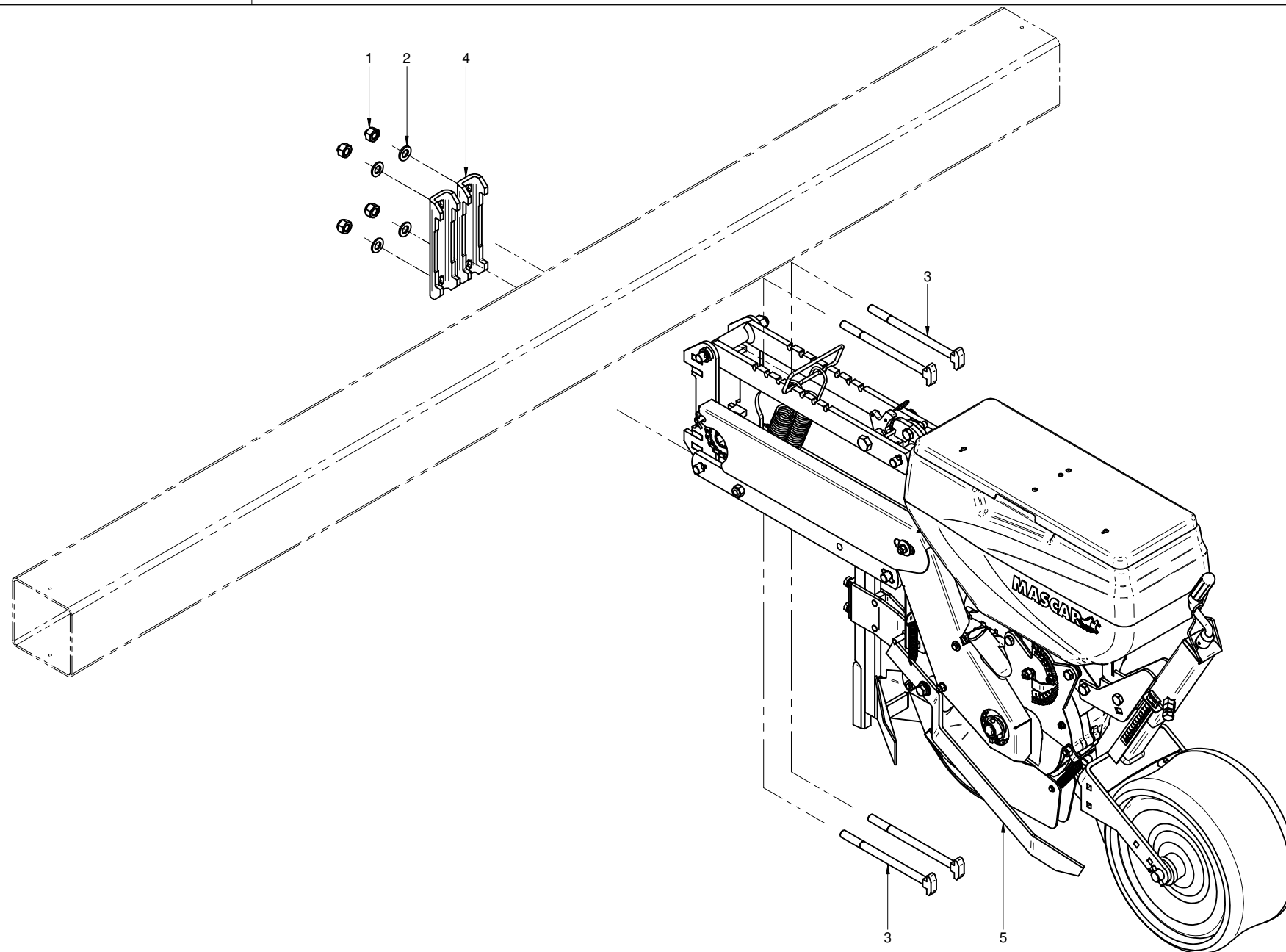
S.N.



S.N.

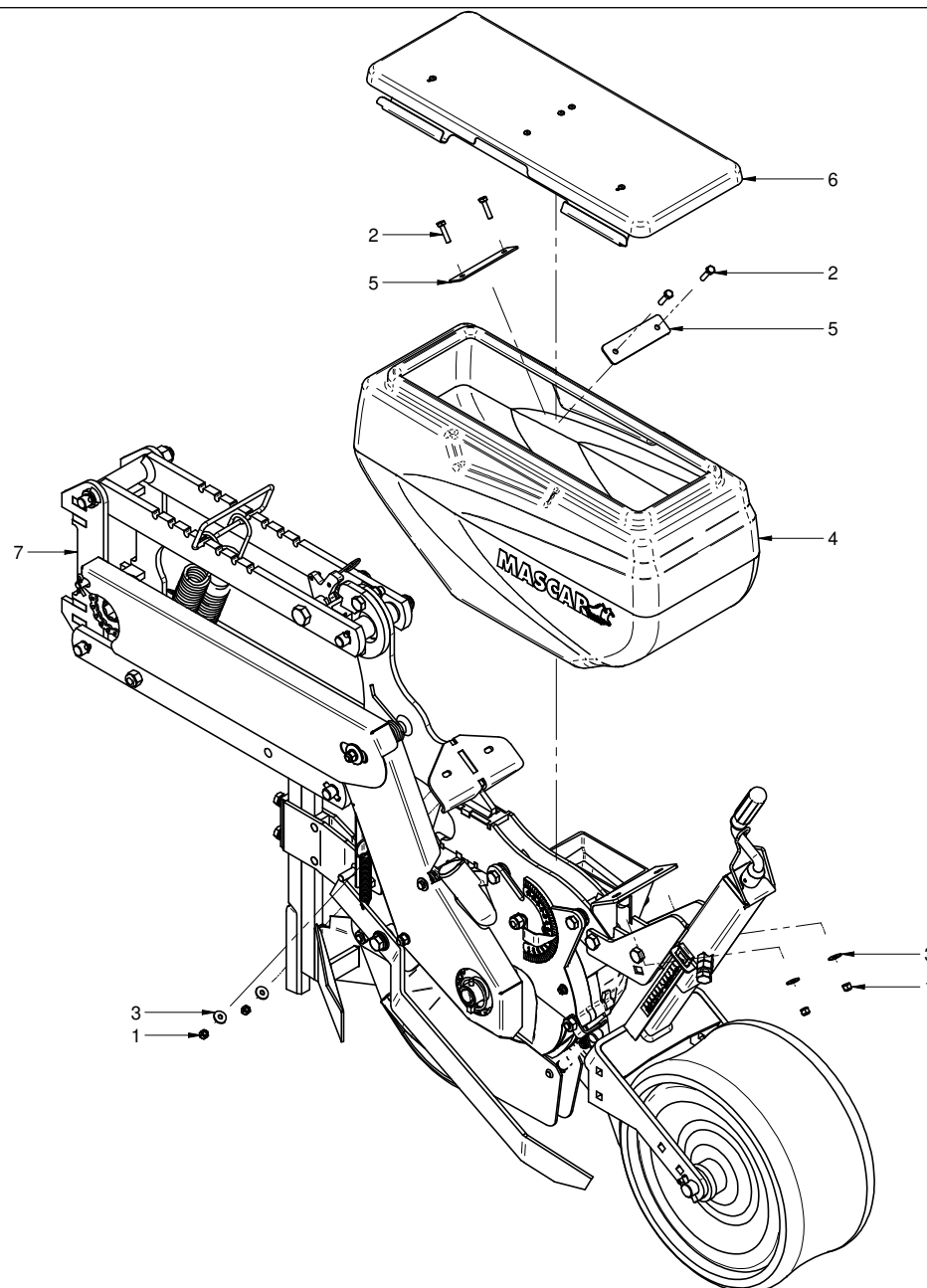
Pos.	Code	Description	Quantity
35	10002760	WELD ASSY GEAR CHAIN TENSIONER	0
36	10022737	SAFETY LOOK PLATE	0
37	023.756	WASHER EL.SHAFT D.6	0
38	10012726	PIVOT SHAFT	0
39	023.007	FLAT WASHER M4=4,3X9X0,8 6592 ZB	0
40	10012724	COVER BOX	0
41	023.829	RIVET D4X12 ALUMINIUM	0

S.N.

**S.N.**

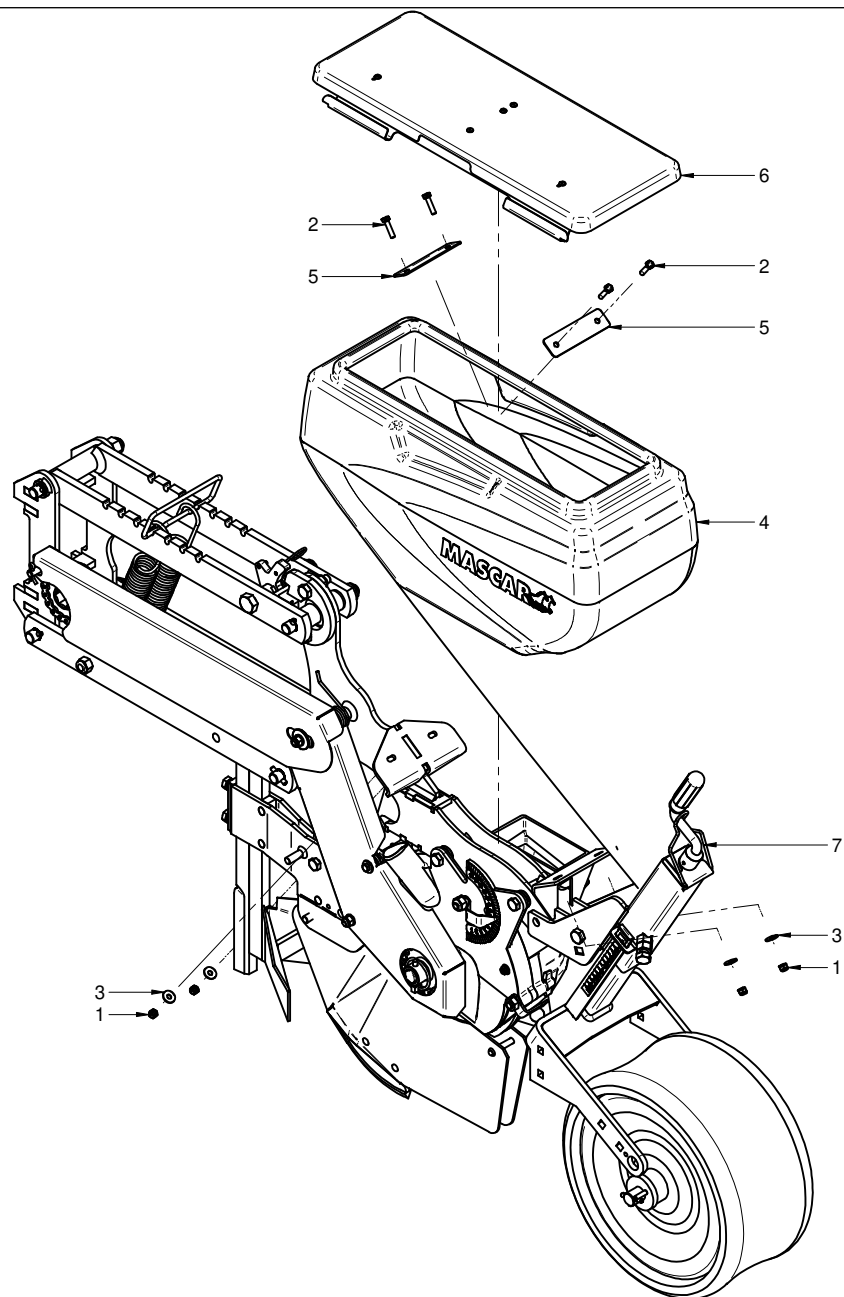
Pos.	Code	Description	Quantity
1	021.120	SELF-LOCKING NUT M14 7473 ZB	4
2	023.035	FLAT WASHER M14=15X28X2,5 6592 ZB	4
3	10011030	SCREW M 14 (DACR.320A) L220	4
4	10017102	FRONT LINKAGE	2
5	10041100	SEEDING ELEM. FUTURA-5 BASE	1
5	10041102	SEEDING ELEM. FUTURA-5 MEXICO	1
5	10041104	SEEDING ELEM. FUTURA-5 FRONT DISCS	1
5	10041106	SEEDING ELEM. FUTURA-5 DISCS AND COVERS.	1
5	10041108	SEEDING ELEM. FUTURA-5 V IRON WHEELS	1
5	10041112	SEEDING ELEM. FUTURA-5 V WHEELS 1"	1
5	10041114	SEEDING ELEM. FUTURA-5 V WHEELS 2"	1

S.N.

**S.N.**

Pos.	Code	Description	Quantity
1	021.406	SELF-LOCKING NUT M 6 7473 INOX	4
2	021.815	SCREW TE M 6X25 8.8 5739 INOX	4
3	022.606	FLAT WASHER M6=6,5 X18X1,5 9021 INOX	4
4	10004232	ELEMENT 35 L L=240 WHITE DRILLED LOGO	1
5	10004236	PLATE TANK BLOCK	2
6	10004240	COMPL. ASSY HOPPER PET SEED V.5	1

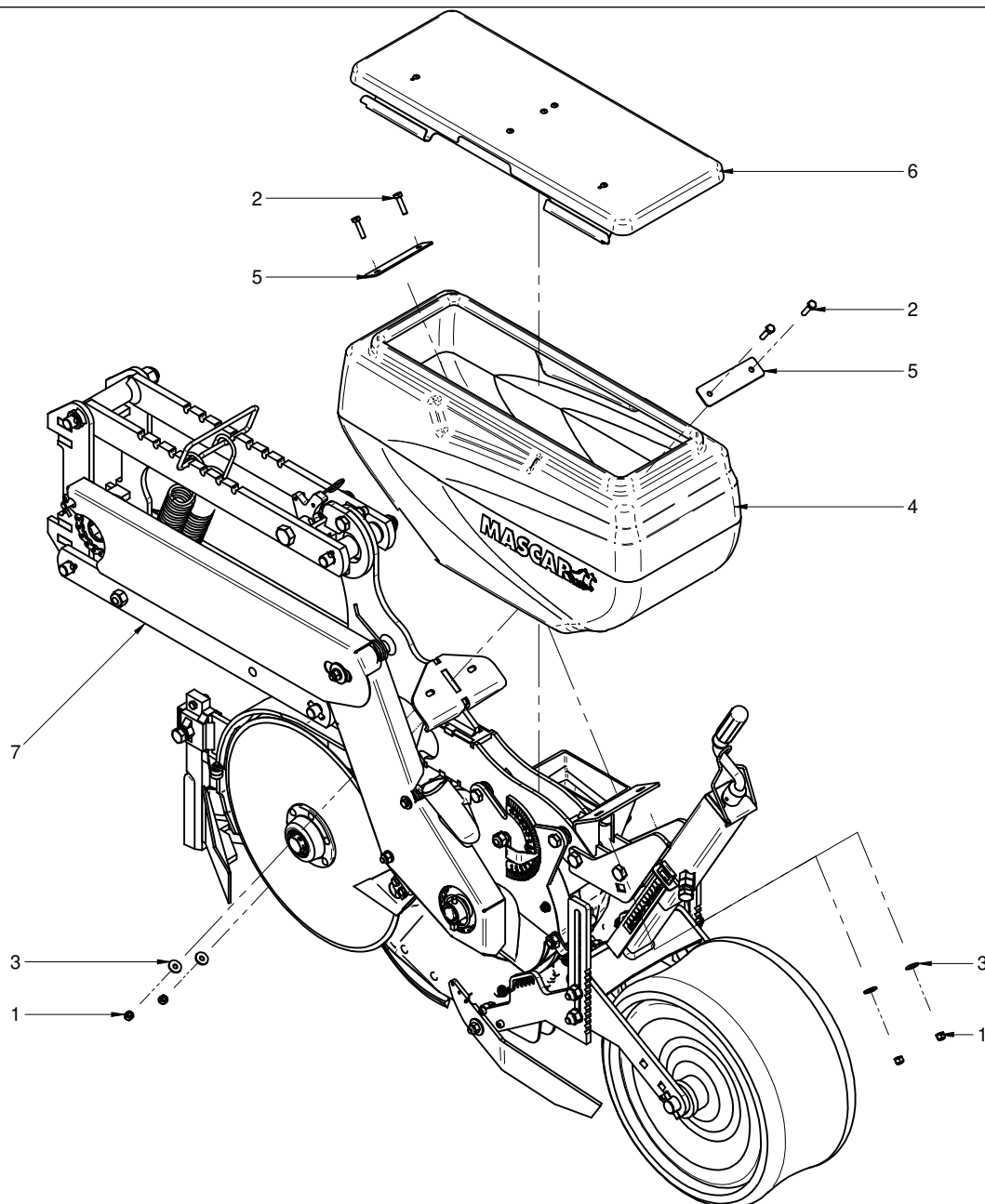
S.N.



S.N.

Pos.	Code	Description	Quantity
1	021.406	SELF-LOCKING NUT M 6 7473 INOX	4
2	021.815	SCREW TE M 6X25 8.8 5739 INOX	4
3	022.606	FLAT WASHER M6=6,5 X18X1,5 9021 INOX	4
4	10004232	ELEMENT 35 L L=240 WHITE DRILLED LOGO	1
5	10004236	PLATE TANK BLOCK	2
6	10004240	COMPL. ASSY HOPPER PET SEED V.5	1

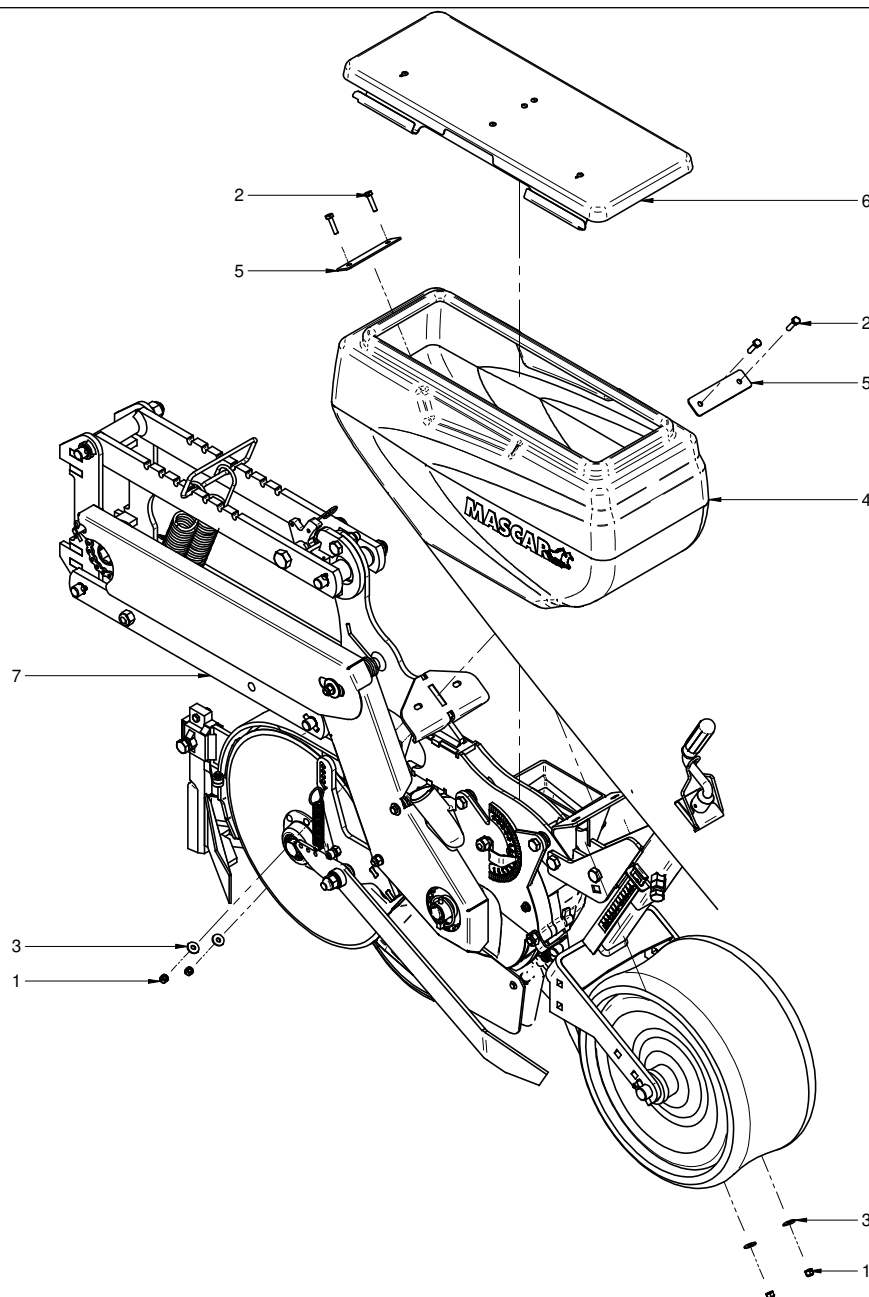
S.N.



S.N.

Pos.	Code	Description	Quantity
1	021.406	SELF-LOCKING NUT M 6 7473 INOX	4
2	021.815	SCREW TE M 6X25 8.8 5739 INOX	4
3	022.606	FLAT WASHER M6=6,5 X18X1,5 9021 INOX	4
4	10004232	ELEMENT 35 L L=240 WHITE DRILLED LOGO	1
5	10004236	PLATE TANK BLOCK	2
6	10004240	COMPL. ASSY HOPPER PET SEED V.5	1

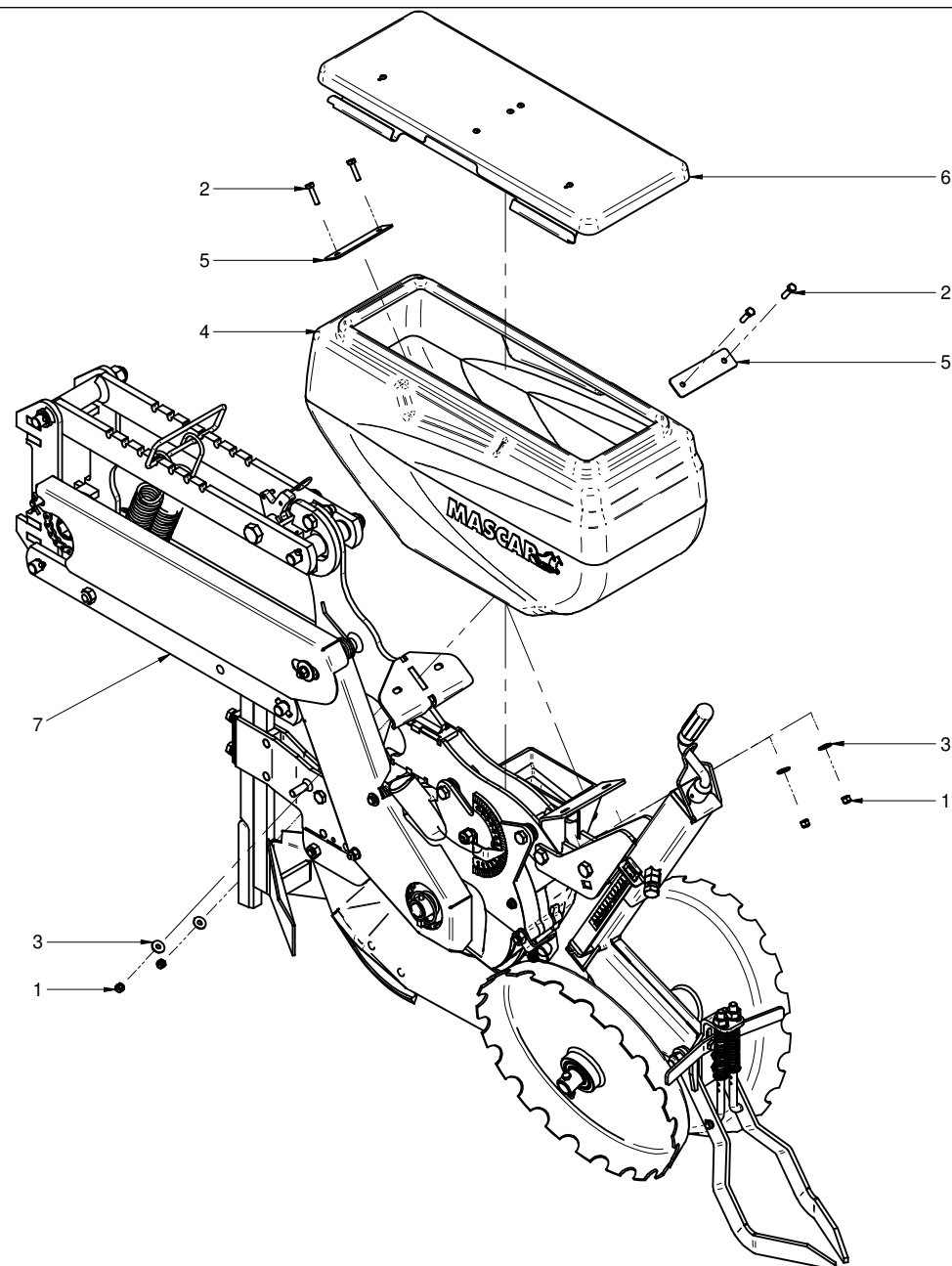
S.N.



S.N.

Pos.	Code	Description	Quantity
1	021.406	SELF-LOCKING NUT M 6 7473 INOX	4
2	021.815	SCREW TE M 6X25 8.8 5739 INOX	4
3	022.606	FLAT WASHER M6=6,5 X18X1,5 9021 INOX	4
4	10004232	ELEMENT 35 L L=240 WHITE DRILLED LOGO	1
5	10004236	PLATE TANK BLOCK	2
6	10004240	COMPL. ASSY HOPPER PET SEED V.5	1

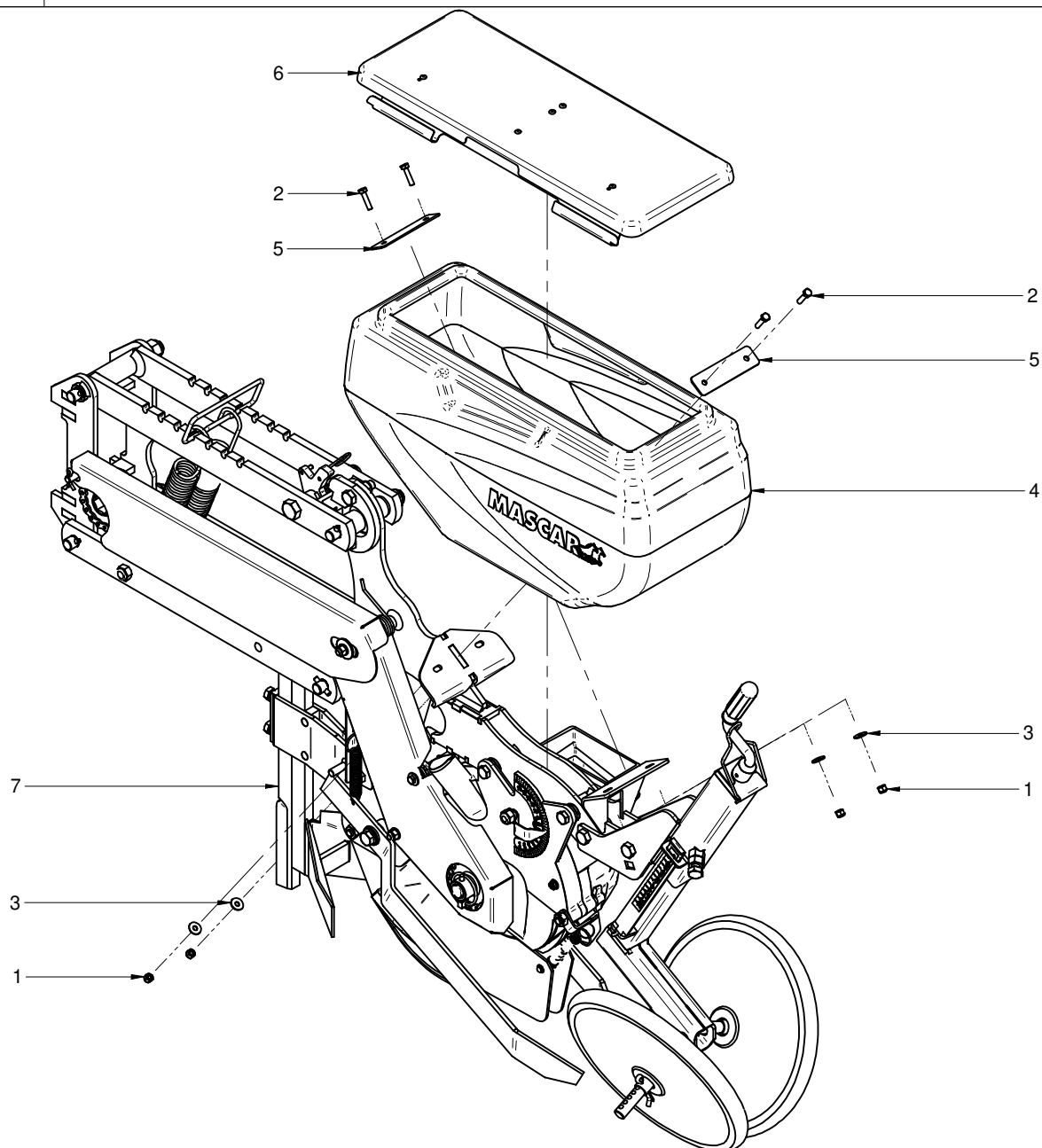
S.N.



S.N.

Pos.	Code	Description	Quantity
1	021.406	SELF-LOCKING NUT M 6 7473 INOX	4
2	021.815	SCREW TE M 6X25 8.8 5739 INOX	4
3	022.606	FLAT WASHER M6=6,5 X18X1,5 9021 INOX	4
4	10004232	ELEMENT 35 L L=240 WHITE DRILLED LOGO	1
5	10004236	PLATE TANK BLOCK	2
6	10004240	COMPL. ASSY HOPPER PET SEED V.5	1

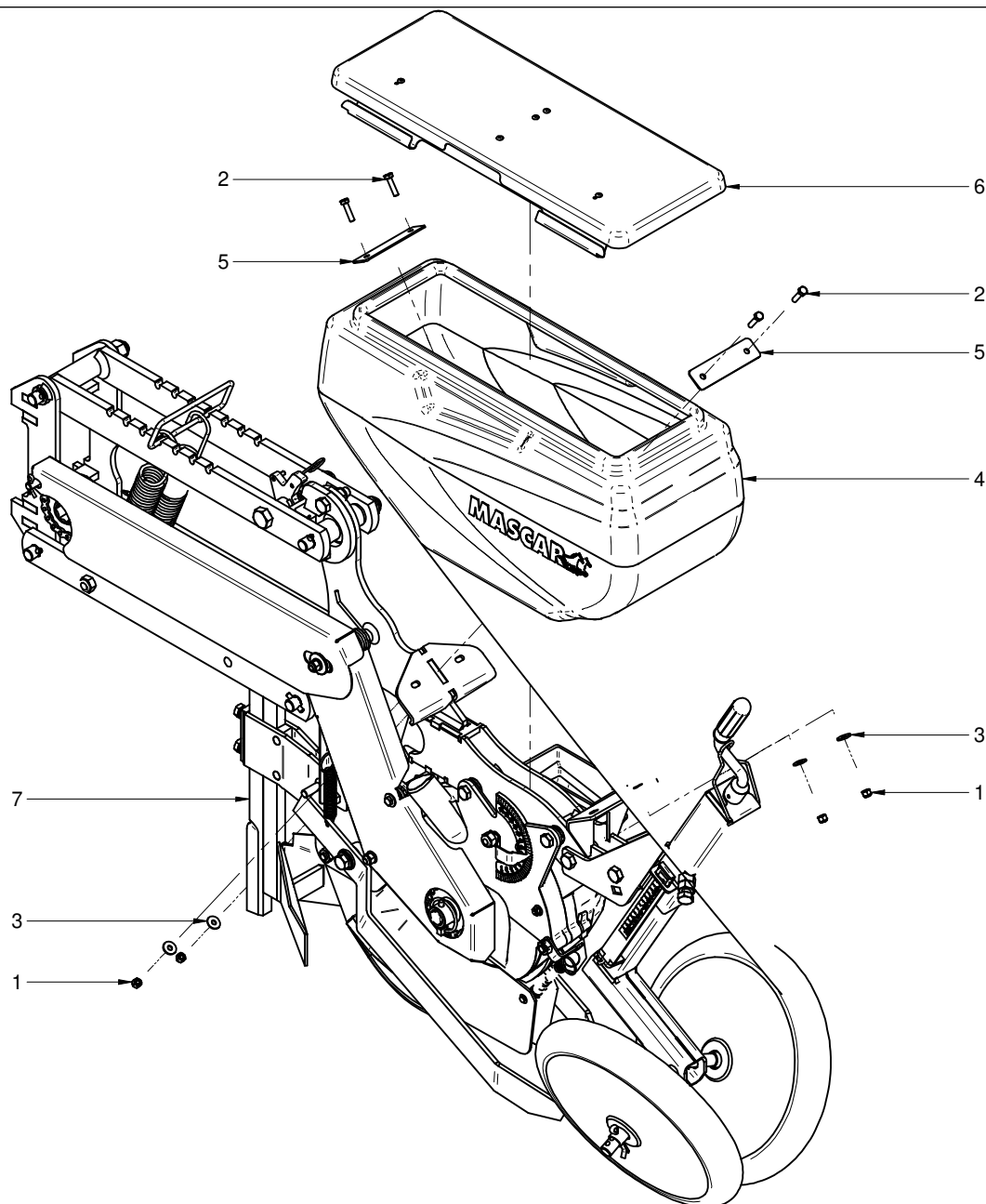
S.N.



S.N.

Pos.	Code	Description	Quantity
1	021.406	SELF-LOCKING NUT M 6 7473 INOX	4
2	021.815	SCREW TE M 6X25 8.8 5739 INOX	4
3	022.606	FLAT WASHER M6=6,5 X18X1,5 9021 INOX	4
4	10004232	ELEMENT 35 L L=240 WHITE DRILLED LOGO	1
5	10004236	PLATE TANK BLOCK	2
6	10004240	COMPL. ASSY HOPPER PET SEED V.5	1

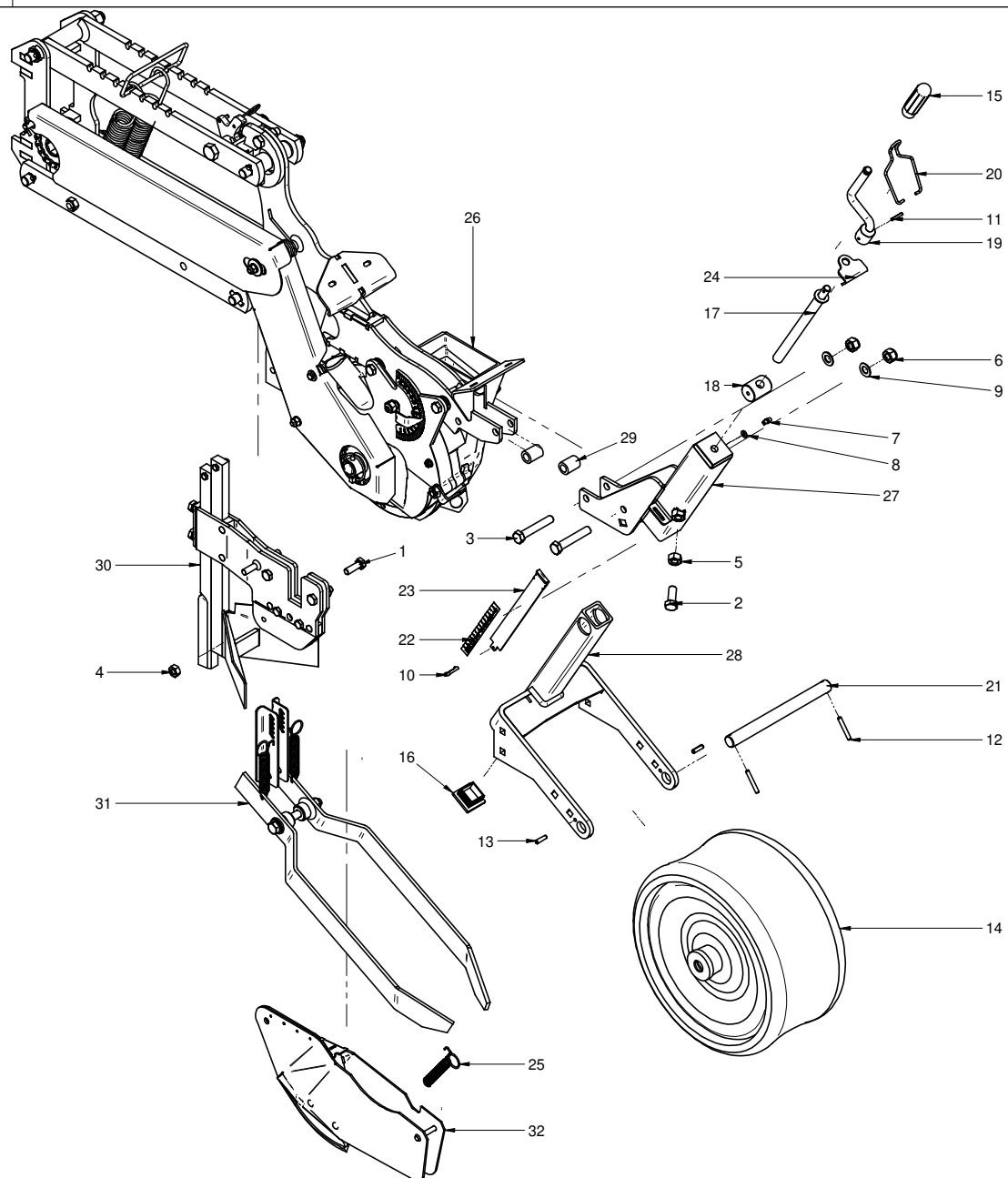
S.N.



S.N.

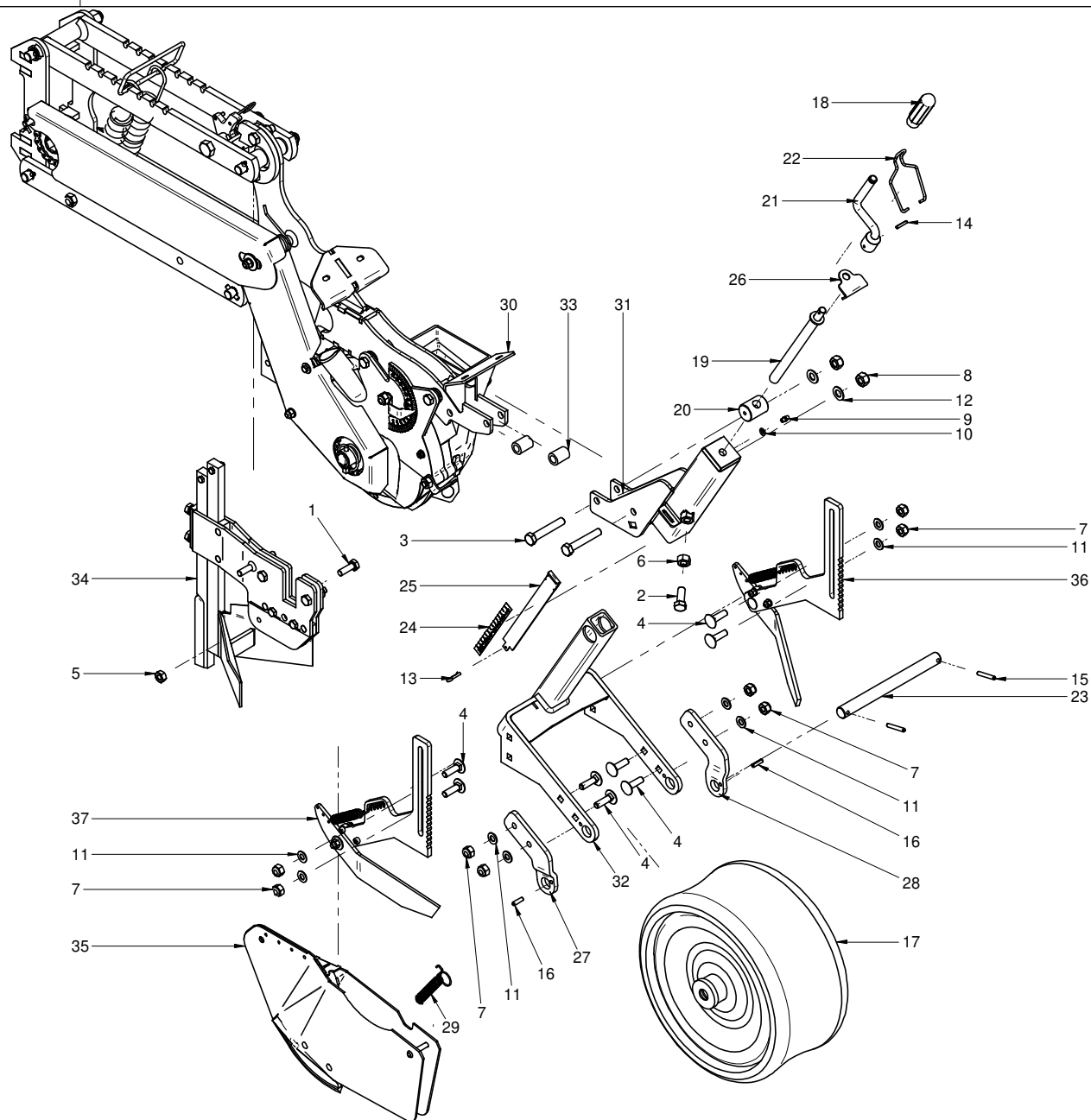
Pos.	Code	Description	Quantity
1	021.406	SELF-LOCKING NUT M 6 7473 INOX	4
2	021.815	SCREW TE M 6X25 8.8 5739 INOX	4
3	022.606	FLAT WASHER M6=6,5 X18X1,5 9021 INOX	4
4	10004232	ELEMENT 35 L L=240 WHITE DRILLED LOGO	1
5	10004236	PLATE TANK BLOCK	2
6	10004240	COMPL. ASSY HOPPER PET SEED V.5	1

S.N.

**S.N.**

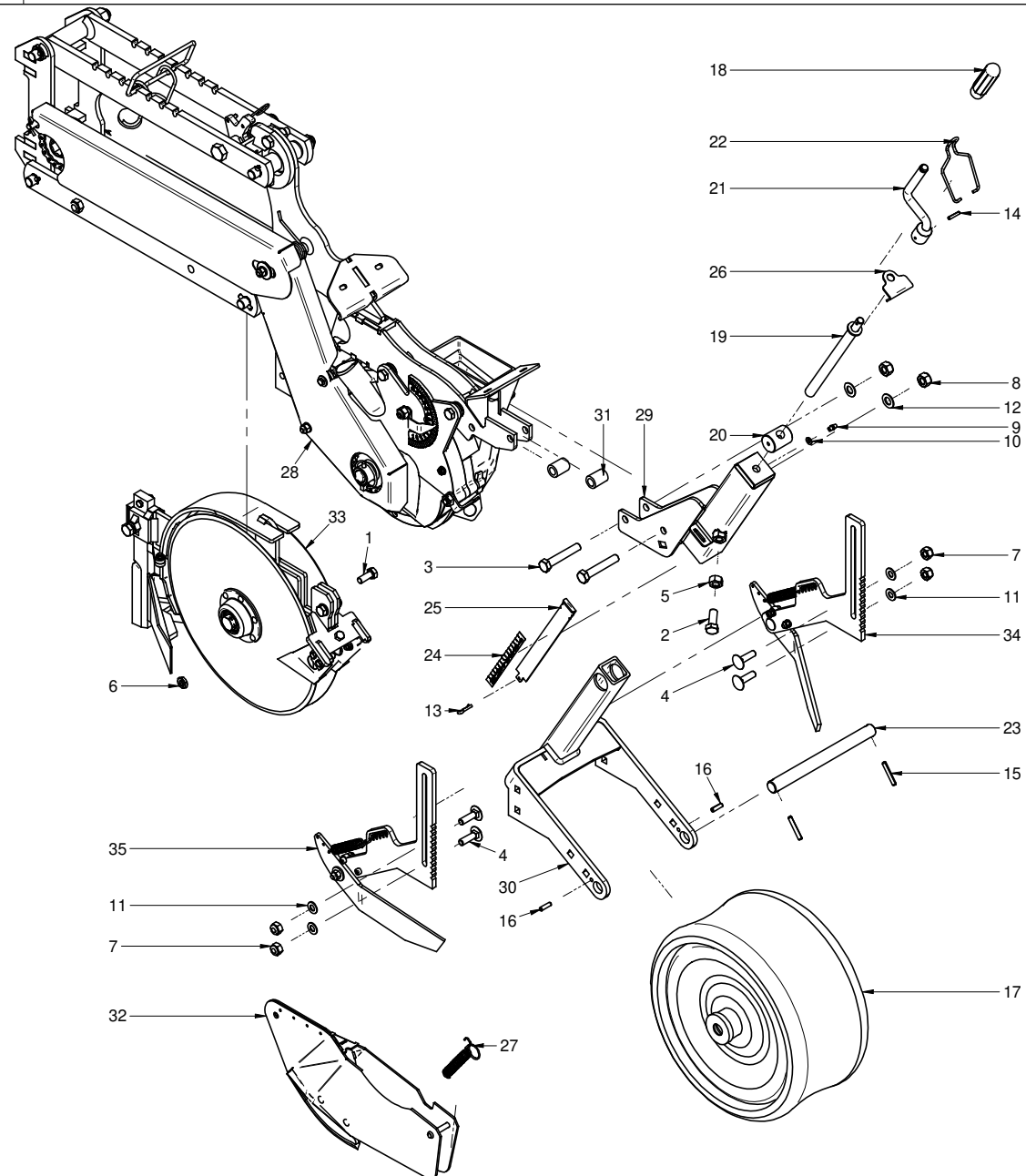
Pos.	Code	Description	Quantity
1	020.102	SCREW TE M 10X30 8.8 5739 ZB	1
2	020.152	SCREW TE M 12X30 8.8 5739 ZB	1
3	020.176	SCREW TE M 12X70 8.8 5737 ZB	2
4	021.004	NUT E 6S M 10 5588 ZB	1
5	021.005	NUT E 6S M 12 5588 ZB	1
6	021.113	SELF-LOCKING NUT M12 7473 ZB	2
7	022.001	GREASE DEVICE M6X1 UNI 7663A	1
8	023.010	FLAT WASHER M6=6,3X12X1,6 6592 ZB	1
9	023.040	FLAT WASHER M12=13X24X2,5 6592 ZB	2
10	024.229	COVER D. 4X18 ZB 1336	1
11	024.280	ELASTIC PIN D. 4X24 6873 NE	1
12	024.345	ELASTIC PIN D. 6X40 6873 NE	2
13	024.348	ELASTIC PIN D. 6X22 6873 NE	2
14	040.300	FLEX 370X165 CV (MBF) RUBBER WHEEL	1
15	095.047	KNOB "RIMA"DI.14 L=85	1
16	095.077	PIPE CAP Q. 40 S.5 POL. BLACK	1
17	10001708	WELD ASSY ADJUSTMENT SCREW	1
18	10001709	BUSHING FOR ADJUSTMENT SCREW ZB	1
19	10001710	WELD ASSY HANDLE SET ZB	1
20	10001711	FIXING SPRING ZB	1
21	10001714	WHEEL PIN ZB	1
22	10009825	STICKER WHEEL HIGHT "0-13"	1
23	10031716	DEPTH INDICATOR L=237,5 ZB	1
24	10031717	PLATE FOR SPRING	1
25	10031912	SEED COVER SPRING ZB	1
26	10041150	COMPL. ASSY ELEMENT FUTURA-5	1
27	10041540	WELD ASSY ADJ. TUBE WHEELS SUPPORT	1
28	10041550	WELD ASSY FORK	1
29	10041566	SPACER D.21,3XD13,3 L=28	2
30	10041570	COMPL. ASSY PLOUGH SHARE TIGHT 170MM	1
31	10041590	COMPL. ASSY COVER SEED FUTURA-5	1
32	10041600	WELD ASSY COULTER "MAIS V4"	1
32	10041620	WELD ASSY COULTER "MAIS MESSICO"	1

S.N.

**S.N.**

Pos.	Code	Description	Quantity
1	020.102	SCREW TE M 10X30 8.8 5739 ZB	1
2	020.152	SCREW TE M 12X30 8.8 5739 ZB	1
3	020.176	SCREW TE M 12X70 8.8 5737 ZB	2
4	020.612	SCREW TTQST M 10X35 4.6 5731 ZB	8
5	021.004	NUT E 6S M 10 5588 ZB	1
6	021.005	NUT E 6S M 12 5588 ZB	1
7	021.112	SELF-LOCKING NUT M10 7473 ZB	8
8	021.113	SELF-LOCKING NUT M12 7473 ZB	2
9	022.001	GREASE DEVICE M6X1 UNI 7663A	1
10	023.010	FLAT WASHER M6=6,3X12X1,6 6592 ZB	1
11	023.030	FLAT WASHER M10=10,5X20X2 6592 ZB	8
12	023.040	FLAT WASHER M12=13X24X2,5 6592 ZB	2
13	024.229	COVER D. 4X18 ZB 1336	1
14	024.280	ELASTIC PIN D. 4X24 6873 NE	1
15	024.345	ELASTIC PIN D. 6X40 6873 NE	2
16	024.348	ELASTIC PIN D. 6X22 6873 NE	2
17	040.300	FLEX 370X165 CV (MBF) RUBBER WHEEL	1
18	095.047	KNOB "RIMA"DI.14 L=85	1
19	10001708	WELD ASSY ADJUSTMENT SCREW	1
20	10001709	BUSHING FOR ADJUSTMENT SCREW ZB	1
21	10001710	WELD ASSY HANDLE SET ZB	1
22	10001711	FIXING SPRING ZB	1
23	10001714	WHEEL PIN ZB	1
24	10009825	STICKER WHEEL HIGHT "0-13"	1
25	10031716	DEPTH INDICATOR L=237,5 ZB	1
26	10031717	PLATE FOR SPRING	1
27	10031754	TRIPLE CALMP MEXICO SX	1
28	10031755	TRIPLE CLAMP MEXICO DX	1
29	10031912	SEED COVER SPRING ZB	1
31	10041540	WELD ASSY ADJ. TUBE WHEELS SUPPORT	1
32	10041550	WELD ASSY FORK	1
33	10041566	SPACER D.21,3XD13,3 L=28	2
34	10041570	COMPL. ASSY PLOUGH SHARE TIGHT 170MM	1
35	10041620	WELD ASSY COULTER "MAIS MESSICO"	1
36	10041660	COMPL. ASSY COVER SEED FRONT DISCS DX	1
37	10041662	COMPL. ASSY COVER SEED FRONT DISCS SX	1

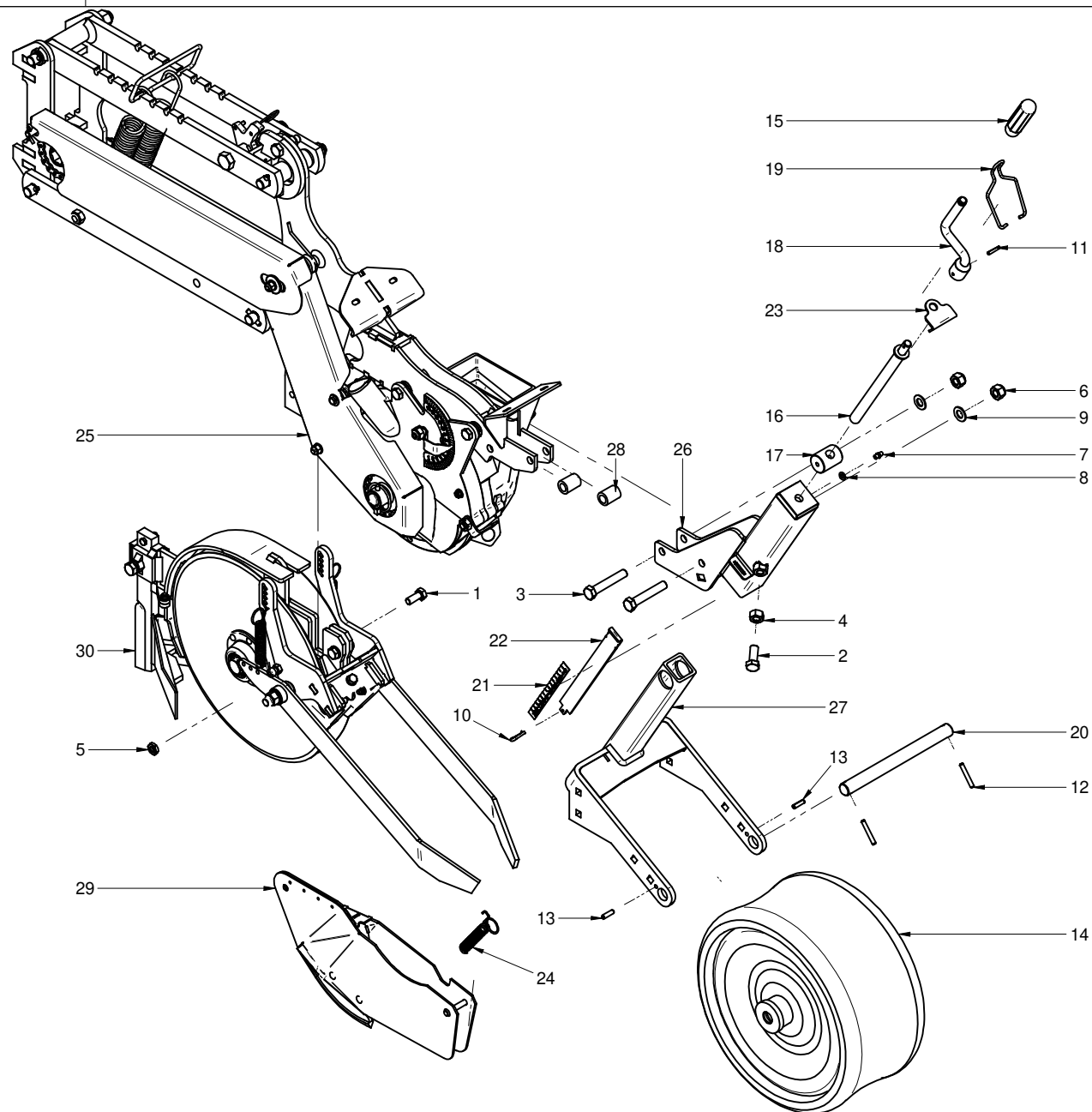
S.N.



S.N.

Pos.	Code	Description	Quantity
1	020.101	SCREW TE M 10X25 8.8 5739 ZB	1
2	020.152	SCREW TE M 12X30 8.8 5739 ZB	1
3	020.176	SCREW TE M 12X70 8.8 5737 ZB	2
4	020.612	SCREW TTQST M 10X35 4.6 5731 ZB	4
5	021.005	NUT E 6S M 12 5588 ZB	1
6	021.036	NUT E 6S M 10 5589 ZB	1
7	021.112	SELF-LOCKING NUT M10 7473 ZB	4
8	021.113	SELF-LOCKING NUT M12 7473 ZB	2
9	022.001	GREASE DEVICE M6X1 UNI 7663A	1
10	023.010	FLAT WASHER M6=6,3X12X1,6 6592 ZB	1
11	023.030	FLAT WASHER M10=10,5X20X2 6592 ZB	4
12	023.040	FLAT WASHER M12=13X24X2,5 6592 ZB	2
13	024.229	COVER D. 4X18 ZB 1336	1
14	024.280	ELASTIC PIN D. 4X24 6873 NE	1
15	024.345	ELASTIC PIN D. 6X40 6873 NE	2
16	024.348	ELASTIC PIN D. 6X22 6873 NE	2
17	040.300	FLEX 370X165 CV (MBF) RUBBER WHEEL	1
18	095.047	KNOB "RIMA"DI.14 L=85	1
19	10001708	WELD ASSY ADJUSTMENT SCREW	1
20	10001709	BUSHING FOR ADJUSTMENT SCREW ZB	1
21	10001710	WELD ASSY HANDLE SET ZB	1
22	10001711	FIXING SPRING ZB	1
23	10001714	WHEEL PIN ZB	1
24	10009825	STICKER WHEEL HIGHT "0-13"	1
25	10031716	DEPTH INDICATOR L=237,5 ZB	1
26	10031717	PLATE FOR SPRING	1
27	10031912	SEED COVER SPRING ZB	1
29	10041540	WELD ASSY ADJ. TUBE WHEELS SUPPORT	1
30	10041550	WELD ASSY FORK	1
31	10041566	SPACER D.21,3XD13,3 L=28	2
32	10041600	WELD ASSY COULTER "MAIS V4"	1
33	10041640	COMPL. ASSY FRONT DISCS FUTURA-5	1
34	10041660	COMPL. ASSY COVER SEED FRONT DISCS DX	1
35	10041662	COMPL. ASSY COVER SEED FRONT DISCS SX	1

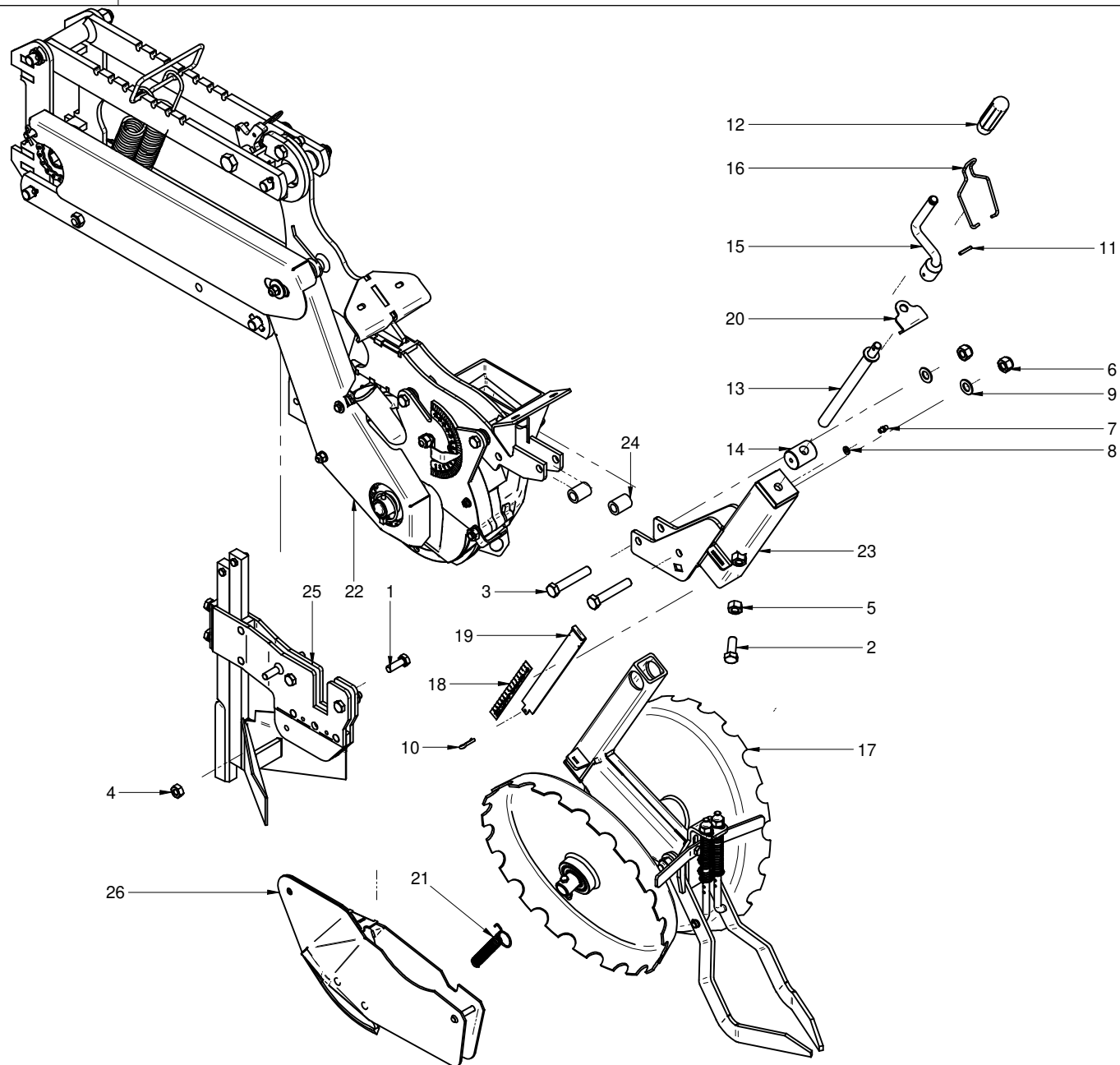
S.N.



S.N.

Pos.	Code	Description	Quantity
1	020.101	SCREW TE M 10X25 8.8 5739 ZB	1
2	020.152	SCREW TE M 12X30 8.8 5739 ZB	1
3	020.176	SCREW TE M 12X70 8.8 5737 ZB	2
4	021.005	NUT E 6S M 12 5588 ZB	1
5	021.036	NUT E 6S M 10 5589 ZB	1
6	021.113	SELF-LOCKING NUT M12 7473 ZB	2
7	022.001	GREASE DEVICE M6X1 UNI 7663A	1
8	023.010	FLAT WASHER M6=6,3X12X1,6 6592 ZB	1
9	023.040	FLAT WASHER M12=13X24X2,5 6592 ZB	2
10	024.229	COVER D. 4X18 ZB 1336	1
11	024.280	ELASTIC PIN D. 4X24 6873 NE	1
12	024.345	ELASTIC PIN D. 6X40 6873 NE	2
13	024.348	ELASTIC PIN D. 6X22 6873 NE	2
14	040.300	FLEX 370X165 CV (MBF) RUBBER WHEEL	1
15	095.047	KNOB "RIMA"DI.14 L=85	1
16	10001708	WELD ASSY ADJUSTMENT SCREW	1
17	10001709	BUSHING FOR ADJUSTMENT SCREW ZB	1
18	10001710	WELD ASSY HANDLE SET ZB	1
19	10001711	FIXING SPRING ZB	1
20	10001714	WHEEL PIN ZB	1
21	10009825	STICKER WHEEL HIGHT "0-13"	1
22	10031716	DEPTH INDICATOR L=237,5 ZB	1
23	10031717	PLATE FOR SPRING	1
24	10031912	SEED COVER SPRING ZB	1
26	10041540	WELD ASSY ADJ. TUBE WHEELS SUPPORT	1
27	10041550	WELD ASSY FORK	1
28	10041566	SPACER D.21,3XD13,3 L=28	2
29	10041600	WELD ASSY COULTER "MAIS V4"	1
30	10041650	COMPL. ASSY DISCS AND COVER SEED	1

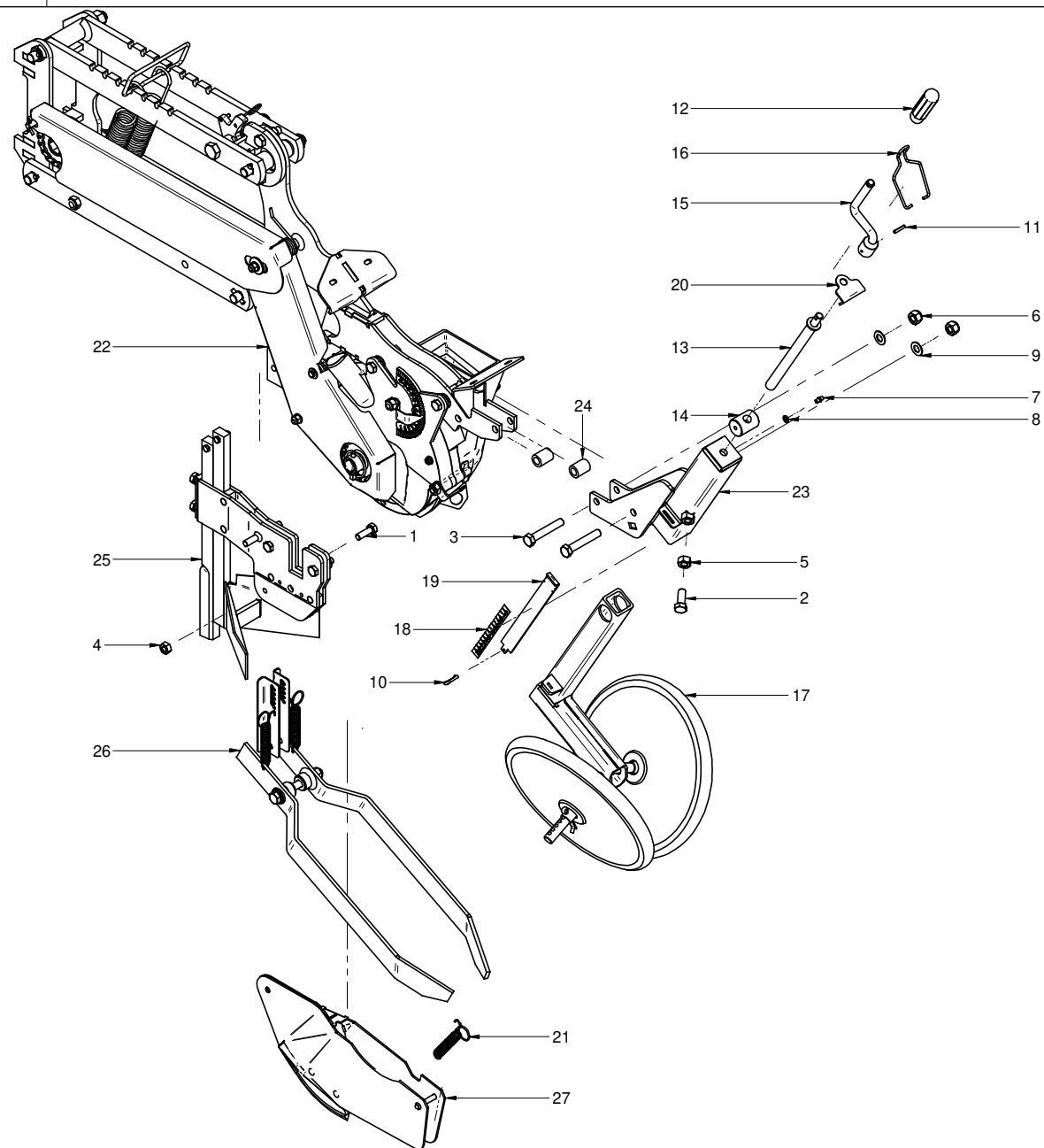
S.N.



S.N.

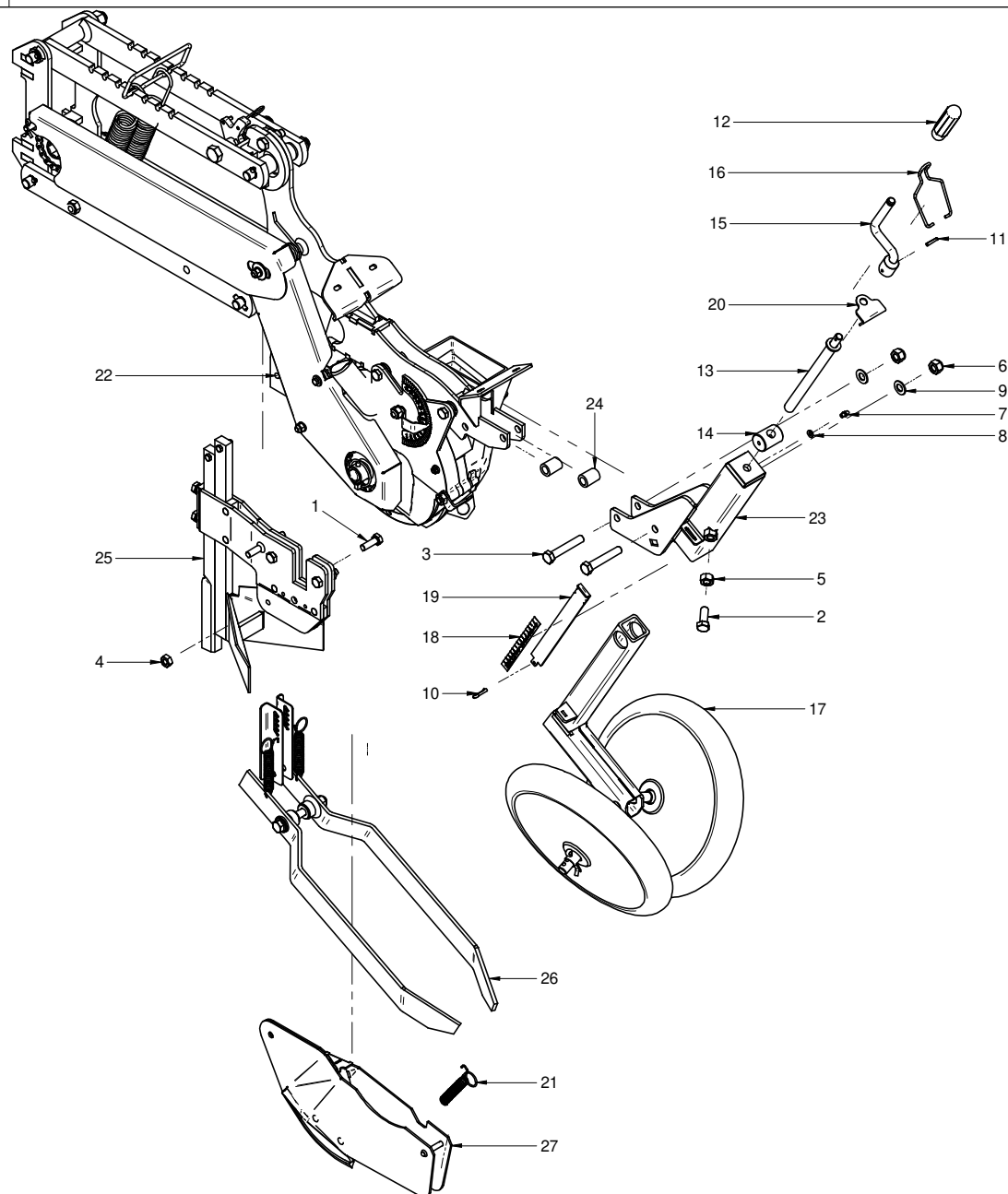
Pos.	Code	Description	Quantity
1	020.102	SCREW TE M 10X30 8.8 5739 ZB	1
2	020.152	SCREW TE M 12X30 8.8 5739 ZB	1
3	020.176	SCREW TE M 12X70 8.8 5737 ZB	2
4	021.004	NUT E 6S M 10 5588 ZB	1
5	021.005	NUT E 6S M 12 5588 ZB	1
6	021.113	SELF-LOCKING NUT M12 7473 ZB	2
7	022.001	GREASE DEVICE M6X1 UNI 7663A	1
8	023.010	FLAT WASHER M6=6,3X12X1,6 6592 ZB	1
9	023.040	FLAT WASHER M12=13X24X2,5 6592 ZB	2
10	024.229	COVER D. 4X18 ZB 1336	1
11	024.280	ELASTIC PIN D. 4X24 6873 NE	1
12	095.047	KNOB "RIMA"DI.14 L=85	1
13	10001708	WELD ASSY ADJUSTMENT SCREW	1
14	10001709	BUSHING FOR ADJUSTMENT SCREW ZB	1
15	10001710	WELD ASSY HANDLE SET ZB	1
16	10001711	FIXING SPRING ZB	1
17	10002140	COMPL. ASSY V IRON WHEELS	1
18	10009825	STICKER WHEEL HIGHT "0-13"	1
19	10031716	DEPTH INDICATOR L=237,5 ZB	1
20	10031717	PLATE FOR SPRING	1
21	10031912	SEED COVER SPRING ZB	1
23	10041540	WELD ASSY ADJ. TUBE WHEELS SUPPORT	1
24	10041566	SPACER D.21,3XD13,3 L=28	2
25	10041570	COMPL. ASSY PLOUGH SHARE TIGHT 170MM	1
26	10041600	WELD ASSY COULTER "MAIS V4"	1

S.N.

**S.N.**

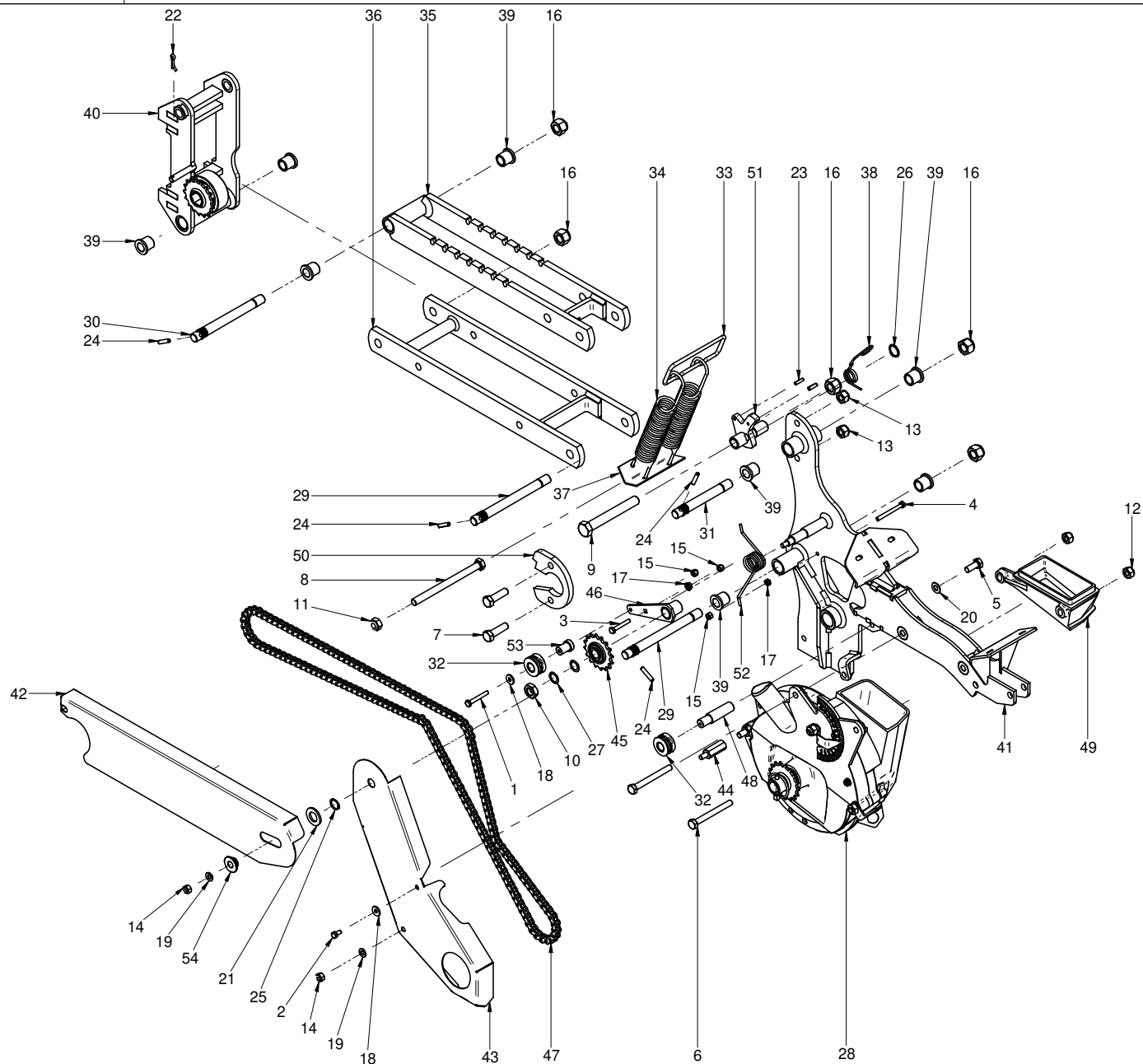
Pos.	Code	Description	Quantity
1	020.102	SCREW TE M 10X30 8.8 5739 ZB	1
2	020.152	SCREW TE M 12X30 8.8 5739 ZB	1
3	020.176	SCREW TE M 12X70 8.8 5737 ZB	2
4	021.004	NUT E 6S M 10 5588 ZB	1
5	021.005	NUT E 6S M 12 5588 ZB	1
6	021.113	SELF-LOCKING NUT M12 7473 ZB	2
7	022.001	GREASE DEVICE M6X1 UNI 7663A	1
8	023.010	FLAT WASHER M6=6,3X12X1,6 6592 ZB	1
9	023.040	FLAT WASHER M12=13X24X2,5 6592 ZB	2
10	024.229	COVER D. 4X18 ZB 1336	1
11	024.280	ELASTIC PIN D. 4X24 6873 NE	1
12	095.047	KNOB "RIMA"DI.14 L=85	1
13	10001708	WELD ASSY ADJUSTMENT SCREW	1
14	10001709	BUSHING FOR ADJUSTMENT SCREW ZB	1
15	10001710	WELD ASSY HANDLE SET ZB	1
16	10001711	FIXING SPRING ZB	1
17	10002160	COMPL. ASSY V PLASTIC WHEEL 1"	1
18	10009825	STICKER WHEEL HIGHT "0-13"	1
19	10031716	DEPTH INDICATOR L=237,5 ZB	1
20	10031717	PLATE FOR SPRING	1
21	10031912	SEED COVER SPRING ZB	1
22	10041150	COMPL. ASSY ELEMENT FUTURA-5	1
23	10041540	WELD ASSY ADJ. TUBE WHEELS SUPPORT	1
24	10041566	SPACER D.21,3XD13,3 L=28	2
25	10041570	COMPL. ASSY PLOUGH SHARE TIGHT 170MM	1
26	10041590	COMPL. ASSY COVER SEED FUTURA-5	1
27	10041600	WELD ASSY COULTER "MAIS V4"	1

S.N.

**S.N.**

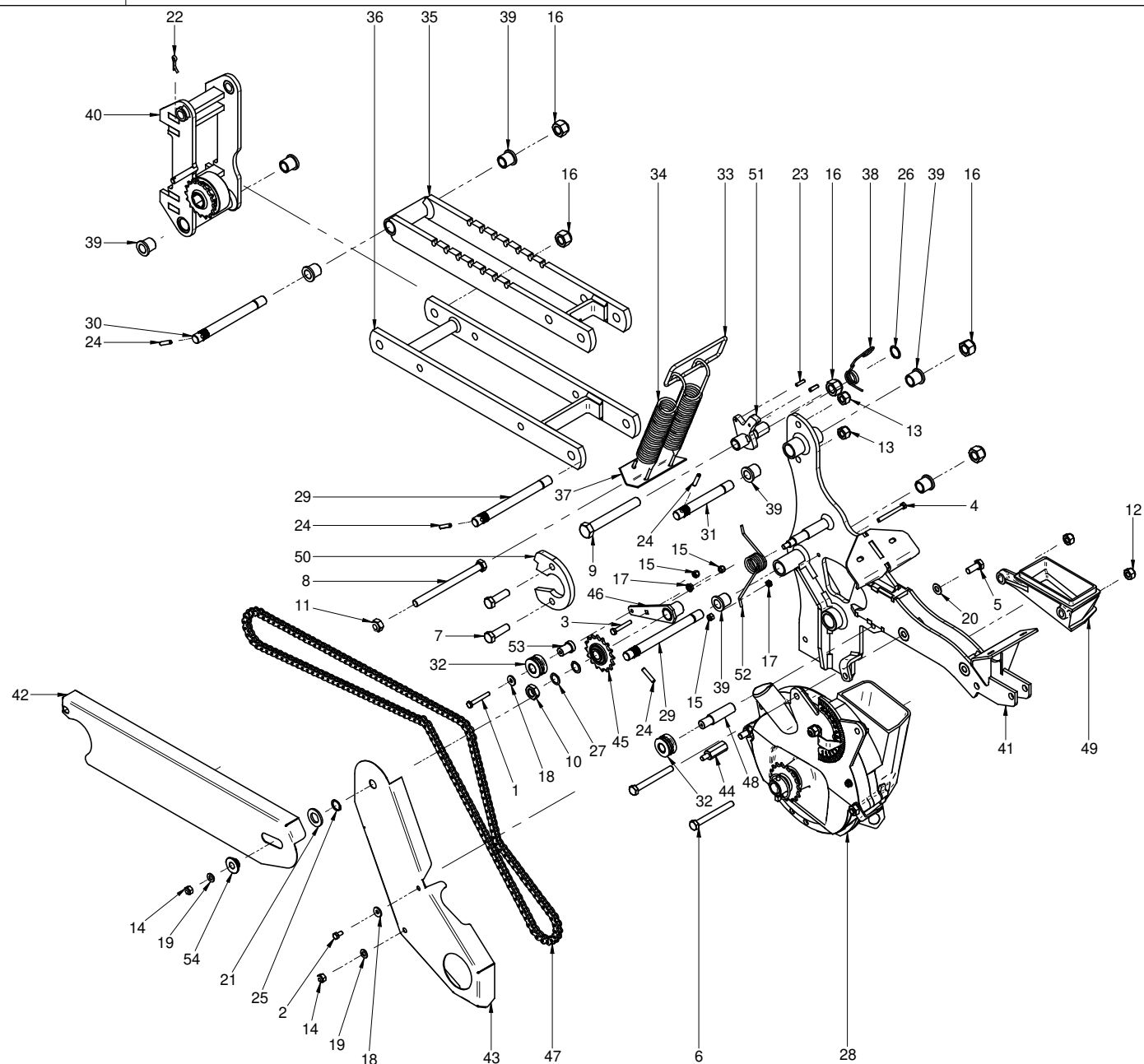
Pos.	Code	Description	Quantity
1	020.102	SCREW TE M 10X30 8.8 5739 ZB	1
2	020.152	SCREW TE M 12X30 8.8 5739 ZB	1
3	020.176	SCREW TE M 12X70 8.8 5737 ZB	2
4	021.004	NUT E 6S M 10 5588 ZB	1
5	021.005	NUT E 6S M 12 5588 ZB	1
6	021.113	SELF-LOCKING NUT M12 7473 ZB	2
7	022.001	GREASE DEVICE M6X1 UNI 7663A	1
8	023.010	FLAT WASHER M6=6,3X12X1,6 6592 ZB	1
9	023.040	FLAT WASHER M12=13X24X2,5 6592 ZB	2
10	024.229	COVER D. 4X18 ZB 1336	1
11	024.280	ELASTIC PIN D. 4X24 6873 NE	1
12	095.047	KNOB "RIMA"DI.14 L=85	1
13	10001708	WELD ASSY ADJUSTMENT SCREW	1
14	10001709	BUSHING FOR ADJUSTMENT SCREW ZB	1
15	10001710	WELD ASSY HANDLE SET ZB	1
16	10001711	FIXING SPRING ZB	1
17	10002162	COMPL. ASSY V PLASTIC WHEELS 2"	1
18	10009825	STICKER WHEEL HIGHT "0-13"	1
19	10031716	DEPTH INDICATOR L=237,5 ZB	1
20	10031717	PLATE FOR SPRING	1
21	10031912	SEED COVER SPRING ZB	1
23	10041540	WELD ASSY ADJ. TUBE WHEELS SUPPORT	1
24	10041566	SPACER D.21,3XD13,3 L=28	2
25	10041570	COMPL. ASSY PLOUGH SHARE TIGHT 170MM	1
26	10041590	COMPL. ASSY COVER SEED FUTURA-5	1
27	10041600	WELD ASSY COULTER "MAIS V4"	1

S.N.

**S.N.**

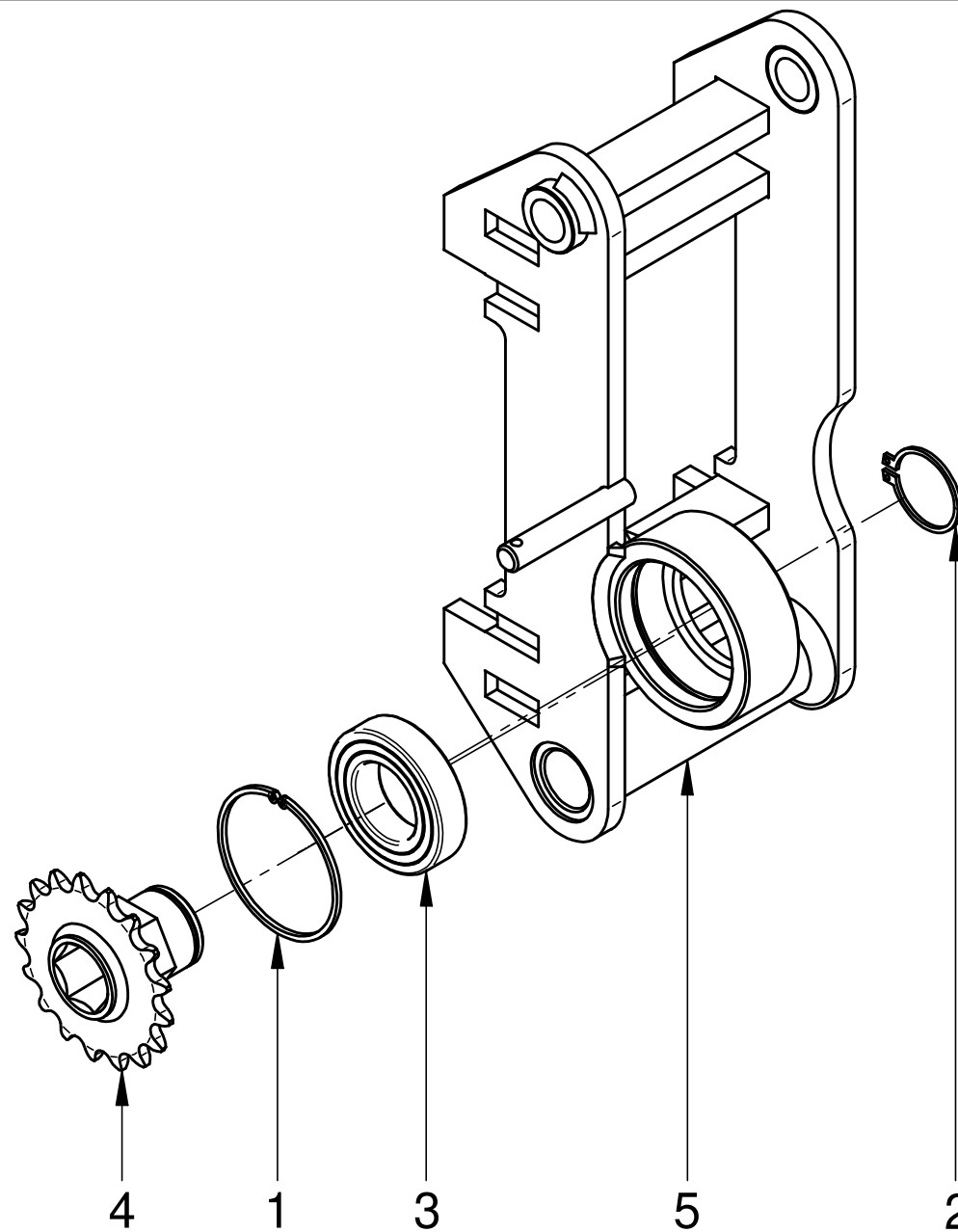
Pos.	Code	Description	Quantity
1	020.007	SCREW TE M 6X45 8.8 5739 ZB	1
2	020.009	SCREW TE M 6X12 8.8 5739 ZB	1
3	020.016	SCREW TE M 6X40 8.8 5739 ZB	1
4	020.021	SCREW TE M 6X60 8.8 5739 ZB	1
5	020.101	SCREW TE M 10X25 8.8 5739 ZB	1
6	020.110	SCREW TE M 10X90 8.8 5737 ZB	2
7	020.147	SCREW TE M 12X40 8.8 5737 ZB	2
8	020.172	SCREW TE M 12X160 8.8 5737 ZB	1
9	020.259	SCREW TE M 16X120 8.8 5737 ZB	1
10	021.052	NUT E 6S M 16 5589 ZB	1
11	021.104	SELF-LOCKING NUT M 12 7474 ZB	1
12	021.112	SELF-LOCKING NUT M10 7473 ZB	2
13	021.113	SELF-LOCKING NUT M12 7473 ZB	2
14	021.114	SELF-LOCKING NUT M8 7473 ZB	2
15	021.115	SELF-LOCKING NUT M6 7473 ZB	3
16	021.123	SELF-LOCKING NUT M14 7473 ZB	5
17	021.505	KNURLED NUT AND FLANGE M 6 D.6923 ZB	2
18	023.005	FLAT WASHER M6=6,6X18X2 6593 ZB	2
19	023.020	FLAT WASHER M8=8,4X16X1,6 6592 ZB	2
20	023.030	FLAT WASHER M10=10,5X20X2 6592 ZB	1
21	023.070	FLAT WASHER M18 ISO 7089 ZB	1
22	024.229	COVER D. 4X18 ZB 1336	1
23	024.318	ELASTIC PIN D. 5X20 6873 INOX	2
24	024.331	ELASTIC PIN D. 6X30 6873 INOX	4
25	028.104	SEEGER RING EXT. D.18 7435/471	1
26	028.105	SEEGER RING EXT. D. 20 7435/471	1
27	028.306	RING "PS" 16X22X1 DIN 988	2
28	10004700	COMPL. ASSY DISTRIBUTOR	1
29	10011054	PARALLELOGRAM PIN D.16 L=185	2
30	10011056	PARALLELOGRAM PIN D. 16 L=170	1
31	10011058	PARALLELOGRAM PIN D.16 L=136	1
32	10027477	CHAIN TIGHTENER ROLLER Z=10 1/2"X5/16"	2
33	10031052	ELEMENT PRESSURE SPRIN HANDLE ZB	1
34	10031055	ELEMENT PRESSURE SPRING ZB	2
35	10031070	WELD ASSY PARALLELOGRAM	1
36	10031080	WELD ASSY INFERIOR PARALELLOGRAM	1
37	10031090	STELL PLATE DISTANZ. PRESSURE SPRING ZB	1
38	10031432	SPRING HOOK	1
39	10041024	BUSH E SINT 16,1X22X28X3,5X23	8
41	10041500	WELD ASSY FUTURA ELEMEBT V4	1

S.N.

**S.N.**

Pos.	Code	Description	Quantity
42	10041530	TRANSMISSION COVER PLATE	1
43	10041532	COVER PLATE REAR TRANSMISSION	1
44	10041534	HEXAGONAL COLUMN COVER PLATE	1
45	10041536	CHAIN TENSIONER FOR PINION =16 1/2"X 3/1	1
46	10041558	WELD ASSY TENSIONER L=95	1
47	10041562	CHAIN 083-1 (1/2"X3/16") 152 LINKS	1
48	10041564	SUPPORT PIN FOR SPROCKET AND COVER PL.	1
49	10041580	TANK DISTRIBUTOR SHAFT	1
50	30031440	SWITCH FORK H=155 L=131	1
51	30031444	WELD ASSY HOOKING GROUP H=155 L=131	1
52	30031618	SPRING TIGHTENER ZB	1
53	30031640	RUNNER PIN D. 20X27,5 ZB	1
54	30031644	BUSHING COVER PLAYE MAXI	1

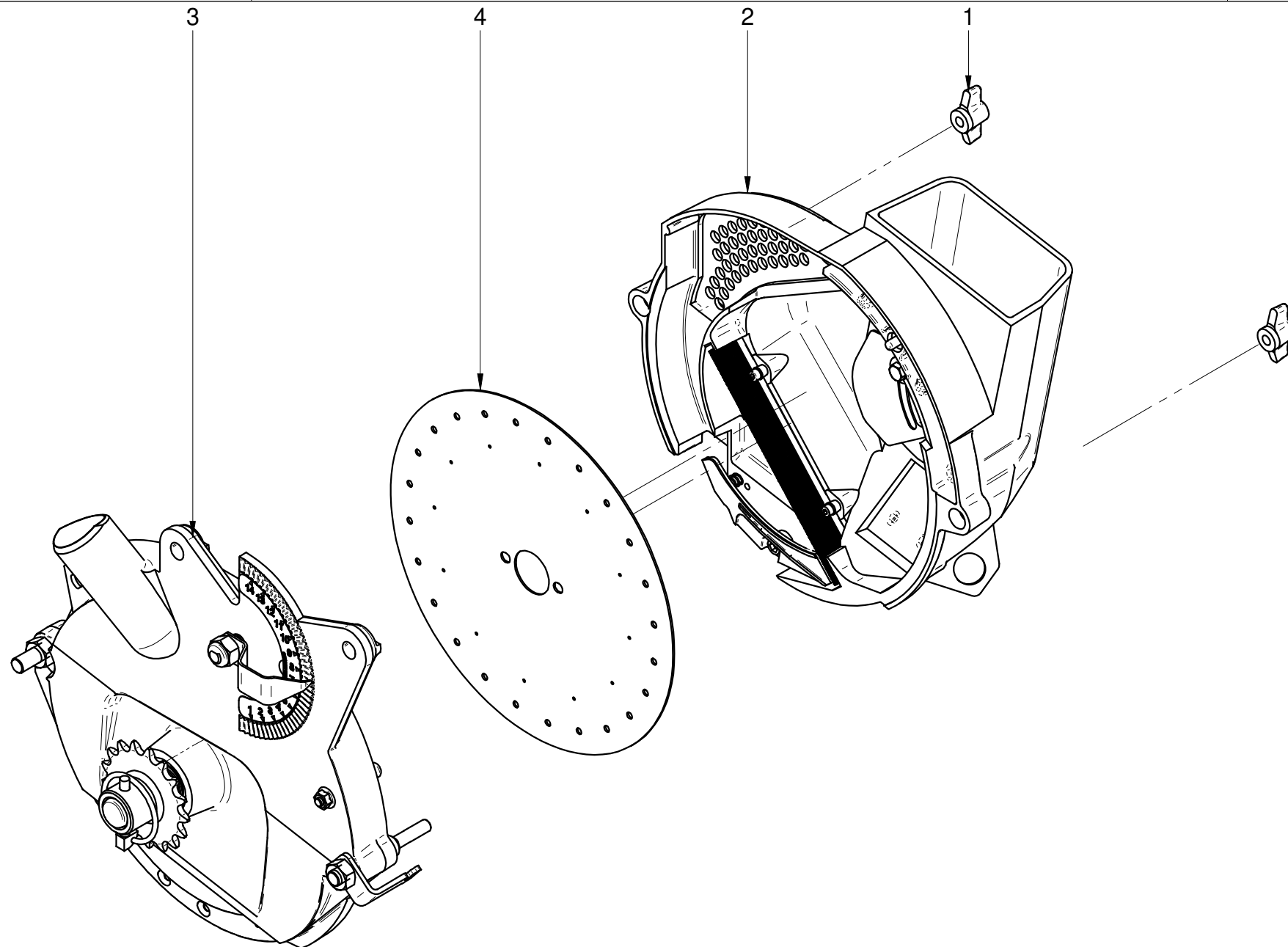
S.N.



S.N.

Pos.	Code	Description	Quantity
1	028.010	SEEGER RING INT. D. 55 7437/472	1
2	028.110	SEEGER RING EXT. D. 30 7435/471	1
3	050.002	BEARING 6006-2RS	1
4	10021254	WELD ASSY RIM GEAR	1
5	10041048	WELD ASSY LEFT CONNECTION PARALLELOGRAM	1

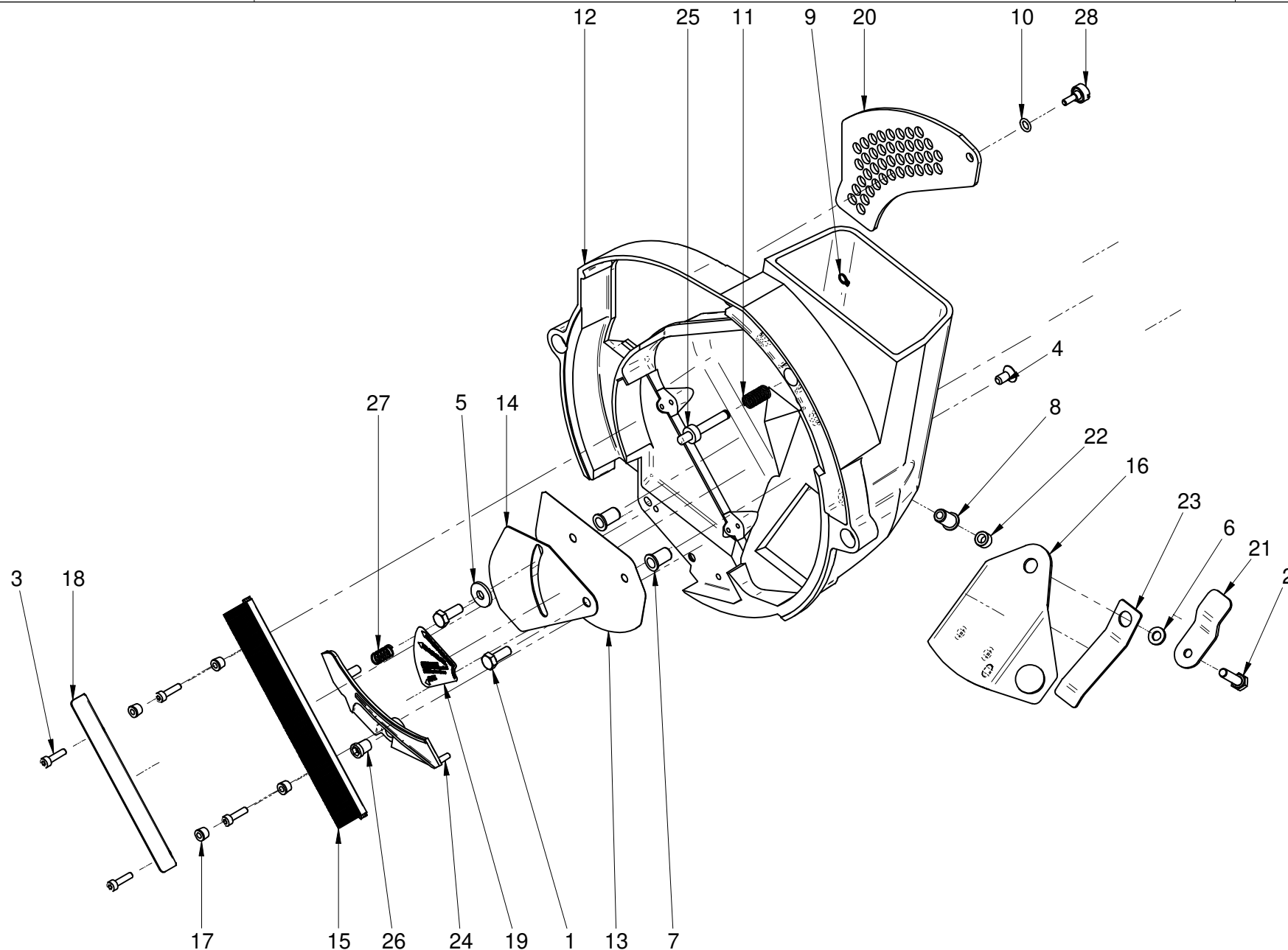
S.N.



S.N.

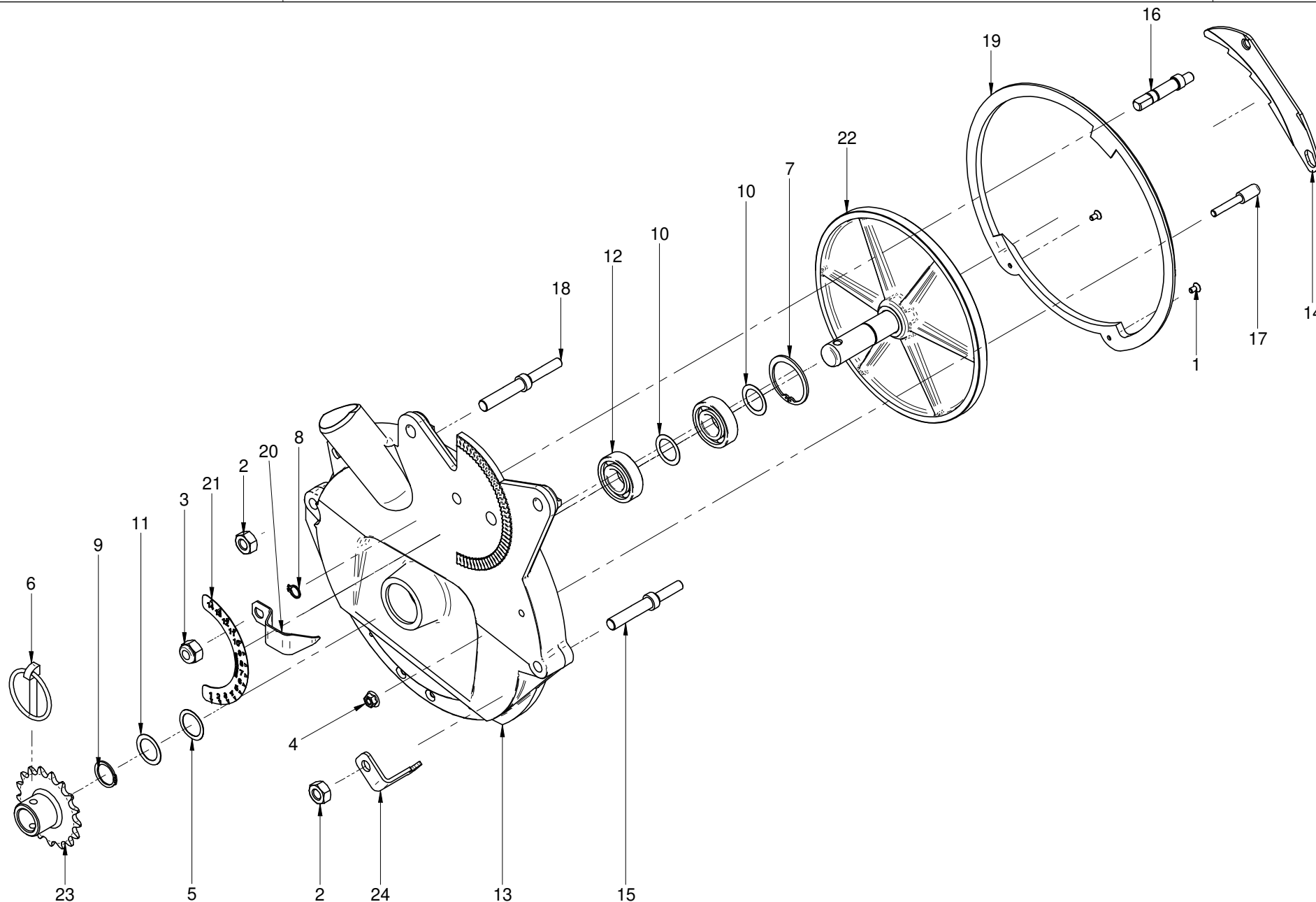
Pos.	Code	Description	Quantity
1	095.258	LOCKING KNOB GB/40/FP M8	2
4	10014602	DISC WITHOUT HOLES	1
4	10014634	SUNFLOWER DISCS	1
4	10014640	PUMPKIN DISCS	1
4	10014662	SUNFLOWER DISCS	1
4	10014682	SUGAR BEET DISCS	1
4	10014690	STANDARD MAIZE DISCS	1
4	10014692	BIG MAIZE DISCS	1
4	10014728	CUCUMBER DISCS	1
4	10014732	SUGAR BEET DISCS	1
4	10014750	BEANS DISCS	1
4	10014752	KIDNEY BEABS DUSCS	1
4	10014766	TOMATO, FENNEL DISCS	1
4	10014770	SORGHO DISC	1
4	10014774	BEANS, PEA, COTTON DISCS	1
4	10014778	SOYA DISCS	1
4	10014788	RAPE DISC	1

S.N.

**S.N.**

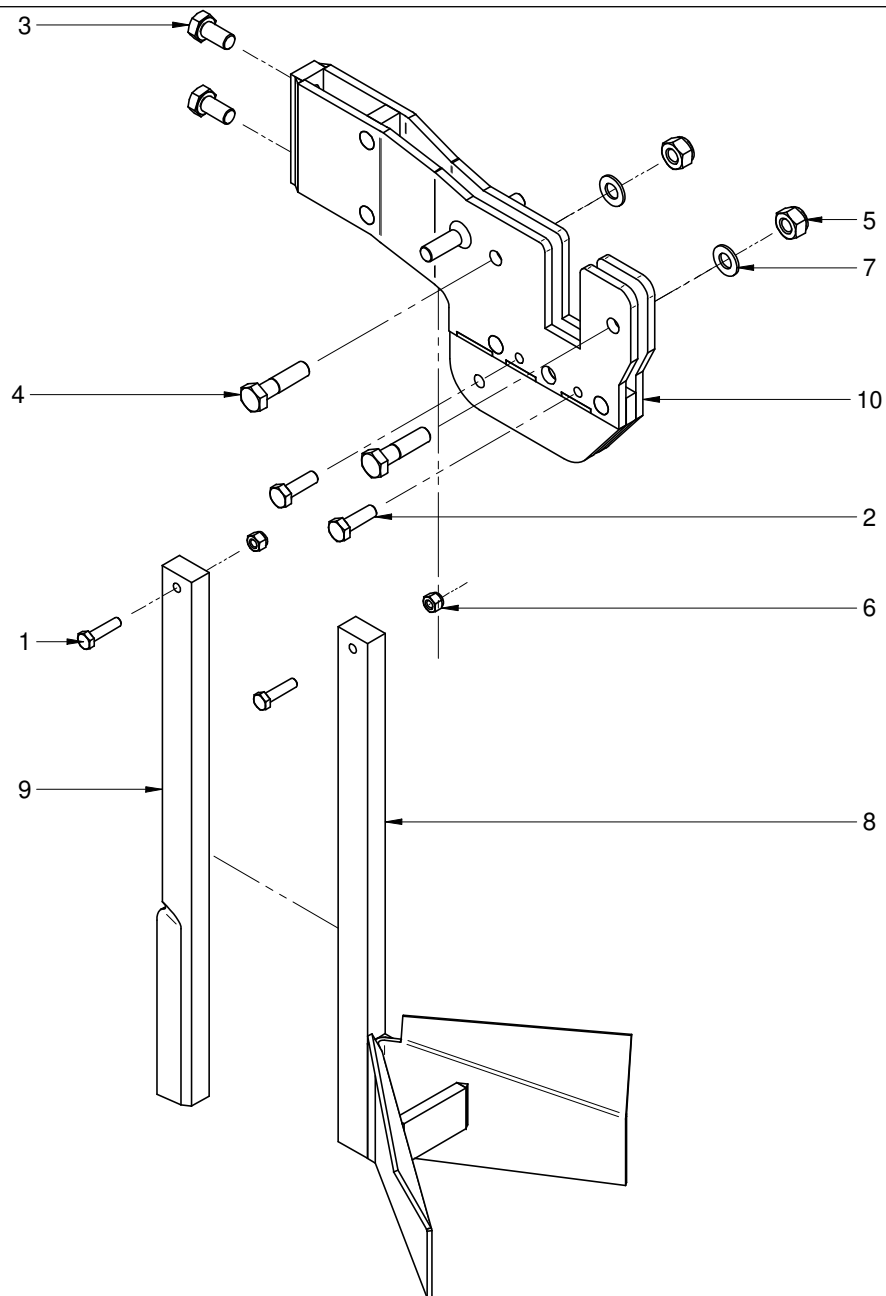
Pos.	Code	Description	Quantity
1	020.011	SCREW TE M 6X16 8.8 5739 ZB	2
2	020.013	SCREW TE M 6X25 8.8 ISO 4017 ZB	1
3	020.490	SCREW TCEI M 4X16 8.8 5931 ZB	4
4	020.656	SCREW TSPEI M 6X 12 10.9 5933	1
5	023.005	FLAT WASHER M6=6,6X18X2 6593 ZB	1
6	023.010	FLAT WASHER M6=6,3X12X1,6 6592 ZB	1
7	023.921	RIVET TC UNI 9201-A M6-8	2
8	023.925	RIVET TC UNI 9201-B M6-8	1
9	028.095	SEEGER RING EXT. D. 6 7435/471	1
10	046.026	RING OR 2025	1
11	10004128	SPRING D.9,6X20 ZB	1
12	10004602	DISTRIBUTOR COVER	1
13	10004611	DISTRIBUTOR OPENING PVC-CRYSTAL	1
14	10004612	BULKHEAD LEVEL	1
15	10004624	DISTRIBUTOR BRUSH 5,2 X 25 L=168	1
16	10004625	UNLOADING SEEDS DOOR	1
17	10004626	BRUSH BLOCKING BUSH	4
18	10004627	BULKHEAD BRUSH SUPPORT	1
19	10004629	STICKER BULKHEAD ADJUSTMENT	1
20	10004637	DRILLED FRONT CLOSURE	1
21	10004640	SHEET METAL SPRING SLIPS	1
22	10004652	SPACER SPRING/DOOR D.6X10 L=6	1
23	10004657	SEED DISCHARGE DOOR SPRING	1
24	10004660	EJECTOR SEED REMOVER PA6	1
25	10004664	SELECTOR PIN	1
26	10004666	SCREW FLOAT EJECTOR SEED	1
27	10004671	SPRING EJECTOR SEED	1
28	10034139	WINDOW BUSH INSPECTION D. 6 - M4 INOX	1

S.N.

**S.N.**

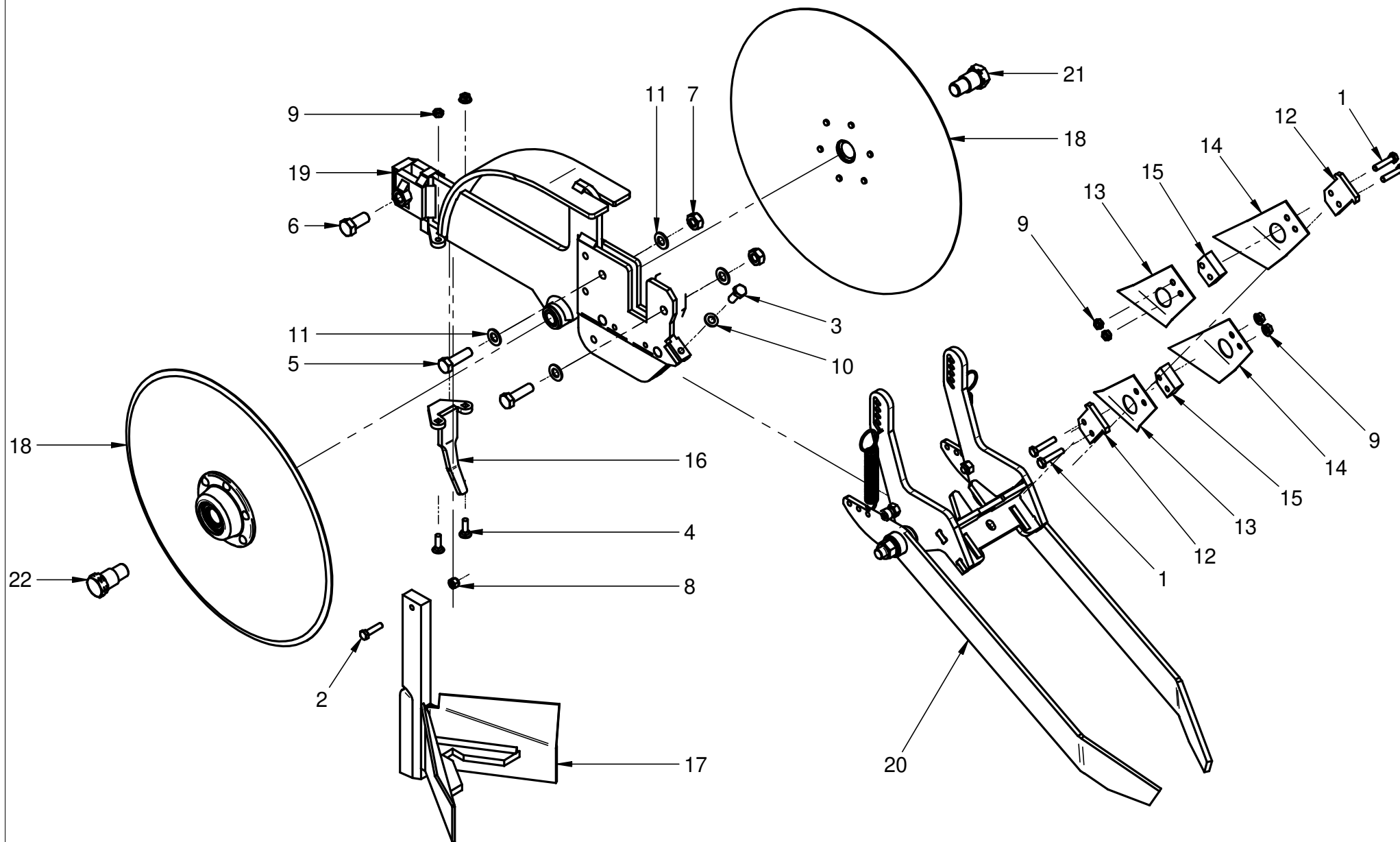
Pos.	Code	Description	Quantity
1	020.717	SCREW TSPEI M 4X8 10.9 5933 ZB	2
2	021.004	NUT E 6S M 10 5588 ZB	2
3	021.112	SELF-LOCKING NUT M10 7473 ZB	1
4	021.505	KNURLED NUT AND FLANGE M 6 D.6923 ZB	1
5	023.792	ELASTIC RING LMKAS 28	1
6	024.015	CLICK PIN D.6 B=48	1
7	028.001	SEEGER RING INT. D. 42 7437/472	1
8	028.099	SEEGER RING EXT. D. 10 7435/471	1
9	028.105	SEEGER RING EXT. D. 20 7435/471	1
10	028.304	RING "PS" 20X28X0.2 DIN 988	2
11	028.313	RING "PS" 20X28X0.5 DIN 988	1
12	050.001	BEARING 6004-2RS	2
13	10004603	DISTRIBUTOR CORPUS	1
14	10004606	SELECTOR PLATE STANDARD BRASS	1
15	10004609	CLOSING FOR DISTRIBUTOR	1
16	10004610	SELECTOR SHAFT	1
17	10004613	SECLECTOR PIN	1
18	10004616	CLOSING FOR DISTRIBUTOR L=90	1
19	10004617	DISTRIBUTOR GASKET	1
20	10004620	SELECTOR INDICATOR	1
21	10004628	STICKER SELECTOR REGULATION	1
22	10004630	COMPL. ASSY DISC + DISTRIBUTOR SHAFT	1
23	10004654	WELD ASSY DISTRIBUTOR PINION Z=17	1
24	10004708	SPRING COULTER PLATE	1

S.N.

**S.N.**

Pos.	Code	Description	Quantity
1	020.013	SCREW TE M 6X25 8.8 ISO 4017 ZB	2
2	020.052	SCREW TE M 8X25 8.8 5739 ZB	2
3	020.100	SCREW TE M 10X20 8.8 5739 ZB	2
4	020.115	SCREW TE M 10X40 8.8 5737 ZB	2
5	021.112	SELF-LOCKING NUT M10 7473 ZB	2
6	021.115	SELF-LOCKING NUT M6 7473 ZB	2
7	023.030	FLAT WASHER M10=10,5X20X2 6592 ZB	2
8	10031620	WELD ASSY PLOUGH SHARE "170"	1
9	10031622	ADJUSTABLE KNIFE BLADE V.3 VER	1
10	10041574	WELD ASSY COULTER AND SPREADER SUPPORT	1

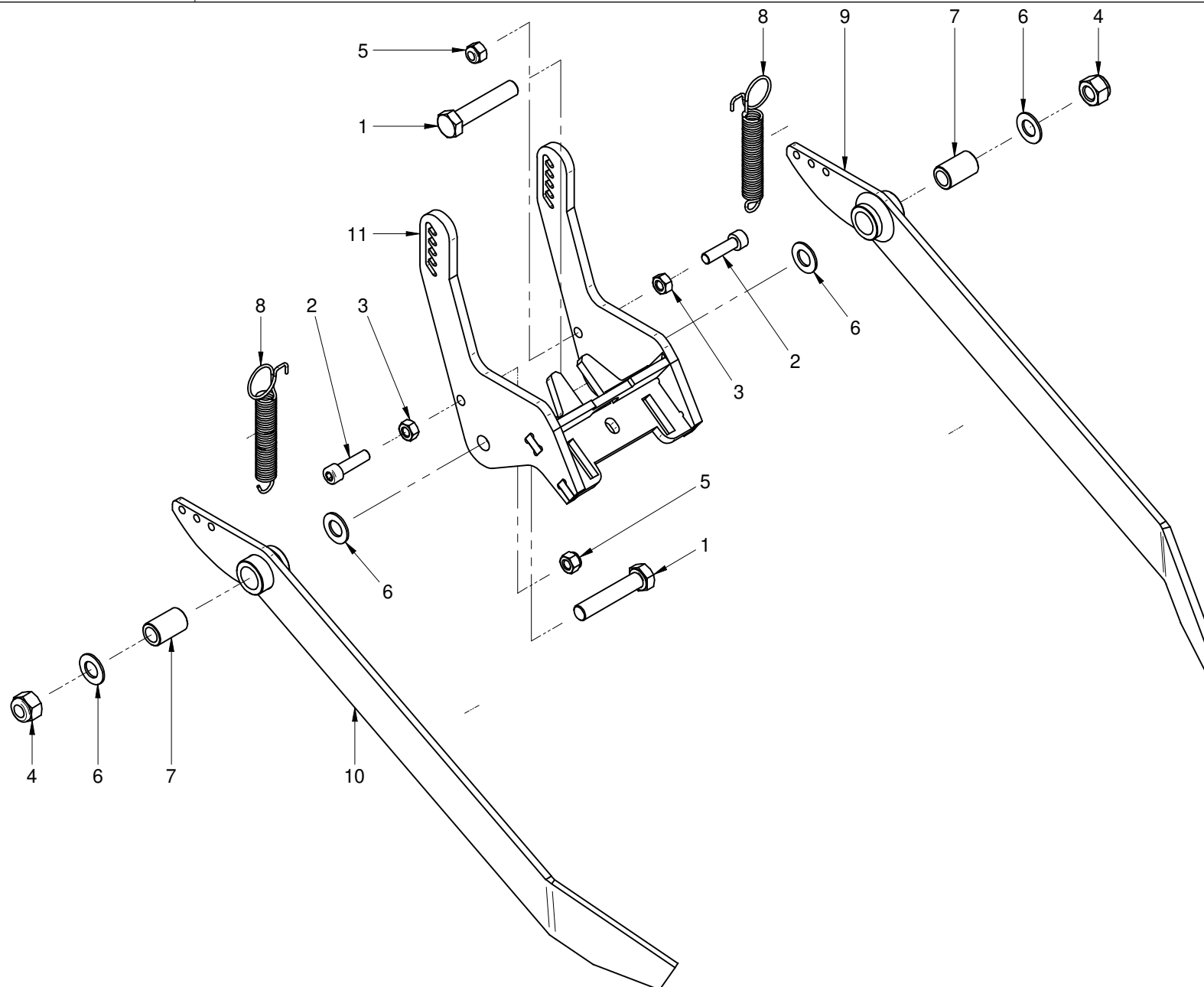
S.N.



S.N.

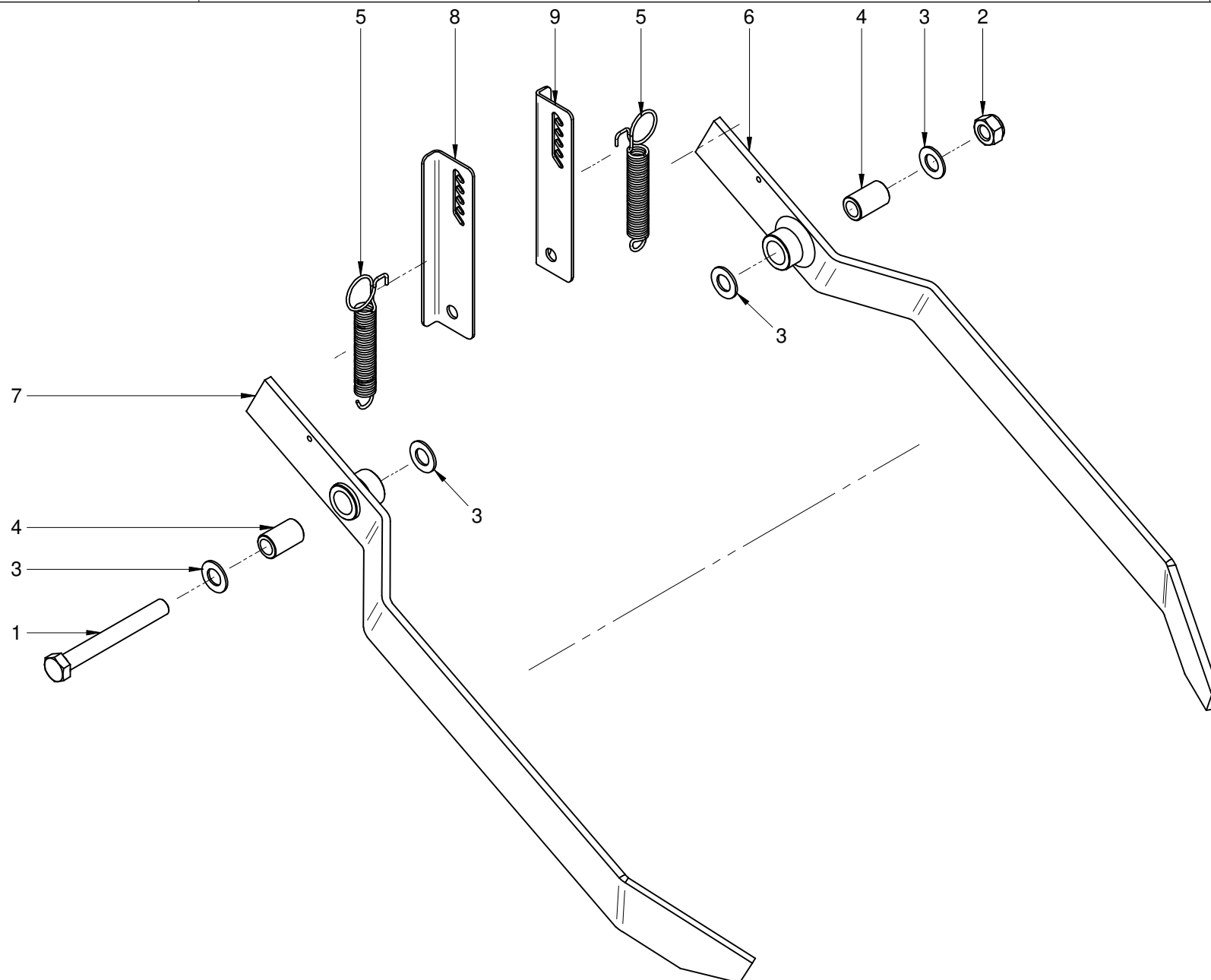
Pos.	Code	Description	Quantity
1	020.008	SCREW TE M 6X30 8.8 ISO 4014 ZB	4
2	020.013	SCREW TE M 6X25 8.8 ISO 4017 ZB	1
3	020.051	SCREW TE M 8X20 8.8 5739 ZB	1
4	020.082	SCREW TTQST M 6X20 4.6 5731 ZB	2
5	020.129	SCREW TE M 10X35 8.8 5737 ZB	2
6	020.151	SCREW TE M 12X025 8.8 5739 ZB	1
7	021.103	SELF-LOCKING NUT M10 UNI 7474 ZB	2
8	021.115	SELF-LOCKING NUT M6 7473 ZB	1
9	021.505	KNURLED NUT AND FLANGE M 6 D.6923 ZB	6
10	023.020	FLAT WASHER M8=8,4X16X1,6 6592 ZB	1
11	023.030	FLAT WASHER M10=10,5X20X2 6592 ZB	4
12	10027676	FIXING PLATE BLADES	2
13	10031460	SCRAPING BLADE LEFT	2
14	10031461	SCRAPING BLADE RIGHT	2
15	10031462	SPACER SCRAPERS	2
16	10031465	WELD ASSY DISC PROTECTION	1
17	10031475	WELD ASSY FOR DISCS	1
18	10037660	COMPL. ASSY LISTE4R DISC	2
19	10041642	WELD ASSY DISCS AND SPREADER SUPPORT	1
21	30031205	DISC FIXING FLANGED SCREW RIGHT ZB	1
22	30031206	DISC FIXING FLANGED SCREW LEFT ZB	1

S.N.

**S.N.**

Pos.	Code	Description	Quantity
1	020.158	SCREW TE M 12X60 8.8 5737 ZB	2
2	020.523	SCREW TCEI M 8X30 8.8 5931 ZB	2
3	021.003	NUT E 6S M 8 5588 ZB	2
4	021.113	SELF-LOCKING NUT M12 7473 ZB	2
5	021.114	SELF-LOCKING NUT M8 7473 ZB	2
6	023.040	FLAT WASHER M12=13X24X2,5 6592 ZB	4
7	10021904	SPACER ZB	2
8	10031912	SEED COVER SPRING ZB	2
9	10031940	WELD ASSY COVERS SEED RIGHT DISCS V.	1
10	10031944	WELD ASSY COVERS SEED LEFT DISCS V.	1
11	10041654	WELD ASSY SCRAPERS AND COVER S. SUPPORT	1

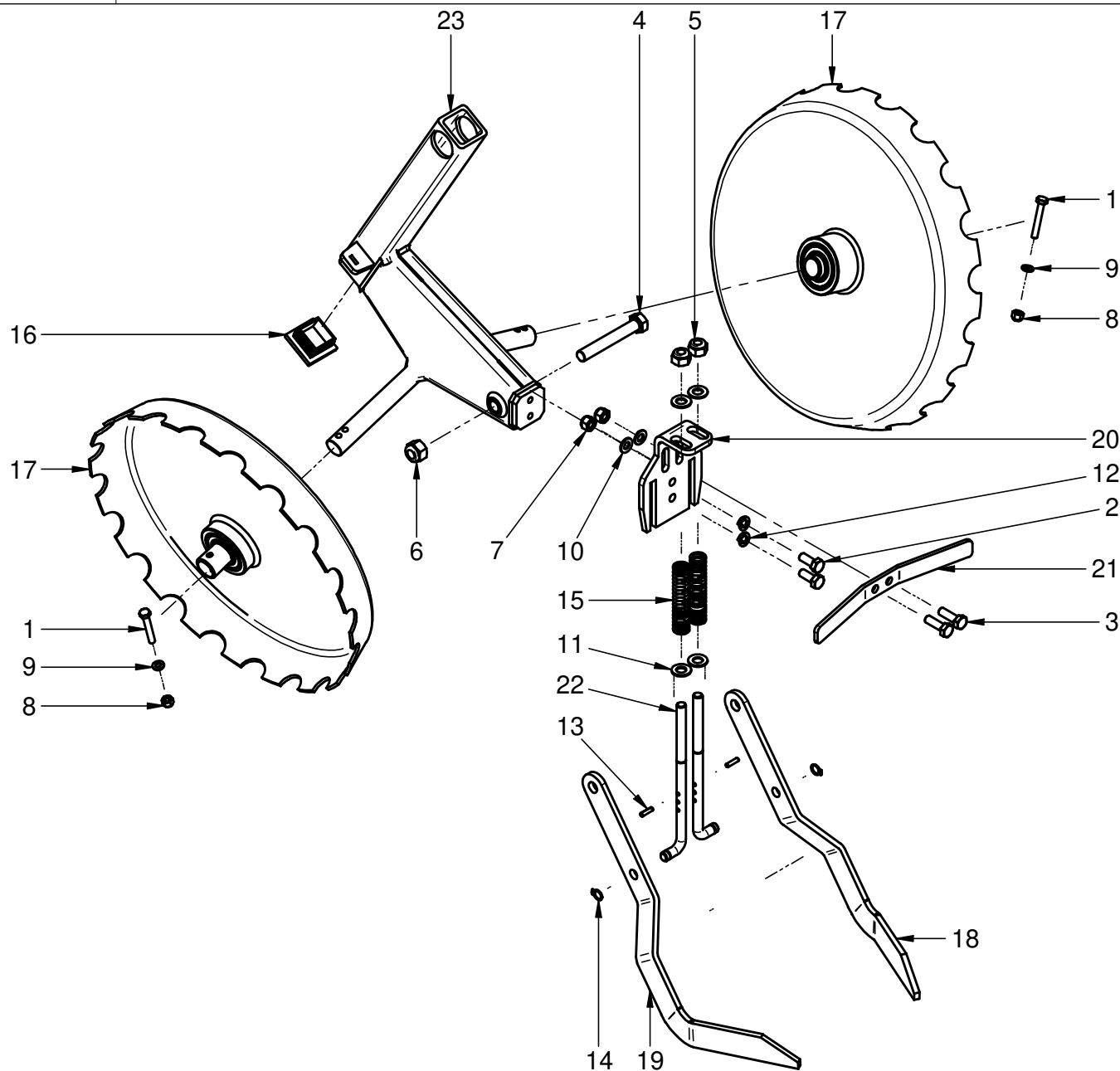
S.N.



S.N.

Pos.	Code	Description	Quantity
1	020.163	SCREW TE M 12X100 8.8 5737 ZB	1
2	021.104	SELF-LOCKING NUT M 12 7474 ZB	1
3	023.040	FLAT WASHER M12=13X24X2,5 6592 ZB	4
4	10021904	SPACER ZB	2
5	10031912	SEED COVER SPRING ZB	2
6	10041592	WELD ASSY COVER SEED RIGHT FUTURA	1
7	10041594	WELD ASSY COVER SEED LEFT FUTURA	1
8	10041614	PLATE COVER SEED SPRING INDEX LEFT	1
9	10041616	PLATE COVER SEED SPRING INDEX RIGHT	1

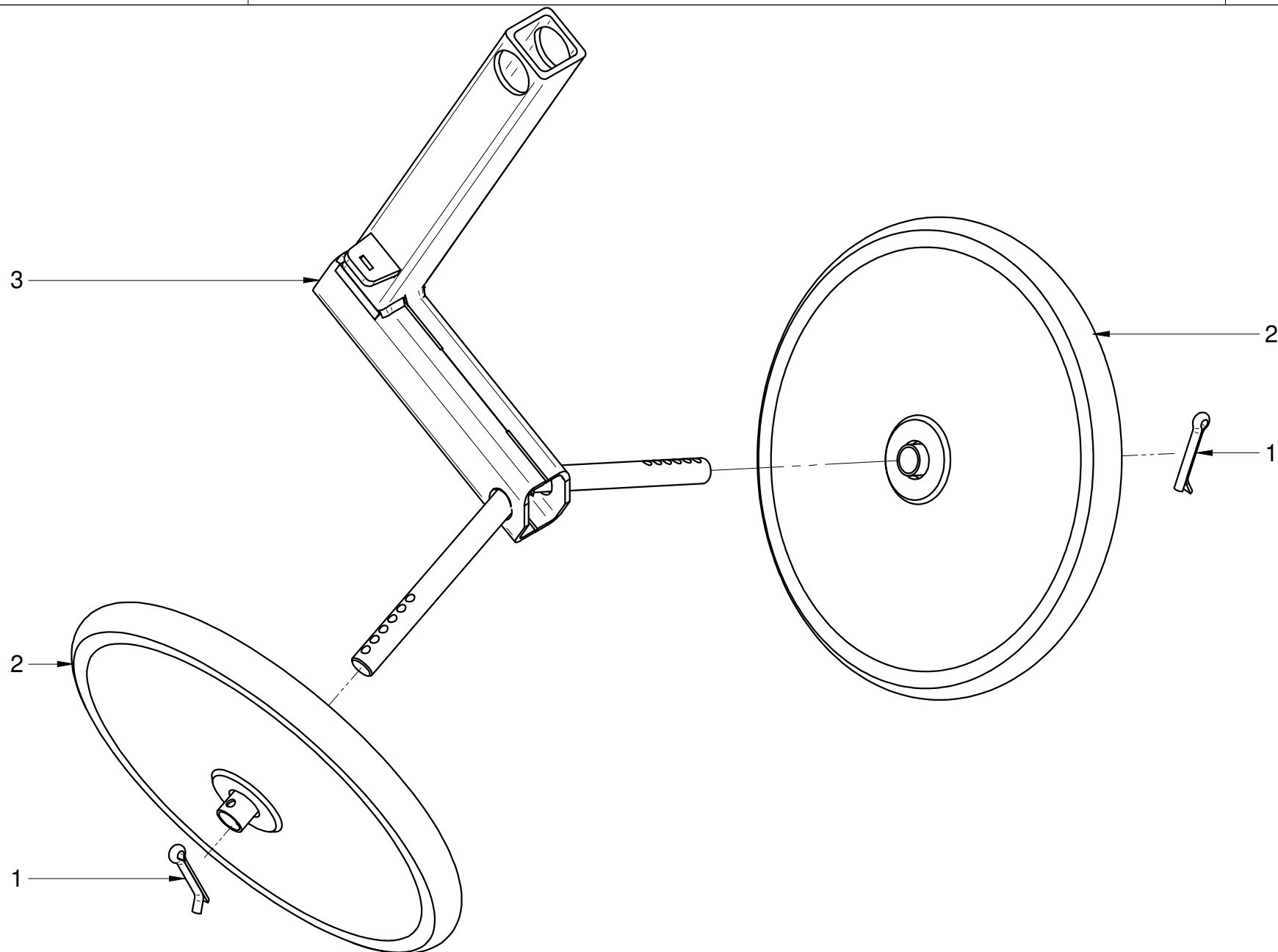
S.N.



S.N.

Pos.	Code	Description	Quantity
1	020.006	SCREW TE M 6X40 8.8 5737 ZB	2
2	020.051	SCREW TE M 8X20 8.8 5739 ZB	2
3	020.052	SCREW TE M 8X25 8.8 5739 ZB	2
4	020.171	SCREW TE M 12X80 8.8 ISO 4014 ZB	1
5	021.112	SELF-LOCKING NUT M10 7473 ZB	2
6	021.113	SELF-LOCKING NUT M12 7473 ZB	1
7	021.114	SELF-LOCKING NUT M8 7473 ZB	2
8	021.115	SELF-LOCKING NUT M6 7473 ZB	2
9	023.010	FLAT WASHER M6=6,3X12X1,6 6592 ZB	2
10	023.020	FLAT WASHER M8=8,4X16X1,6 6592 ZB	2
11	023.030	FLAT WASHER M10=10,5X20X2 6592 ZB	4
12	023.301	GROWER WASHER A M8-D. 8,4 1751 ZBD	2
13	024.305	ELASTIC PIN D. 4X16 6873 NE	2
14	028.099	SEEGER RING EXT. D. 10 7435/471	2
15	086411	SPRING ZN	2
16	095.077	PIPE CAP Q. 40 S.5 POL. BLACK	1
17	10002055	COMPL. ASSY IRON WHEELS	2
18	10002072	SEED COVER DX	1
19	10002074	SEED COVER SX	1
20	10002076	SPRINGS SUPPORT	1
21	10002080	MUD SCRAPER	1
22	10002082	SPRING SHAFT	2
23	10002142	WELD ASSY IRON WHEELS SUPPORT	1

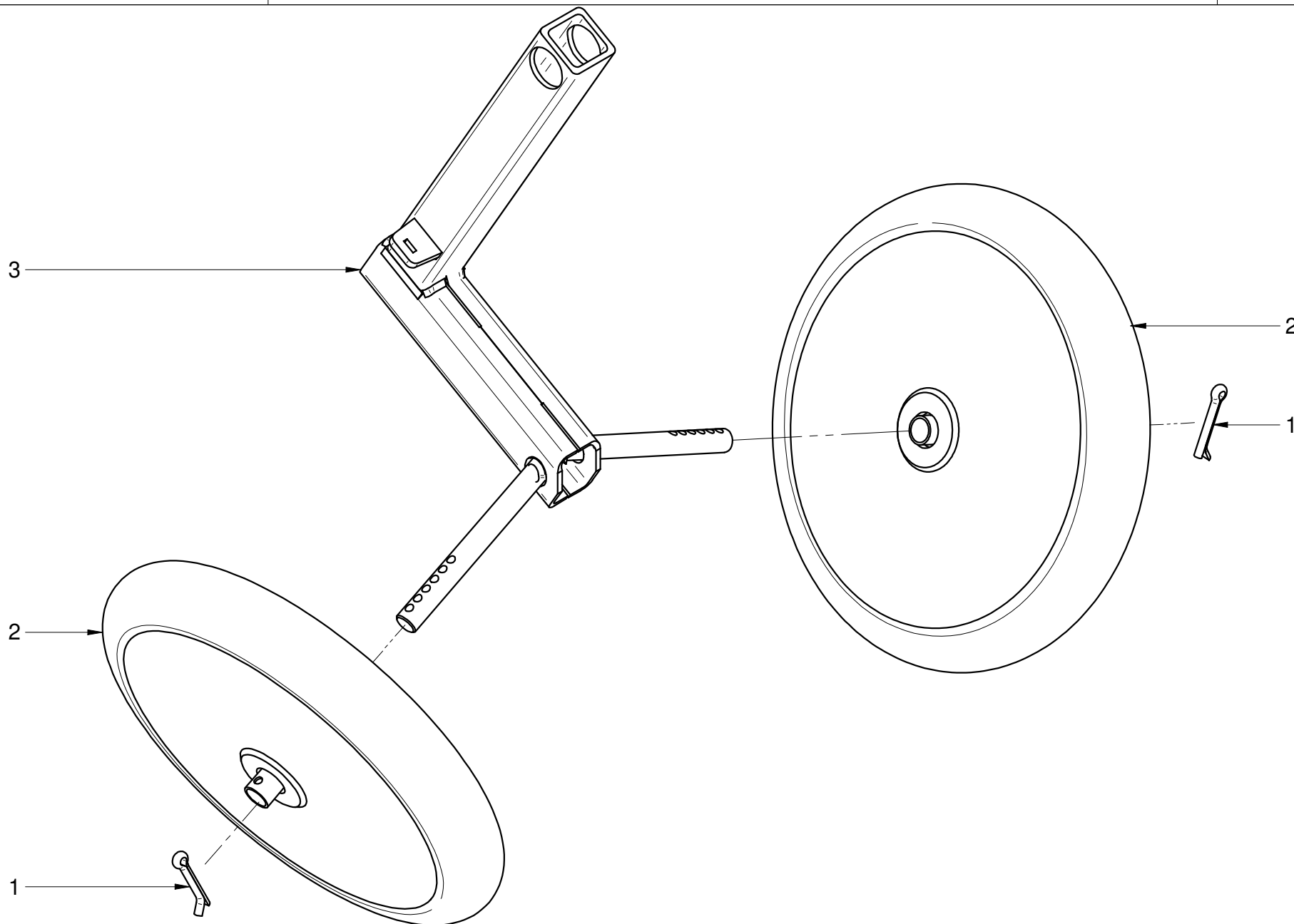
S.N.



S.N.

Pos.	Code	Description	Quantity
1	024.249	COVER D. 6,3X40 ZB 1336	2
2	040.218	FLEX 1"X12" REG.LAT. RUBBER WHEEL	2
3	10002164	WELD ASSY PLASTIC WHEELS SUPPORT	1

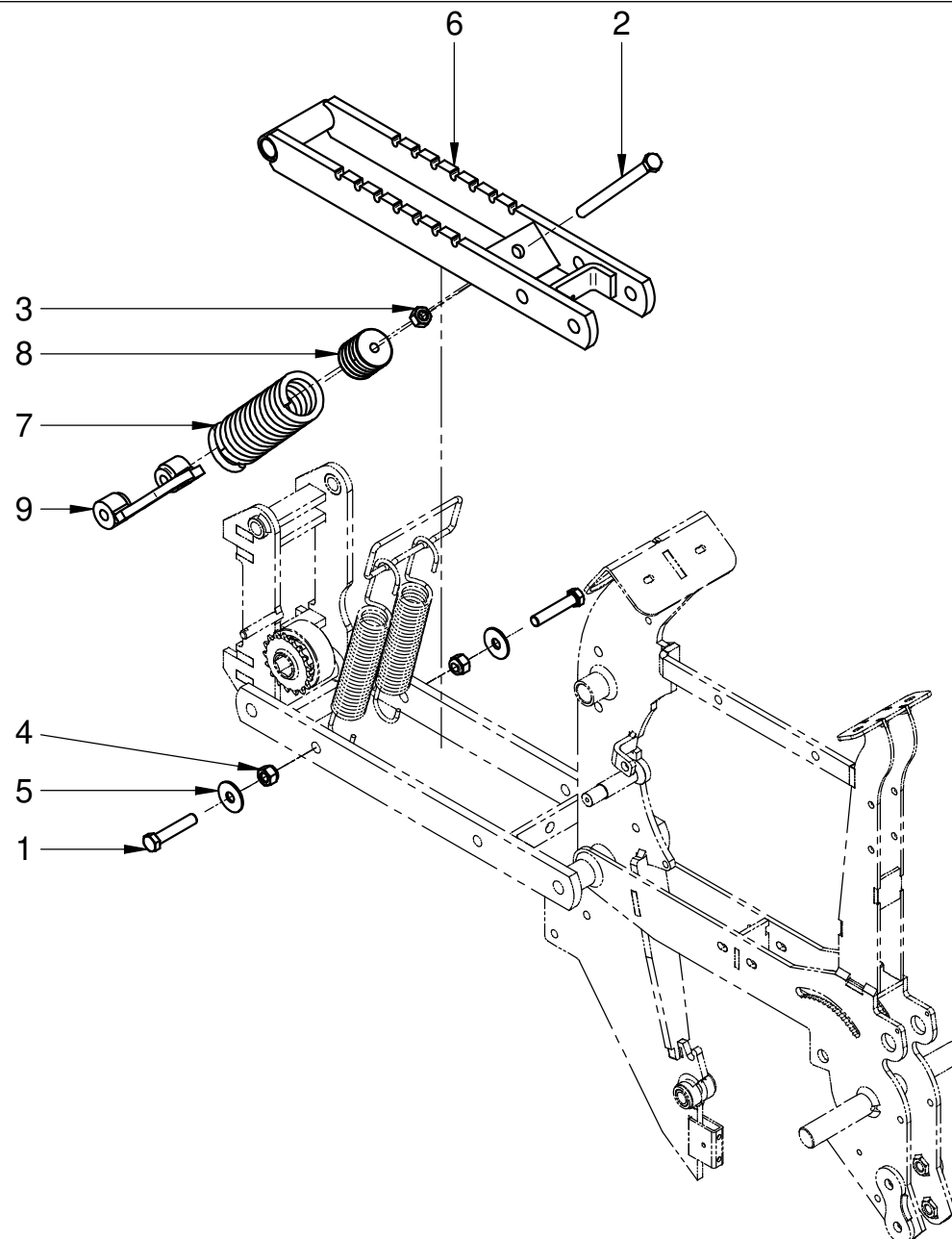
S.N.



S.N.

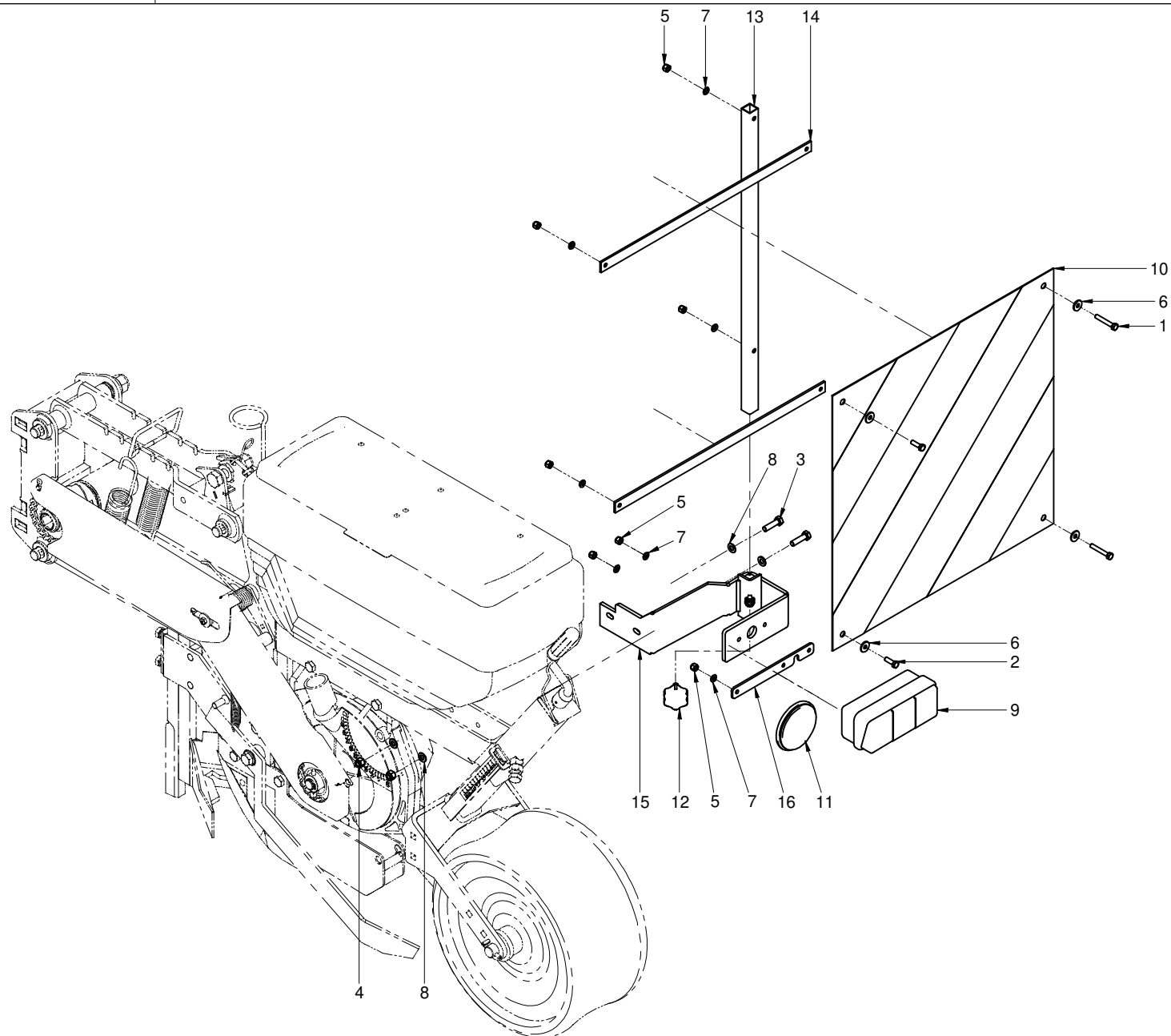
Pos.	Code	Description	Quantity
1	024.249	COVER D. 6,3X40 ZB 1336	2
2	040.219	FLEX 2"X13" RUBBER WHEEL	2
3	10002164	WELD ASSY PLASTIC WHEELS SUPPORT	1

S.N.

**S.N.**

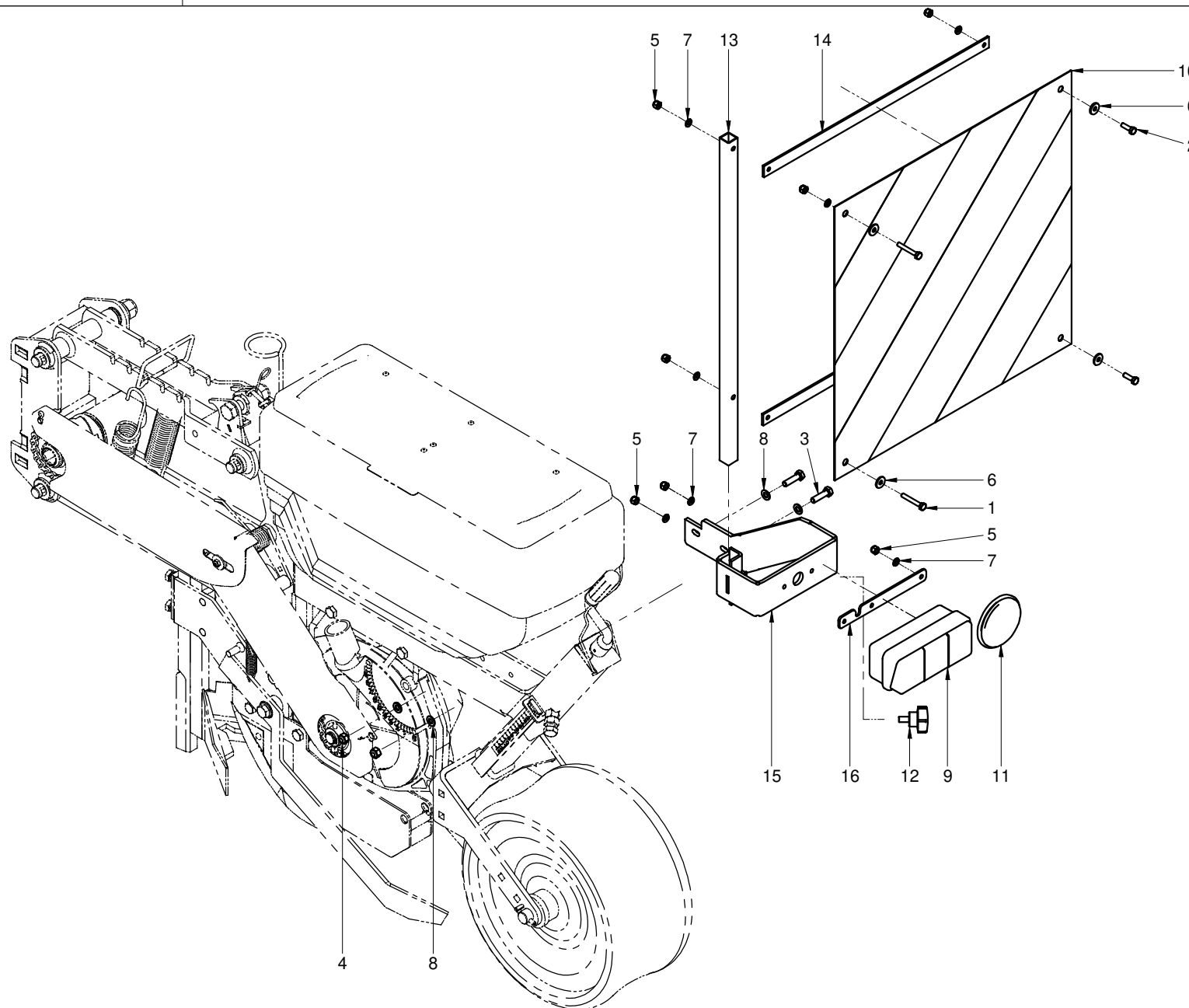
Pos.	Code	Description	Quantity
1	020.158	SCREW TE M 12X60 8.8 5737 ZB	2
2	020.189	SCREW TE M 12X160 8.8 5739 ZB	1
3	021.005	NUT E 6S M 12 5588 ZB	1
4	021.113	SELF-LOCKING NUT M12 7473 ZB	2
5	023.041	FLAT WASHER M12=12 X36X2,5 9021 ZB	2
6	10031094	WELD ASSY SPRING PARALLELOGRAM	1
7	30031682	ADDITIONAL PRESSING SPRING FOR ELEMENT	1
8	30031684	SCREW FOR SPRING 8X155	1
9	30031752	WELD ASSY ADDITIONAL SPRING CONNECT.	1

S.N.

**S.N.**

Pos.	Code	Description	Quantity
1	020.006	SCREW TE M 6X40 8.8 5737 ZB	2
2	020.012	SCREW TE M 6X20 8.8 ISO 4017 ZB	2
3	020.053	SCREW TE M 8X30 8.8 ISO 4017 ZB	2
4	021.114	SELF-LOCKING NUT M8 7473 ZB	2
5	021.115	SELF-LOCKING NUT M6 7473 ZB	7
6	023.005	FLAT WASHER M6=6,6X18X2 6593 ZB	4
7	023.010	FLAT WASHER M6=6,3X12X1,6 6592 ZB	7
8	023.020	FLAT WASHER M8=8,4X16X1,6 6592 ZB	4
9	076.109	RIGHT LIGHT WITH 3 FUNC.-CABLE AND PLUG	1
10	076.139	REFLECTING PANNEL WHITE RED 500	1
11	076.351	ROUND REFLECTOR D.80 RED M5	1
12	095.001	HABD WGEEK NAKE M8X15 TECNOPOLIM	1
13	10009046	SUPPORT PANEL PIPE L=590 ZB	1
14	10009048	COMPLEMENTARY PLATE	2
15	10009070	WELD ASSY LIGHT-TAB. SUPPORT RIGHT	1
16	10009080	CATADIOPTIC SUPPORT D.80	1

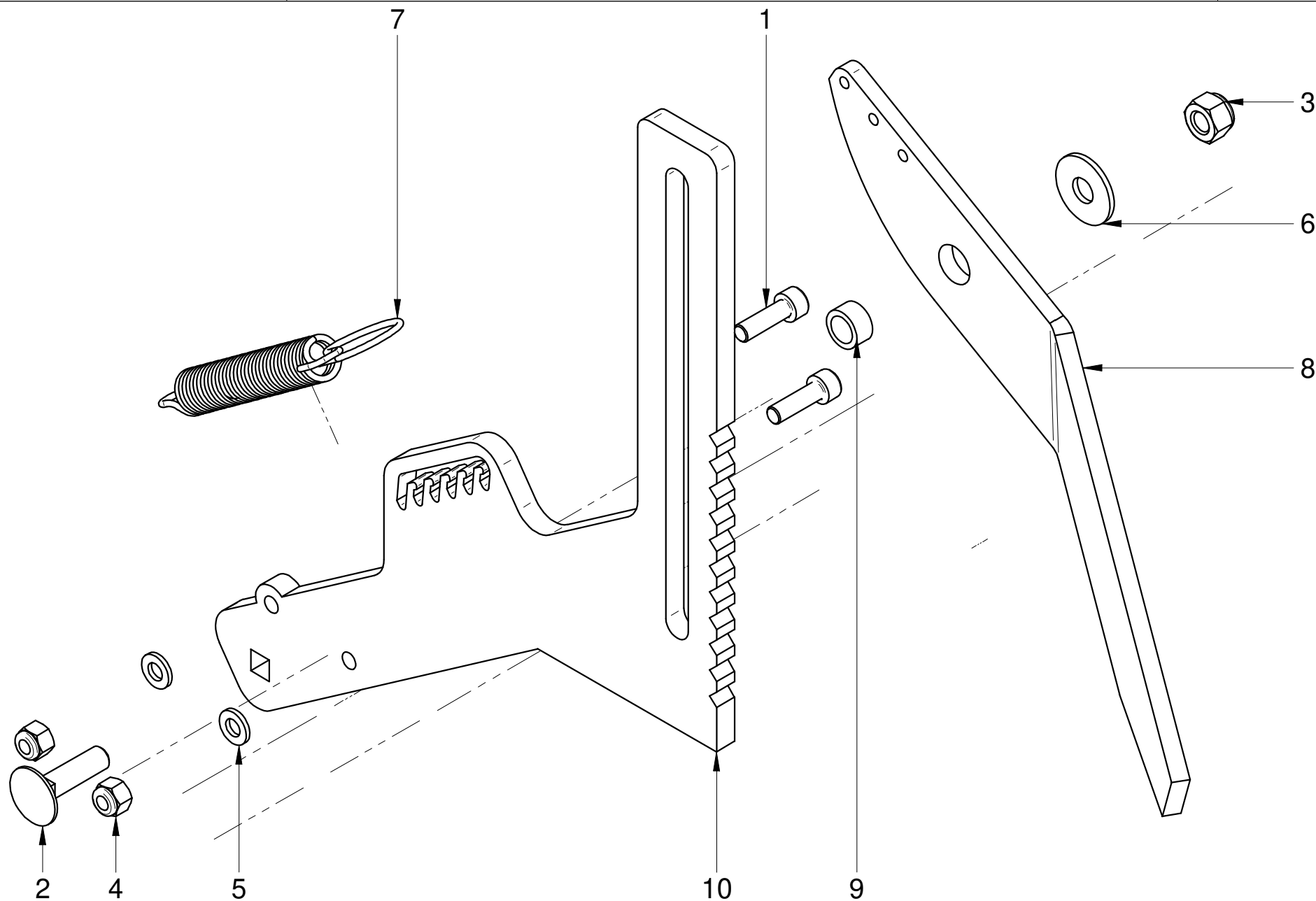
S.N.



S.N.

Pos.	Code	Description	Quantity
1	020.006	SCREW TE M 6X40 8.8 5737 ZB	2
2	020.012	SCREW TE M 6X20 8.8 ISO 4017 ZB	2
3	020.053	SCREW TE M 8X30 8.8 ISO 4017 ZB	2
4	021.114	SELF-LOCKING NUT M8 7473 ZB	2
5	021.115	SELF-LOCKING NUT M6 7473 ZB	7
6	023.005	FLAT WASHER M6=6,6X18X2 6593 ZB	4
7	023.010	FLAT WASHER M6=6,3X12X1,6 6592 ZB	7
8	023.020	FLAT WASHER M8=8,4X16X1,6 6592 ZB	4
9	076.110	LEFT LIGHT WITH 3 FUNC.-CABLE AND PLUG	1
10	076.139	REFLECTING PANNEL WHITE RED 500	1
11	076.351	ROUND REFLECTOR D.80 RED M5	1
12	095.001	HABD WGEEK NAKE M8X15 TECNOPOLIM	1
13	10009046	SUPPORT PANEL PIPE L=590 ZB	1
14	10009048	COMPLEMENTARY PLATE	2
15	10009072	WELD ASSY LIGHT-TAB. SUPPORT LEFT	1
16	10009080	CATADIOPTIC SUPPORT D.80	1

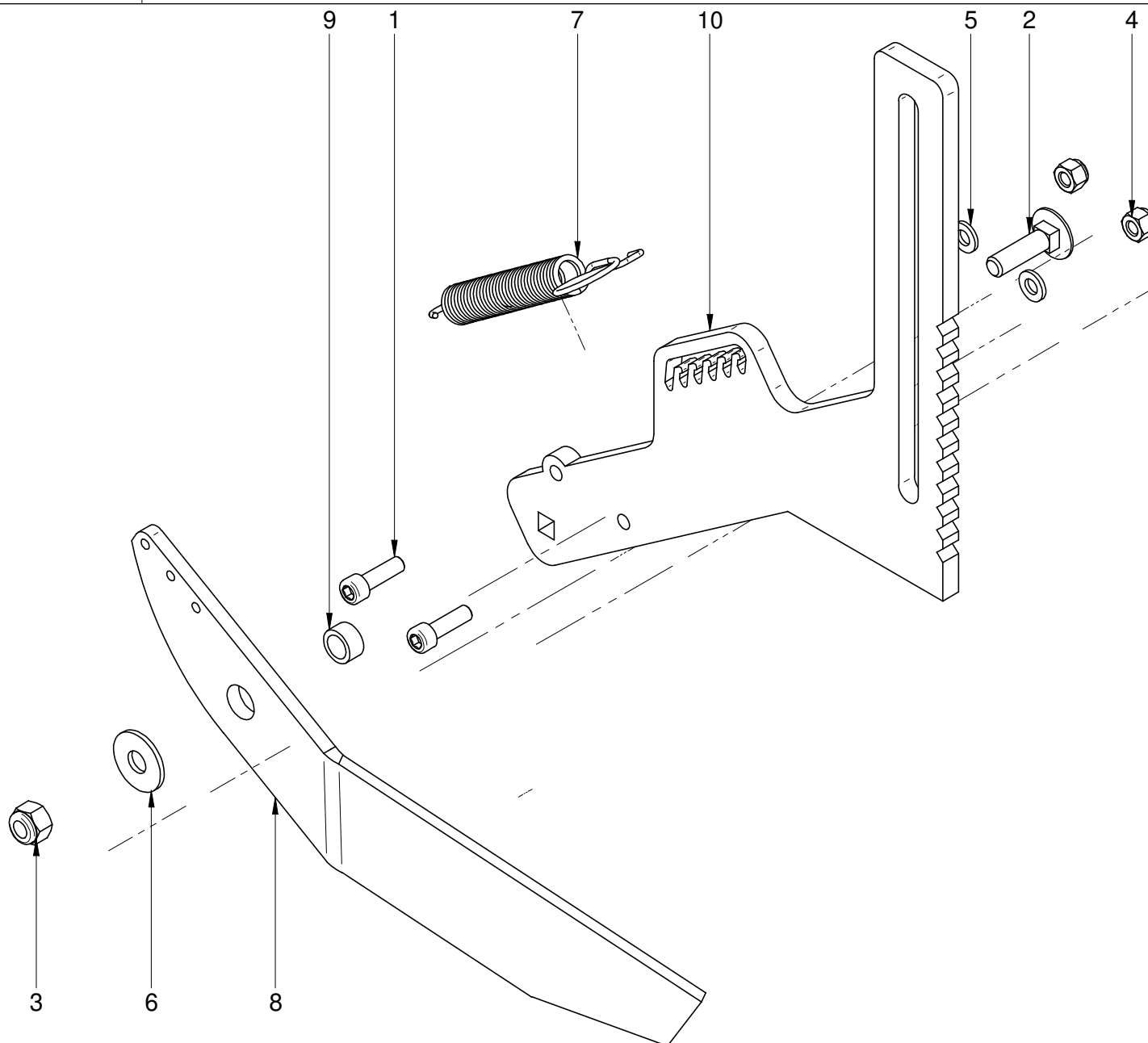
S.N.



S.N.

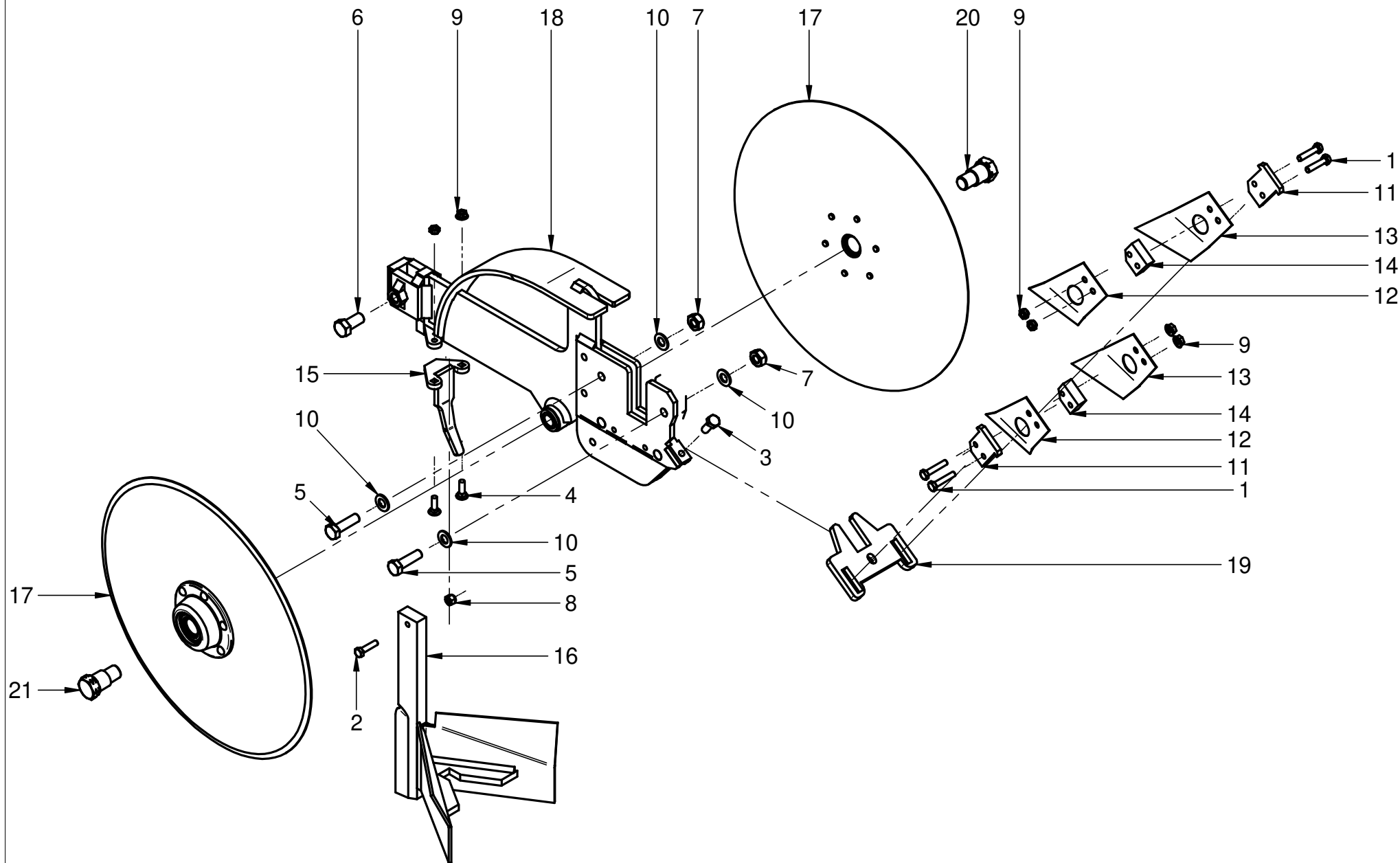
Pos.	Code	Description	Quantity
1	020.501	SCREW TCEI M 6X20 8.8 5931 ZB	2
2	020.602	SCREW TTQST M 8X30 4.6 5731 ZB	1
3	021.114	SELF-LOCKING NUT M8 7473 ZB	1
4	021.115	SELF-LOCKING NUT M6 7473 ZB	2
5	023.010	FLAT WASHER M6=6,3X12X1,6 6592 ZB	2
6	023.017	FLAT WASHER M8=9X24X2 6593 ZB	1
7	10031912	SEED COVER SPRING ZB	1
8	10031926	SEED COVER RIGHT DISCS	1
9	10031962	COVER SEED BUSSHING	1
10	10041664	PLATE COVER SEED SUPPORT	1

S.N.

**S.N.**

Pos.	Code	Description	Quantity
1	020.501	SCREW TCEI M 6X20 8.8 5931 ZB	2
2	020.602	SCREW TTQST M 8X30 4.6 5731 ZB	1
3	021.114	SELF-LOCKING NUT M8 7473 ZB	1
4	021.115	SELF-LOCKING NUT M6 7473 ZB	2
5	023.010	FLAT WASHER M6=6,3X12X1,6 6592 ZB	2
6	023.017	FLAT WASHER M8=9X24X2 6593 ZB	1
7	10031912	SEED COVER SPRING ZB	1
8	10031928	SEED COVER LEFT DISCS	1
9	10031962	COVER SEED BUSHING	1
10	10041664	PLATE COVER SEED SUPPORT	1

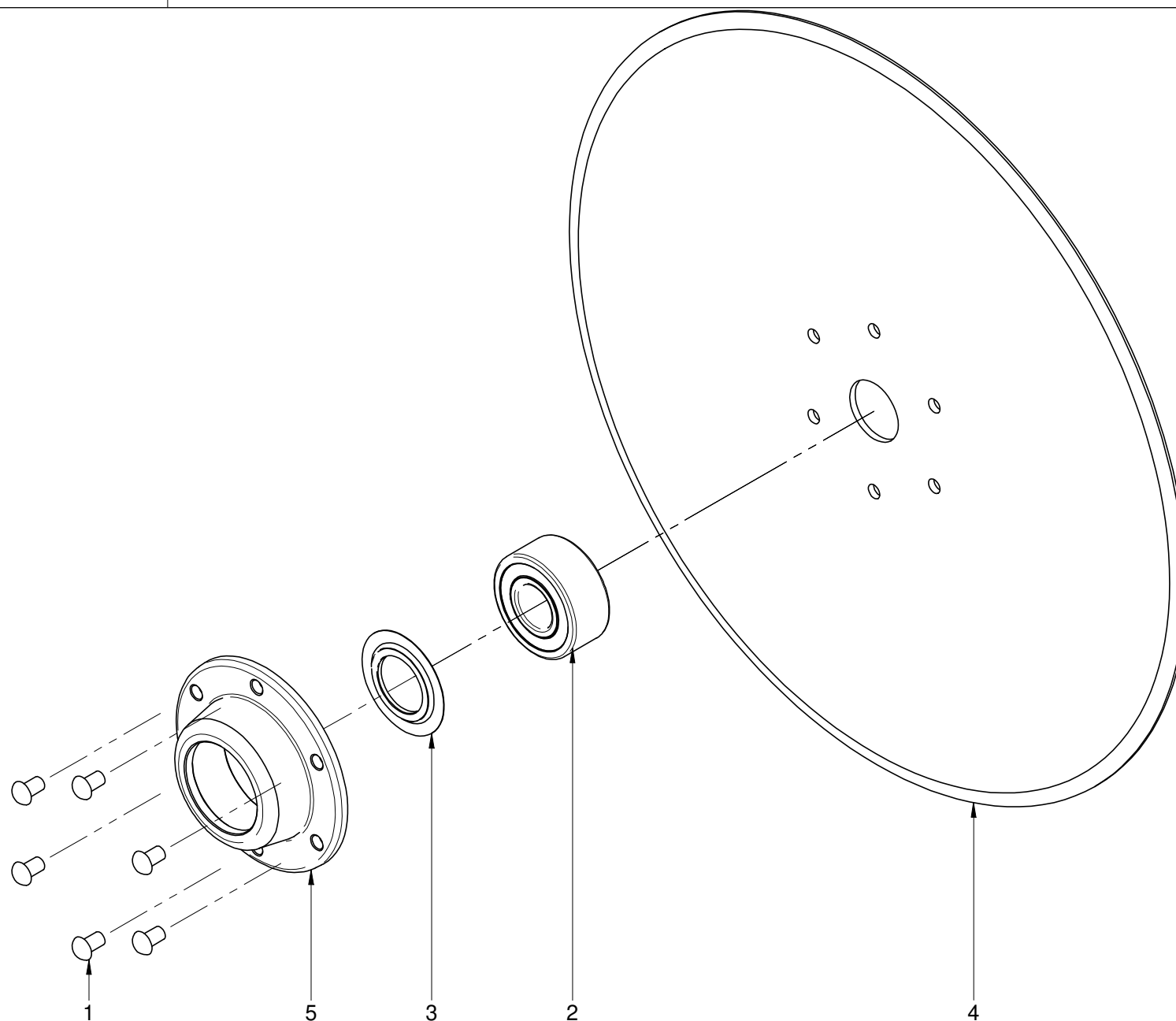
S.N.



S.N.

Pos.	Code	Description	Quantity
1	020.008	SCREW TE M 6X30 8.8 ISO 4014 ZB	4
2	020.013	SCREW TE M 6X25 8.8 ISO 4017 ZB	1
3	020.051	SCREW TE M 8X20 8.8 5739 ZB	1
4	020.082	SCREW TTQST M 6X20 4.6 5731 ZB	2
5	020.129	SCREW TE M 10X35 8.8 5737 ZB	2
6	020.151	SCREW TE M 12X025 8.8 5739 ZB	1
7	021.103	SELF-LOCKING NUT M10 UNI 7474 ZB	2
8	021.115	SELF-LOCKING NUT M6 7473 ZB	1
9	021.505	KNURLED NUT AND FLANGE M 6 D.6923 ZB	6
10	023.030	FLAT WASHER M10=10,5X20X2 6592 ZB	4
11	10027676	FIXING PLATE BLADES	2
12	10031460	SCRAPING BLADE LEFT	2
13	10031461	SCRAPING BLADE RIGHT	2
14	10031462	SPACER SCRAPERS	2
15	10031465	WELD ASSY DISC PROTECTION	1
16	10031475	WELD ASSY FOR DISCS	1
17	10037660	COMPL. ASSY LISTE4R DISC	2
18	10041642	WELD ASSY DISCS AND SPREADER SUPPORT	1
19	10041648	SCRAPERS HOLDER BLADE	1
20	30031205	DISC FIXING FLANGED SCREW RIGHT ZB	1
21	30031206	DISC FIXING FLANGED SCREW LEFT ZB	1

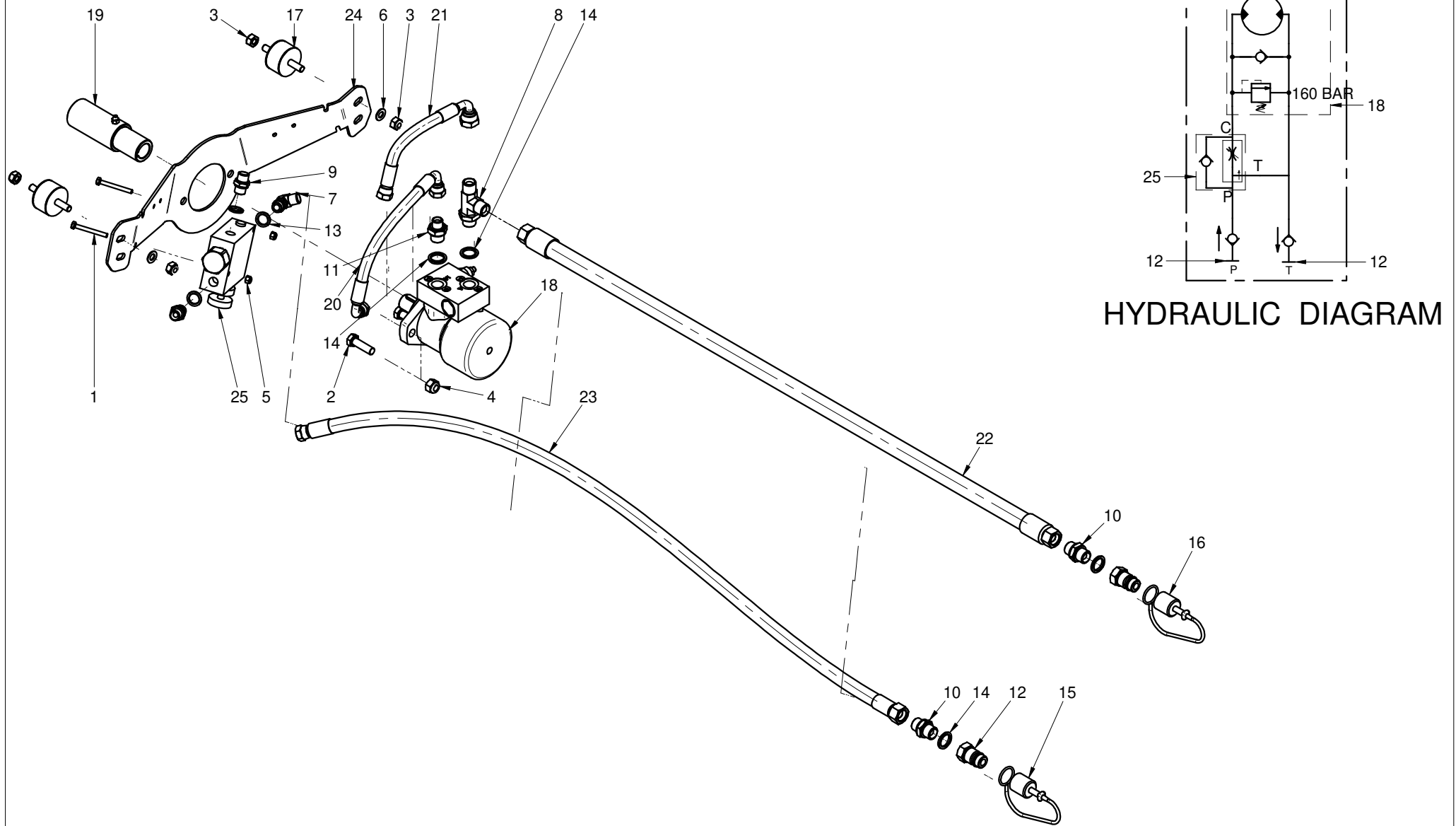
S.N.



S.N.

Pos.	Code	Description	Quantity
1	023.842	RIVET FE TT D.6X16 UNI 748	6
2	050.105	BEARING 3204-2RS1	1
3	050.500	RING NILOS JV 6204	1
4	10037604	DISC COULTER D.354-S.3 (27.8)	1
5	30031204	DISC HUB	1

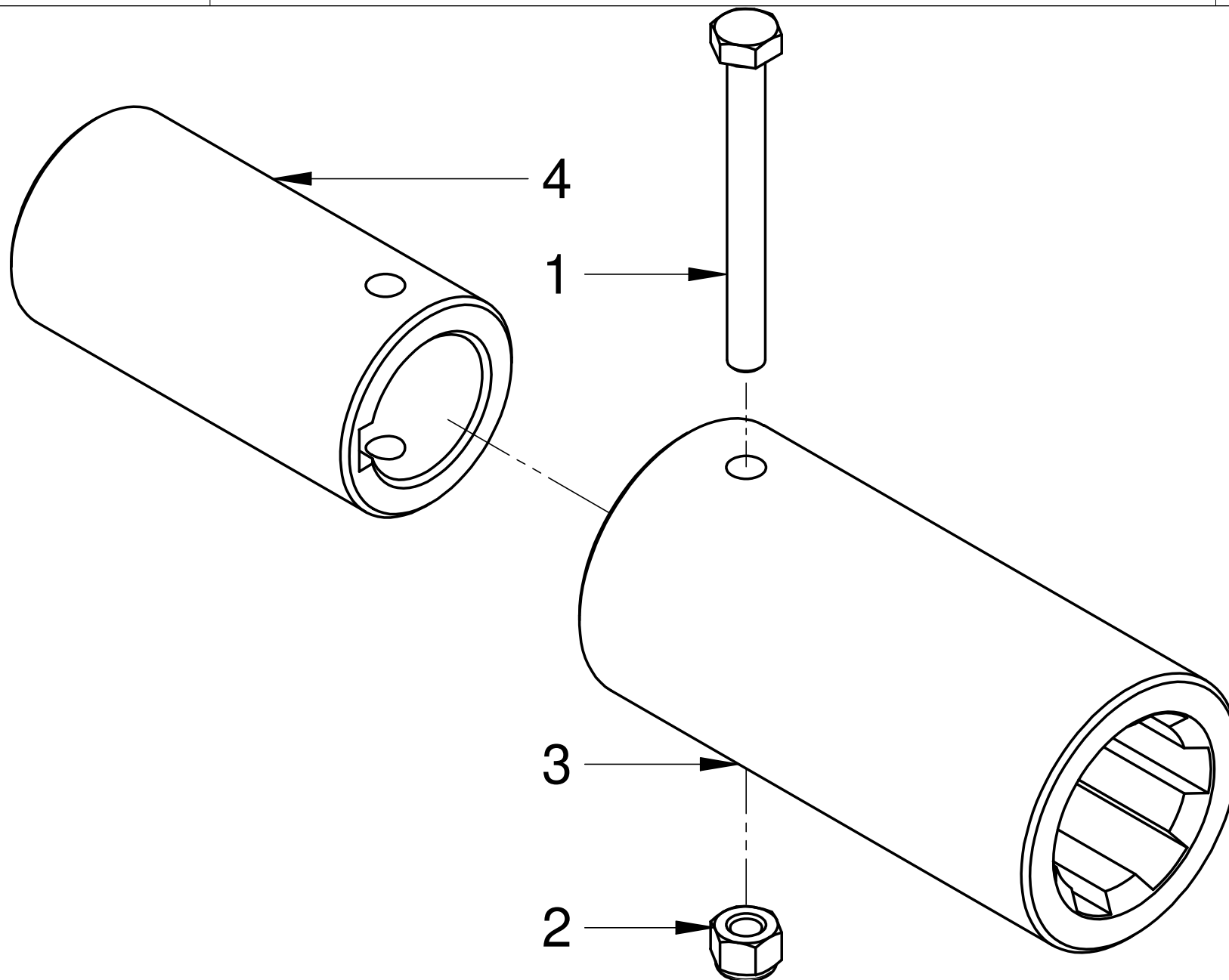
S.N.



S.N.

Pos.	Code	Description	Quantity
1	020.042	SCREW TE M 6X55 8.8 5737 ZB	2
2	020.147	SCREW TE M 12X40 8.8 5737 ZB	2
3	021.112	SELF-LOCKING NUT M10 7473 ZB	4
4	021.113	SELF-LOCKING NUT M12 7473 ZB	2
5	021.115	SELF-LOCKING NUT M6 7473 ZB	2
6	023.030	FLAT WASHER M10=10,5X20X2 6592 ZB	2
7	058.309	GUSSET 90° M-M WITH REVOLVING NUT 3/8"	1
8	060.186	JUNCTION A T 1/2" MG-M-M	1
9	060.200	NIPPLE 3/8 ZN ART. A012-G06	2
10	060.201	NIPPLE 1/2"	2
11	060.251	NIPPLE FOR REDUCTION 1/2"-3/8" ZN	1
12	060.380	FAST COUPLING MALE 1/2"	2
13	060.410	COPPER WASHER 3/8" GAS	3
14	060.415	BONDED WASHER 1/2" GAS	4
15	095.023	CAP PL.FOR CONNEC. RAP.M.-FEM.1/2"	1
16	095.053	CAP PL.FOR CONNEC. RAP. M.-FEM.1/2"	1
17	096.306	VIBRATION DAMPER M-M D.50 H.30 M10	2
18	10019758	COMPL. ASSY TURBINE MOTOR	1
19	10019763	COMPL. ASSY SLEEVE	1
20	10019776	FLEXPIPE R2 AT 3/8 L=35 F90 3/8+F90 3/8	1
21	10019777	FLEXPIPE R2 AT 3/8 L=26 FD 3/8+F90 1/2	1
22	10019782	FLEXPIPE R2 AT 3/4 L=120 FD 1/2+FD1/2	1
23	10019783	FLEXPIPE R2 AT 1/2 L=130 FD 1/2+FD3/8	1
24	10043026	FRAME ARM ROWS 4-6	1
25	62003055	CAPACITY REGULATION VALVE	1

S.N.

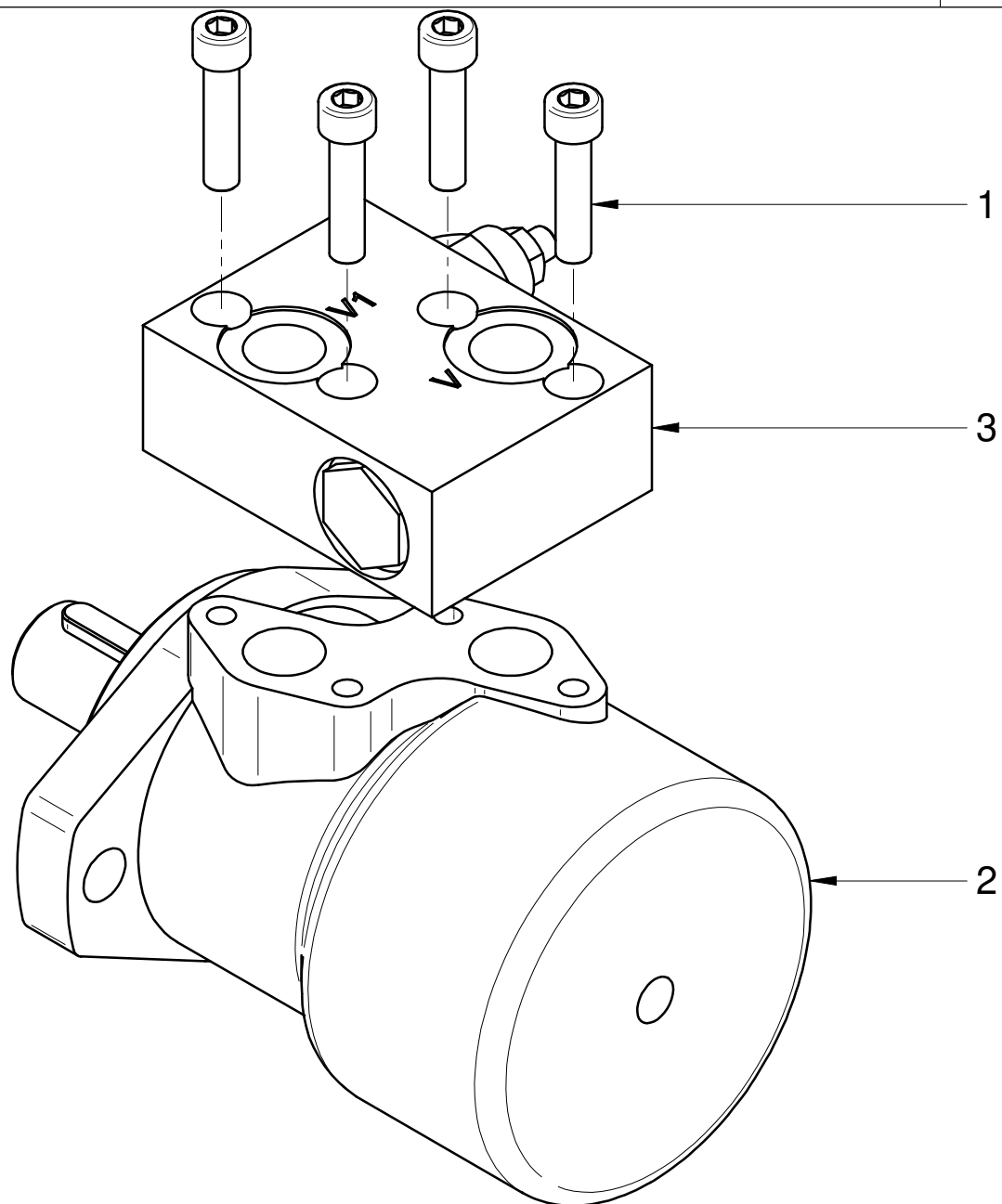
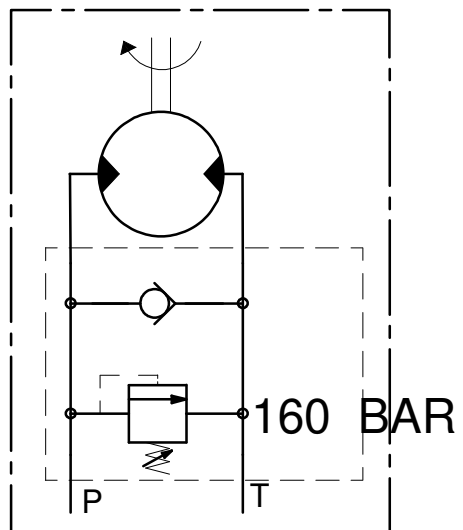


S.N.

Pos.	Code	Description	Quantity
1	020.020	SCREW TE M 6X60 8.8 ISO 4014 ZB	1
2	021.115	SELF-LOCKING NUT M6 7473 ZB	1
3	10019764	CARDAN SHAFT SLEEVE	1
4	10019765	MOTOR SLEEVE	1

S.N.

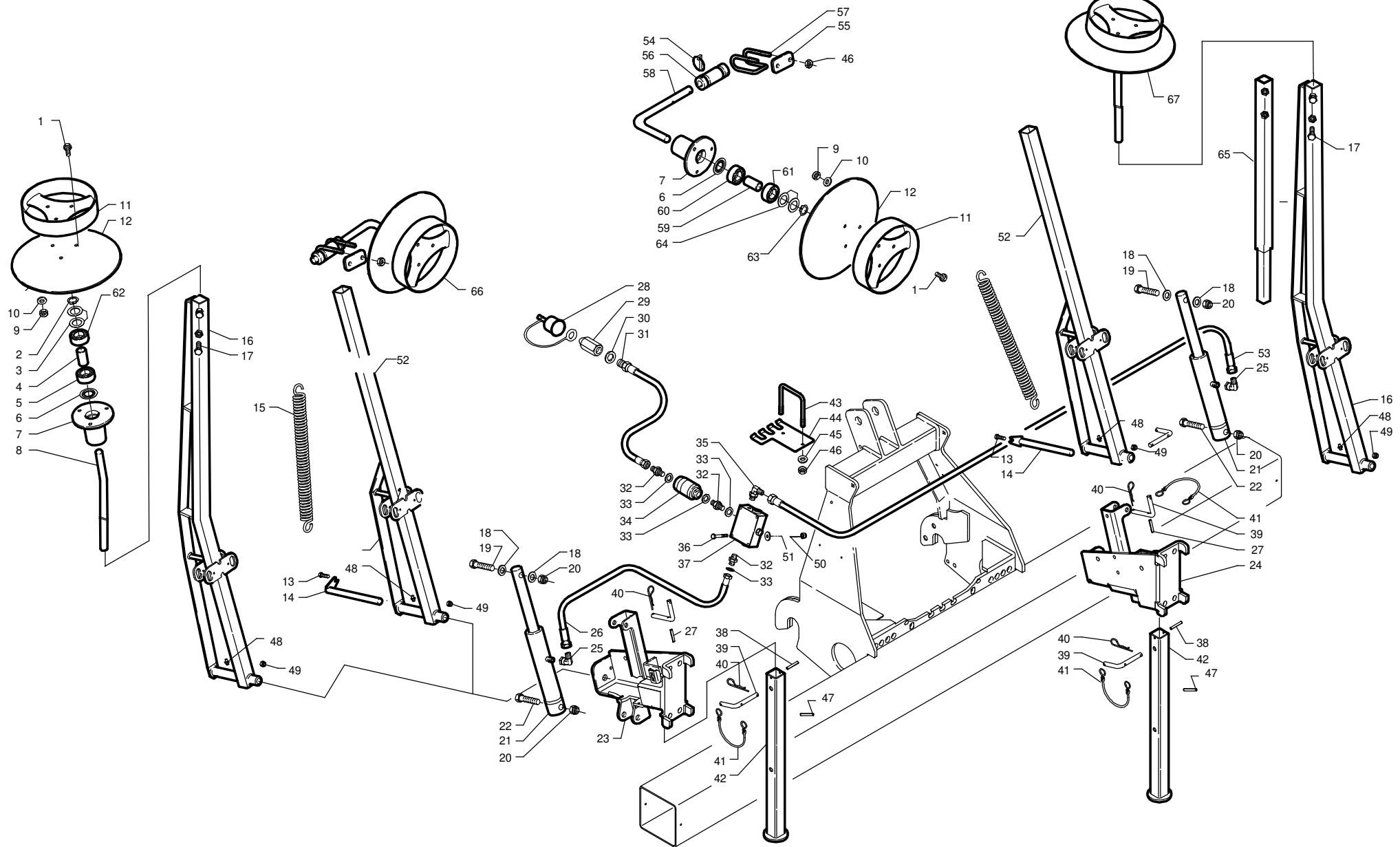
SCHEMA IDRAULICO



S.N.

Pos.	Code	Description	Quantity
1	020.526	SCREW TCEI M 8X35 8.8 5931 ZB	4
2	035.613	MOTOR MRN050 CDFR	1
3	10043017	SHOCKPROOF VALVE	1

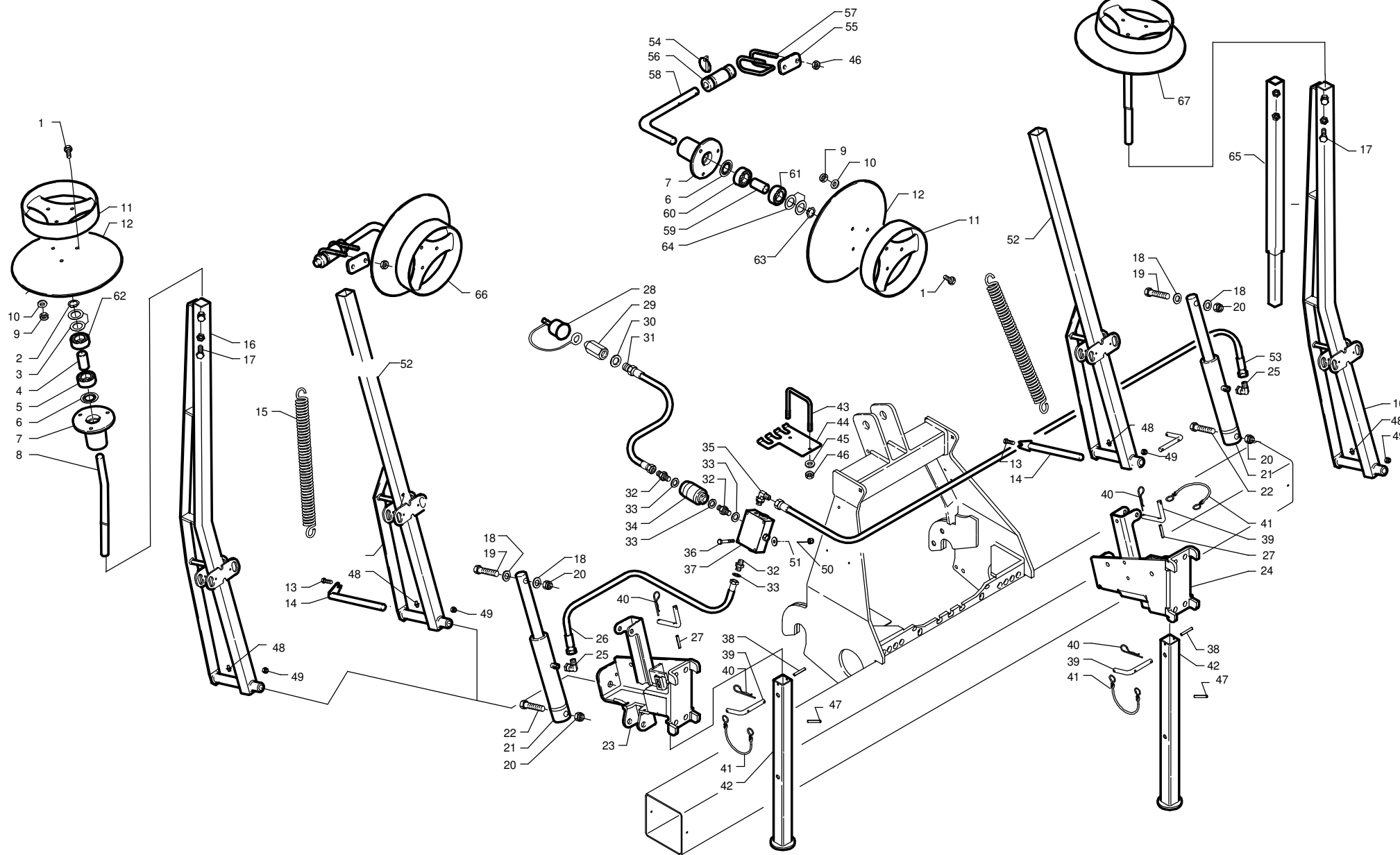
S.N.



S.N.

Pos.	Code	Description	Quantity
1	020.053	SCREW TE M 8X30 8.8 ISO 4017 ZB	0
2	028.250	SEEGER RING EXT. D. 25 7436 (HEAVY)	0
3	028.301	RING "PS" 25X35X2 DIN 988	0
4	10036976	MARKER HUB SPACER DE.30X51,5 ZB	0
5	049.999	BEARING 6005 2RS1	0
6	050.500	RING NILOS JV 6204	0
7	10036975	MARKER DISC HUB NYLON	0
8	10046166	MAIN MARKER SHAFT X CUS. ZB	0
9	021.114	SELF-LOCKING NUT M8 7473 ZB	0
10	023.023	TAPER WASHER 8.5X20X3	0
11	10046185	WELD ASSY ANTI-DIVE RING	0
12	153365	MARKER DISC.325	0
13	020.052	SCREW TE M 8X25 8.8 5739 ZB	0
14	10046160	WELD ASSY MARKER PIN	0
15	10046190	SPRING	0
16	10046145	WELD ASSY SHAPED LONG ARM RIGHT/LEFT	0
17	020.200	SCREW TE M 14X30 8.8 5739 ZB	0
18	020.263	SCREW TE M 16X80 8.8 ISO 4014 ZB	0
19	023.045	FLAT WASHER M16=17X30X3 6592 ZB	0
20	021.123	SELF-LOCKING NUT M14 7473 ZB	0
21	10046170	CYLINDER	0
22	020.257	SCREW TE M 16X90 8.8 5737 ZB	0
23	10046121	WELD ASSY ARM HOLDING BOX LEFT	0
24	10046120	WELD ASSY ARM HOLDING BOX RIGHT	0
25	060.178	CONNECTOR COMP. 90° M 1/4"+F GIR.1/4"	0
26	10035214	FLEXPIPE R1 FD 1/4"+FD 1/4"L=3000	0
27	024.335	ELASTIC PIN D. 6X35 6873 INOX	0
28	095.023	CAP PL.FOR CONNec. RAP.M.-FEM.1/2"	0
29	060.380	FAST COUPLING MALE 1/2"	0
30	060.402	COPPER WASHER 1/2" 21,5X27X1,5	0
31	10005240	FLEXPIPE 1/4"-FD 1/4"XMD 1/2" L=2000	0
32	060.199	NIPPLE 1/4"	0
33	060.400	COPPER WASHER 1/4" 13,5X19X1,5	0
34	061.026	ONE WAY NEEDLE VALVE 1/4"	0
35	058.311	CRANK 90° M-M WITH TURNING NUT 1/4"	0
36	020.020	SCREW TE M 6X60 8.8 ISO 4014 ZB	0
37	061.302	OLEOSTAR VALVE VAPS/14	0
38	024.346	ELASTIC PIN D. 6X50 6873	0
39	10016918	PARKING JACK BLOCKING PIN ZB	0
40	024.002	ELASTIC SPLIT PIN D. 3.2 8833-A ZB	0

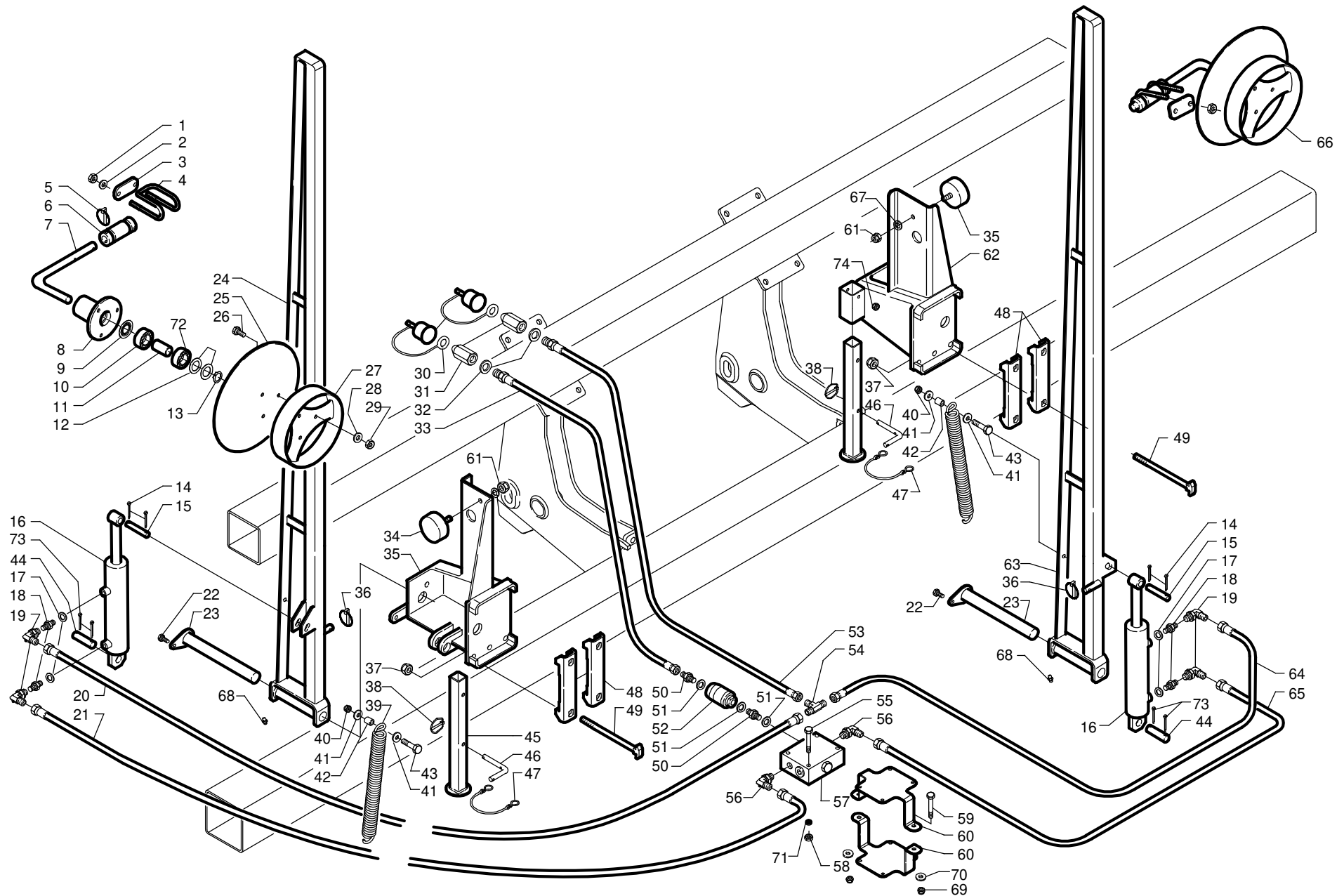
S.N.



S.N.

Pos.	Code	Description	Quantity
41	024.080	RUBBER TIE-ROD WITH SMALL HOOKS L=240	0
42	10046175	WELD ASSY MARKER FOOT V.4	0
43	156107	U-BOLT M10 FIX. SUPPORT ZB	0
44	10040400	TUBES SUPPORT ZB	0
45	023.030	FLAT WASHER M10=10,5X20X2 6592 ZB	0
46	021.112	SELF-LOCKING NUT M10 7473 ZB	0
47	024.348	ELASTIC PIN D. 6X22 6873 NE	0
48	022.001	GREASE DEVICE M6X1 UNI 7663A	0
49	021.114	SELF-LOCKING NUT M8 7473 ZB	0
50	021.115	SELF-LOCKING NUT M6 7473 ZB	0
51	023.010	FLAT WASHER M6=6,3X12X1,6 6592 ZB	0
52	10046140	WELD ASSY SHORT MARKER ARM RIGHT/LEFT	0
53	10035213	FLEXPIPE R1 FD 1/4 +FDL=3500	0
54	024.015	CLICK PIN D.6 B=48	0
55	10016932	PLATE ZB	0
56	10036971	SHAFT SUPPORT TUBE ZB	0
57	10036972	MARKER FIXING U-BOLT ZB	0
58	10016949	ROPE DRIVE LEFT ZB	0
59	10036977	MARKER HUB SPACER. DE.26,9X49,5 ZB	0
60	050.007	BEARING 20X47X14 6204-2RS	0
61	050.126	BEARING 6304-2RS	0
62	050.010	BEARING 6205-2RS	0
63	028.240	SEEGER RING EXT. D.20 7436 (HEAVY)	0
64	028.302	RING TYPE "PS" 20X28X1 DIN988	0
65	10046115	COMPL. ASSY ROW MARKER EXTENSION	0
66	10036974	COMPL. ASSY ROWMARKER DISC	0
67	10036980	COMPL. ASSY SHAFT D.25 + ROW MARKER DISC	0

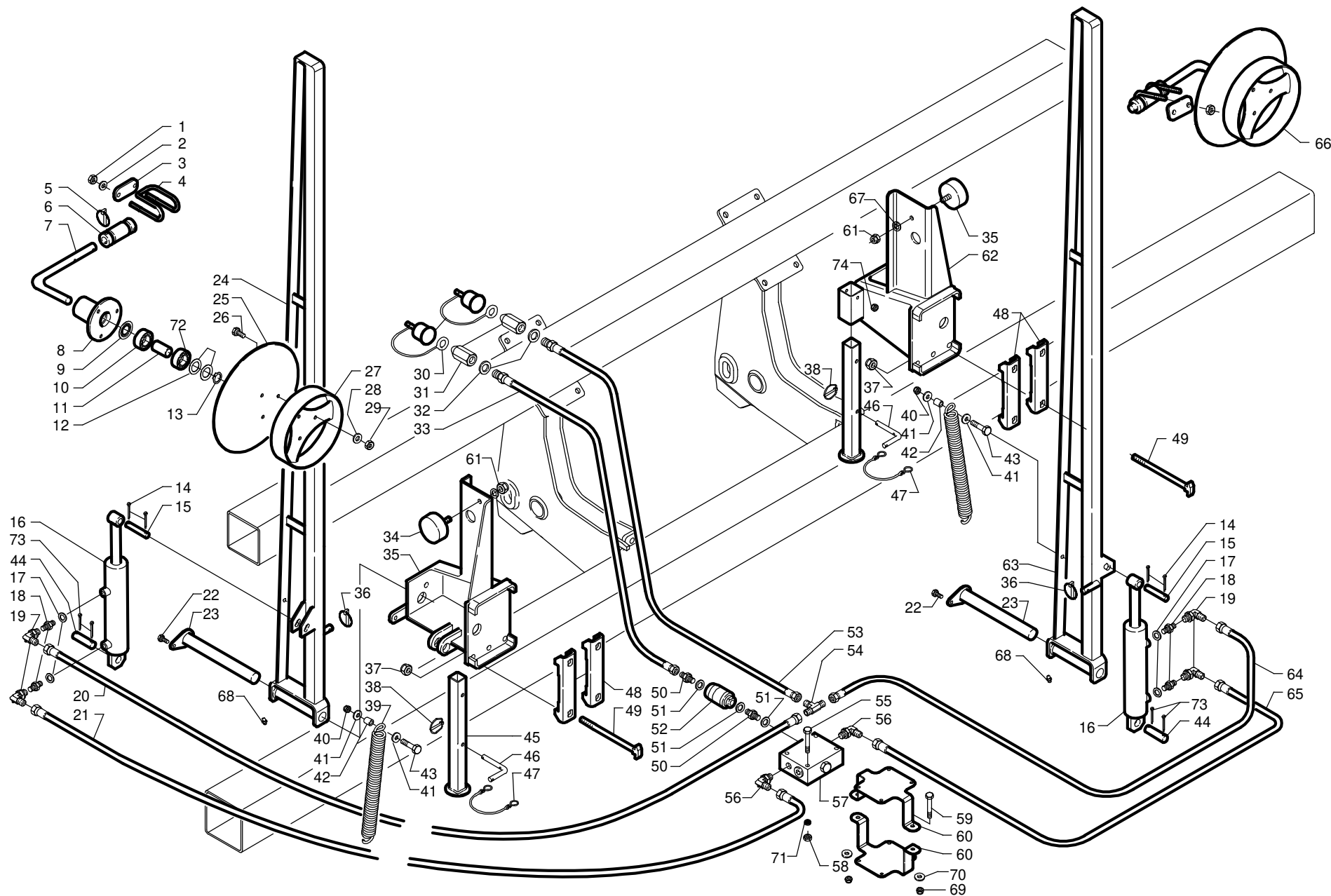
S.N.



S.N.

Pos.	Code	Description	Quantity
1	021.112	SELF-LOCKING NUT M10 7473 ZB	0
2	023.030	FLAT WASHER M10=10,5X20X2 6592 ZB	0
3	10016932	PLATE ZB	0
4	10036972	MARKER FIXING U-BOLT ZB	0
5	024.015	CLICK PIN D.6 B=48	0
6	10036971	SHAFT SUPPORT TUBE ZB	0
7	10016949	ROPE DRIVE LEFT ZB	0
8	10036975	MARKER DISC HUB NYLON	0
9	050.500	RING NILOS JV 6204	0
10	050.007	BEARING 20X47X14 6204-2RS	0
11	10036977	MARKER HUB SPACER. DE.26,9X49,5 ZB	0
12	028.302	RING TYPE "PS" 20X28X1 DIN988	0
13	028.240	SEEGER RING EXT. D.20 7436 (HEAVY)	0
14	024.236	COVER D. 5X32 ZB 1336	0
15	10036147	HEAD PIN	0
16	10036145	CYLINDER	0
17	060.400	COPPER WASHER 1/4" 13,5X19X1,5	0
18	060.199	NIPPLE 1/4"	0
19	060.178	CONNECTOR COMP. 90° M 1/4"+F GIR.1/4"	0
20	10035212	FLEXPipe R1 FD 1/4"+FD 1/4" L=4500	0
21	10035212	FLEXPipe R1 FD 1/4"+FD 1/4" L=4500	0
22	020.052	SCREW TE M 8X25 8.8 5739 ZB	0
23	10036150	WELD ASSY EXTERNAL PIN	0
24	10036136	WELD ASSY ARM RIGHT	0
25	153365	MARKER DISC.325	0
26	020.053	SCREW TE M 8X30 8.8 ISO 4017 ZB	0
27	10046185	WELD ASSY ANTI-DIVE RING	0
28	023.023	TAPER WASHER 8.5X20X3	0
29	021.114	SELF-LOCKING NUT M8 7473 ZB	0
30	095.023	CAP PL.FOR CONNec. RAP.M.-FEM.1/2"	0
31	060.380	FAST COUPLING MALE 1/2"	0
32	060.402	COPPER WASHER 1/2" 21,5X27X1,5	0
33	10005240	FLEXPipe 1/4"-FD 1/4"XMD 1/2" L=2000	0
34	095.303	RUBBER TAMPON DIAM 75 M12X25	0
35	10036111	WELD ASSY MARKER SUPPORT LEFT	0
36	024.010	CLICK PIN D. 10 B=60 ZG	0
37	021.120	SELF-LOCKING NUT M14 7473 ZB	0
38	024.011	CLICK PIN D.10 B=60 ZG	0
39	10046190	SPRING	0
40	021.112	SELF-LOCKING NUT M10 7473 ZB	0

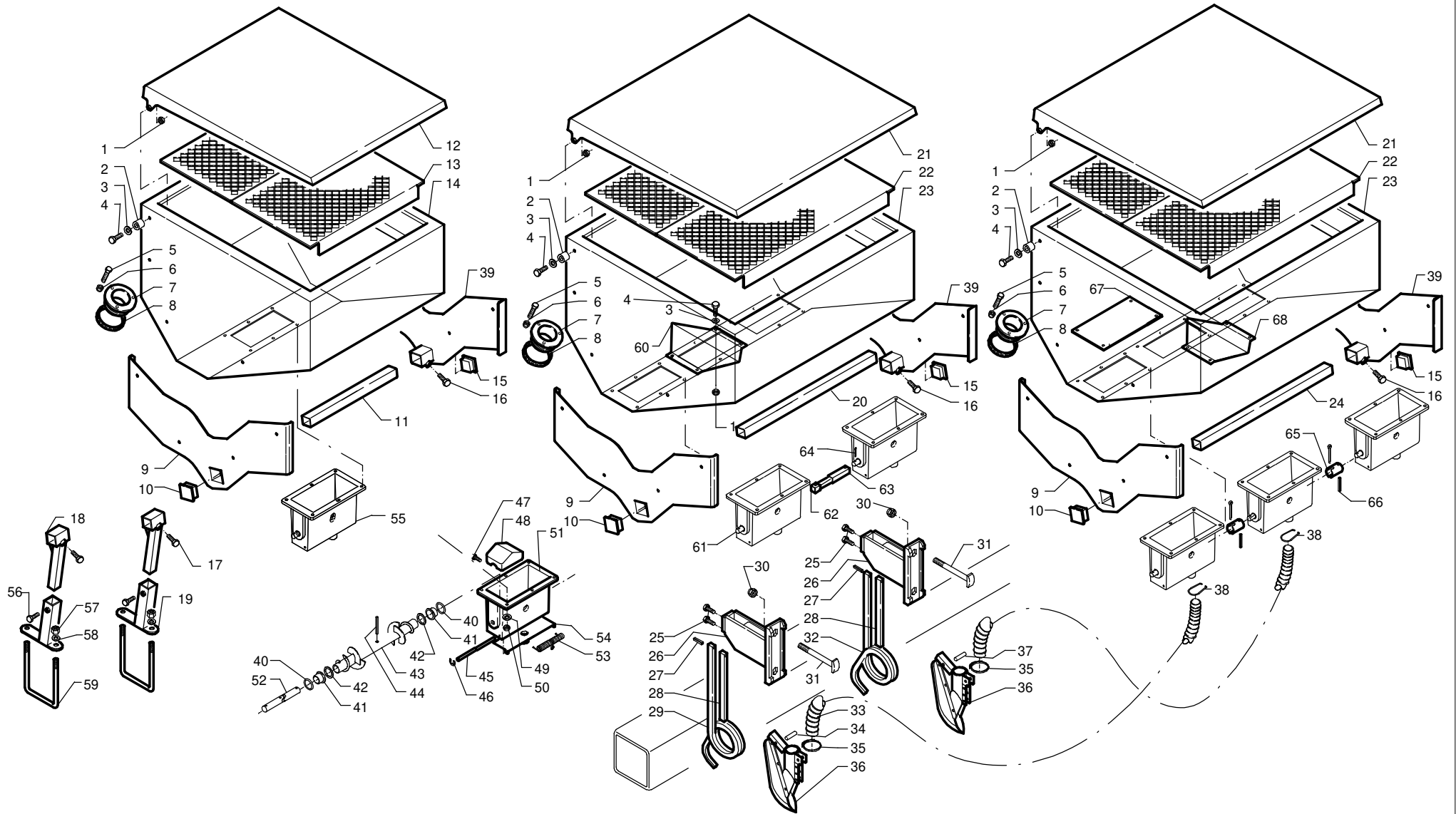
S.N.



S.N.

Pos.	Code	Description	Quantity
41	023.027	FLAT WASHER M10=11X30X2,5 6593 ZB	0
42	10036149	SPACER	0
43	020.105	SCREW TE M 10X45 8.8 5737 ZB	0
44	10036146	PIN	0
45	10046175	WELD ASSY MARKER FOOT V.4	0
46	10016918	PARKING JACK BLOCKING PIN ZB	0
47	024.080	RUBBER TIE-ROD WITH SMALL HOOKS L=240	0
48	10017102	FRONT LINKAGE	0
49	10011025	SCREW WITH STEADY RESET HEAD M14 D.320A	0
50	060.199	NIPPLE 1/4"	0
51	060.400	COPPER WASHER 1/4" 13,5X19X1,5	0
52	061.026	ONE WAY NEEDLE VALVE 1/4"	0
53	10005240	FLEXPIPE 1/4"-FD 1/4"XMD 1/2" L=2000	0
54	060.187	T SHAPED JOINT 1/4" M-M-M	0
55	020.042	SCREW TE M 6X55 8.8 5737 ZB	0
56	058.311	CRANK 90° M-M WITH TURNING NUT 1/4"	0
57	061.302	OLEOSTAR VALVE VAPS/14	0
58	021.115	SELF-LOCKING NUT M6 7473 ZB	0
59	020.052	SCREW TE M 8X25 8.8 5739 ZB	0
60	10036160	PLATE EXCHANGE VALVE HOLDER	0
61	021.113	SELF-LOCKING NUT M12 7473 ZB	0
62	10036110	WELD ASSY MARKER SUPPORT RIGHT	0
63	10036137	WELD ASSY ARM LEFT	0
64	10035213	FLEXPIPE R1 FD 1/4 +FDL=3500	0
65	10035213	FLEXPIPE R1 FD 1/4 +FDL=3500	0
66	10036974	COMPL. ASSY ROWMARKER DISC	0
67	023.040	FLAT WASHER M12=13X24X2,5 6592 ZB	0
68	021.114	SELF-LOCKING NUT M8 7473 ZB	0
69	023.020	FLAT WASHER M8=8,4X16X1,6 6592 ZB	0
70	021.114	SELF-LOCKING NUT M8 7473 ZB	0
71	023.010	FLAT WASHER M6=6,3X12X1,6 6592 ZB	0
72	050.126	BEARING 6304-2RS	0
73	024.249	COVER D. 6,3X40 ZB 1336	0
74	021.114	SELF-LOCKING NUT M8 7473 ZB	0

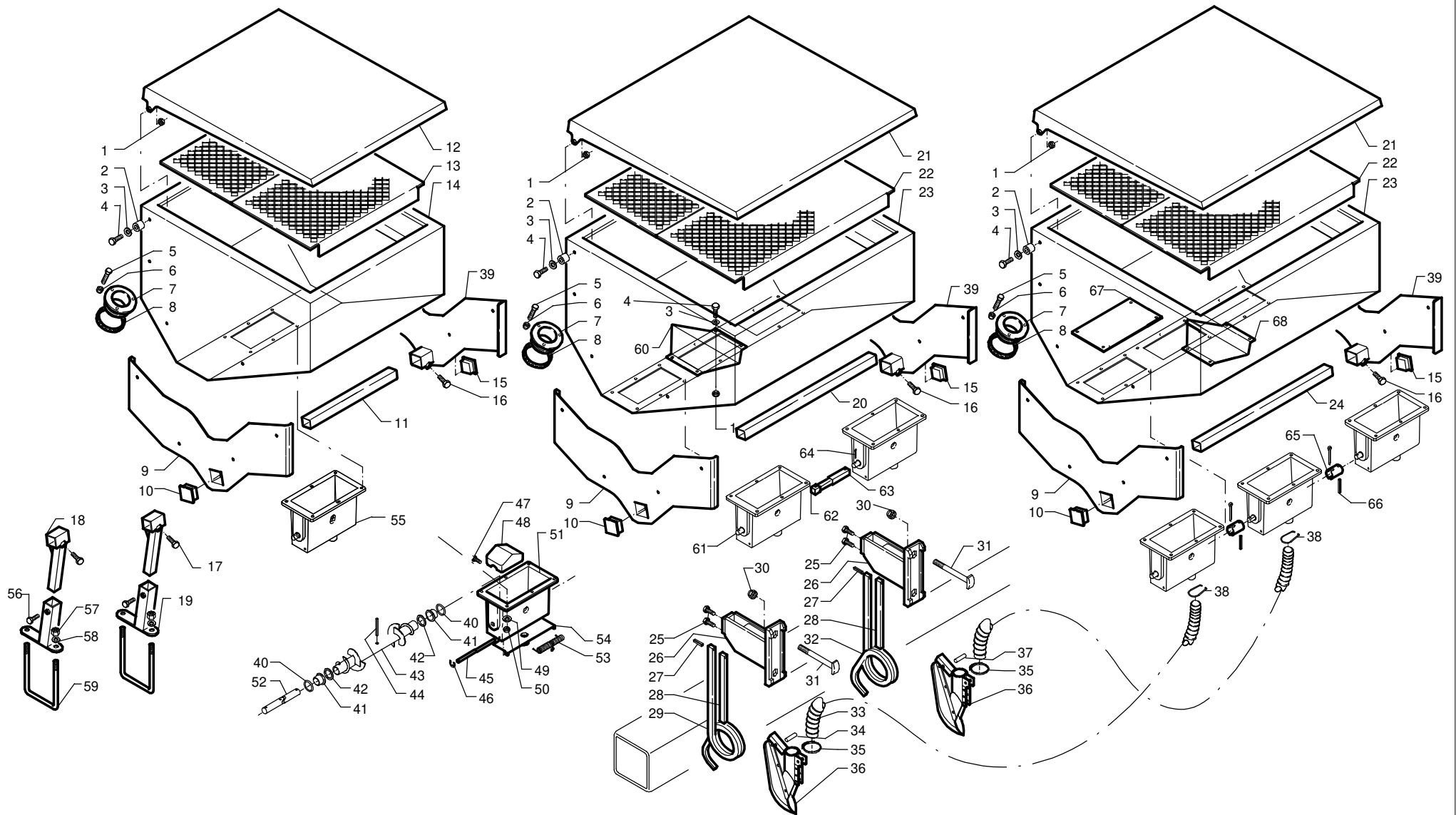
S.N.



S.N.

Pos.	Code	Description	Quantity
1	021.406	SELF-LOCKING NUT M 6 7473 INOX	0
2	10017142	SPACER ZB	0
3	022.706	FLAT WASHER M6=6,3X12X1,6 6592 INOX	0
4	021.816	SCREW TE M 6X20 8.8 5739 A2.70 INOX	0
5	021.820	SCREW TE M 5X20 8.8 5739 INOX	0
6	021.100	SELF-LOCKING NUT M5 7474 ZB	0
7	10017138	WELD ASSY FERTILISER DISCHARGING TUBE	0
8	10017139	PIPE UNION PLUG PVC	0
9	10027070	WELD ASSY FERTILIZER SIDE LEFT	0
10	095.077	PIPE CAP Q. 40 S.5 POL. BLACK	0
11	10027158	TRANSVERSAL TANK TUBE 560	0
12	10027036	WELD ASSY FERTILIZER COVER 560L	0
13	10027034	SIEVE 560	0
14	10027030	WELD ASSY FERTILIZER TANK 560L INOX	0
15	095.077	PIPE CAP Q. 40 S.5 POL. BLACK	0
16	020.151	SCREW TE M 12X025 8.8 5739 ZB	0
17	020.151	SCREW TE M 12X025 8.8 5739 ZB	0
18	10027140	WELD ASSY FERTILIZER TElesc. SUPPORT	0
19	10027120	WELD ASSY FERTILIZER SUPPORT	0
20	10027156	TRANSVERSAL TANK TUBE	0
21	10027016	WELD ASSY FERTILIZER COVER 800	0
22	10027026	SIEVE	0
23	10027002	WELD ASSY FERTILIZER TANK 800 INOX	0
24	10027156	TRANSVERSAL TANK TUBE	0
25	020.252	SCREW TE M 16X30 8.8 5739 ZB	0
26	10017101	WELD ASSY FURROWER FIXING BRACKET	0
27	024.345	ELASTIC PIN D. 6X40 6873 NE	0
28	10017113	SQUARE FOR COULTER SPRING	0
29	10017114	COULTER SPRING RIGHT 20X20	0
30	021.105	SELF-LOCKING NUT M 14 7474 ZB	0
31	10011025	SCREW WITH STEADY RESET HEAD M14 D.320A	0
32	10017108	SPRING FOR LEFT COULTER 20X20	0
33	083.601	PIPE WIND WITH SPIRAL PVC DI.40	0
34	024.425	EL. SPRI. PIN D.8X30 6875	0
35	025.501	BLACK BANDS L=300 SP.4	0
36	10017109	WELD ASSY FERTILIZ. COULTER HAY-CUTTER	0
37	083.601	PIPE WIND WITH SPIRAL PVC DI.40	0
38	10027286	AIR SPRING ZB	0
39	10027080	WELD ASSY FERTILIZER SIDE RIGHT	0
40	046.022	OR 3043 (D=2,62 D=10,78) - VITON	0

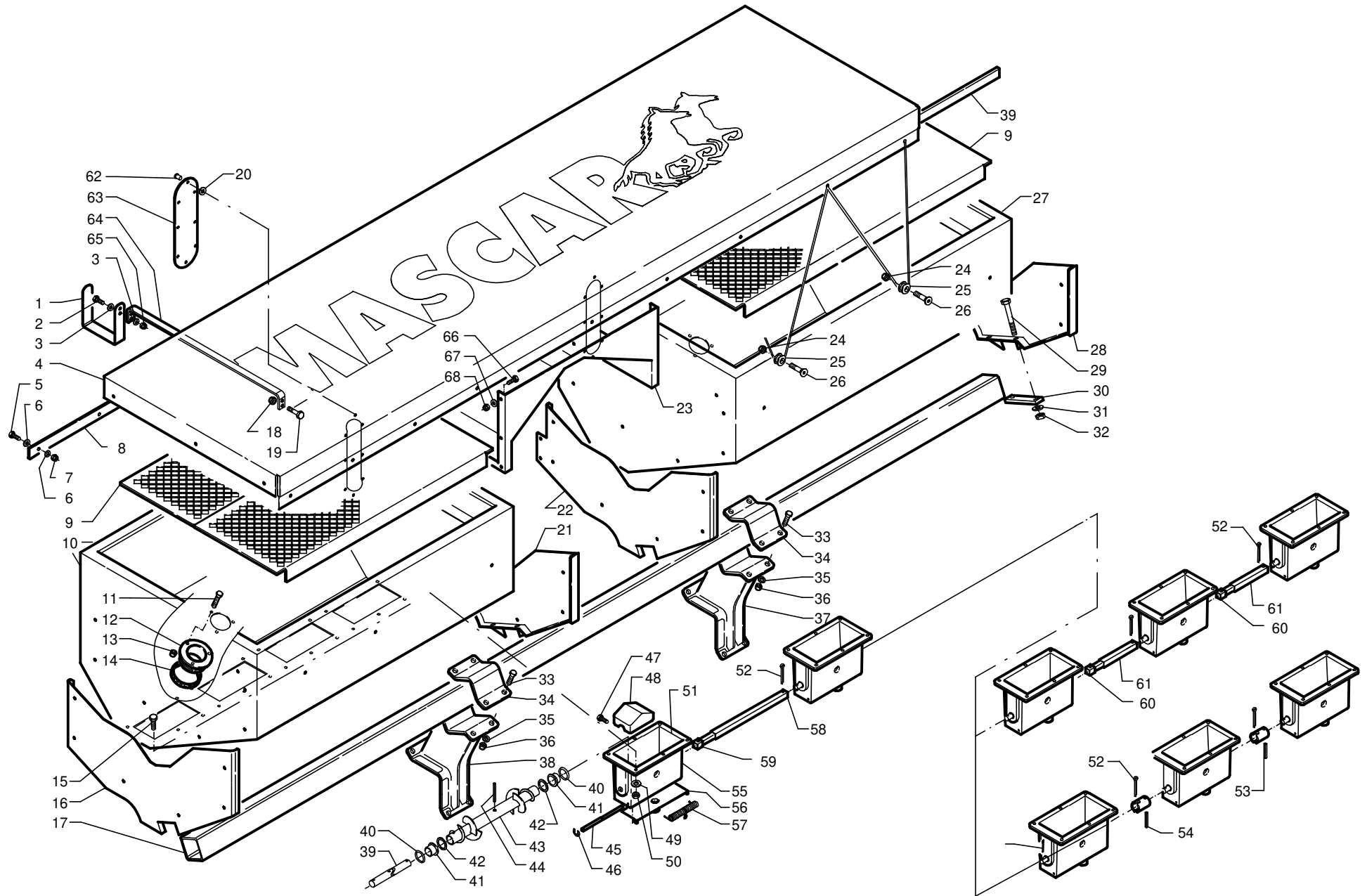
S.N.



S.N.

Pos.	Code	Description	Quantity
41	10037632	FERLIZER BRASS 16,2X22X28X3,5X22BRONZE	0
42	023.055	FLAT WASHER M16=17 X30X3 6592 INOX	0
43	10027217	WELD ASSY BIGGER FERTILIZER AUGER BLACK	0
44	024.355	ELASTIC PIN D. 6X55 6873 INOX	0
45	10027234	DOOR HOLDING SHAFT ZB	0
46	028.097	SEEGER RING EXT. D. 8 7435/471	0
47	021.816	SCREW TE M 6X20 8.8 5739 A2.70 INOX	0
48	10027230	BODY COVER	0
49	022.706	FLAT WASHER M6=6,3X12X1,6 6592 INOX	0
50	021.406	SELF-LOCKING NUT M 6 7473 INOX	0
51	10027206	COMPL. ASSY FERTILIZER DITRIBUTOR D.40	0
52	10027214	DISTRIBUTOR SHAFT (INOX 304)	0
53	10027236	DOOR SPRING ZB	0
54	10027235	WELD ASSY FERTILIZER WONDOW D.40	0
55	10027210	FERTILIZER DISTRIBUTOR	0
56	021.151	SELF-LOCKING NUT M 12X1,25 PF 7474 ZB	0
57	021.120	SELF-LOCKING NUT M14 7473 ZB	0
58	023.035	FLAT WASHER M14=15X28X2,5 6592 ZB	0
59	10000250	U-BOLT M14 ZB	0
60	10027022	TRANSFORMATION 3-2 OPENINGS	0
61	10027206	COMPL. ASSY FERTILIZER DITRIBUTOR D.40	0
62	10027270	WELD ASSY TRANSM. INT. EXTENSION	0
63	10027280	WELD ASSY TRANSM. EXTERNAL EXTENSION	0
64	024.236	COVER D. 5X32 ZB 1336	0
65	10027278	BODY JOINT BUSHING ZB	0
66	024.335	ELASTIC PIN D. 6X35 6873 INOX	0
67	10027024	MIDDLE EXIT CLOSING INOX	0
68	10027110	SWITCHER	0

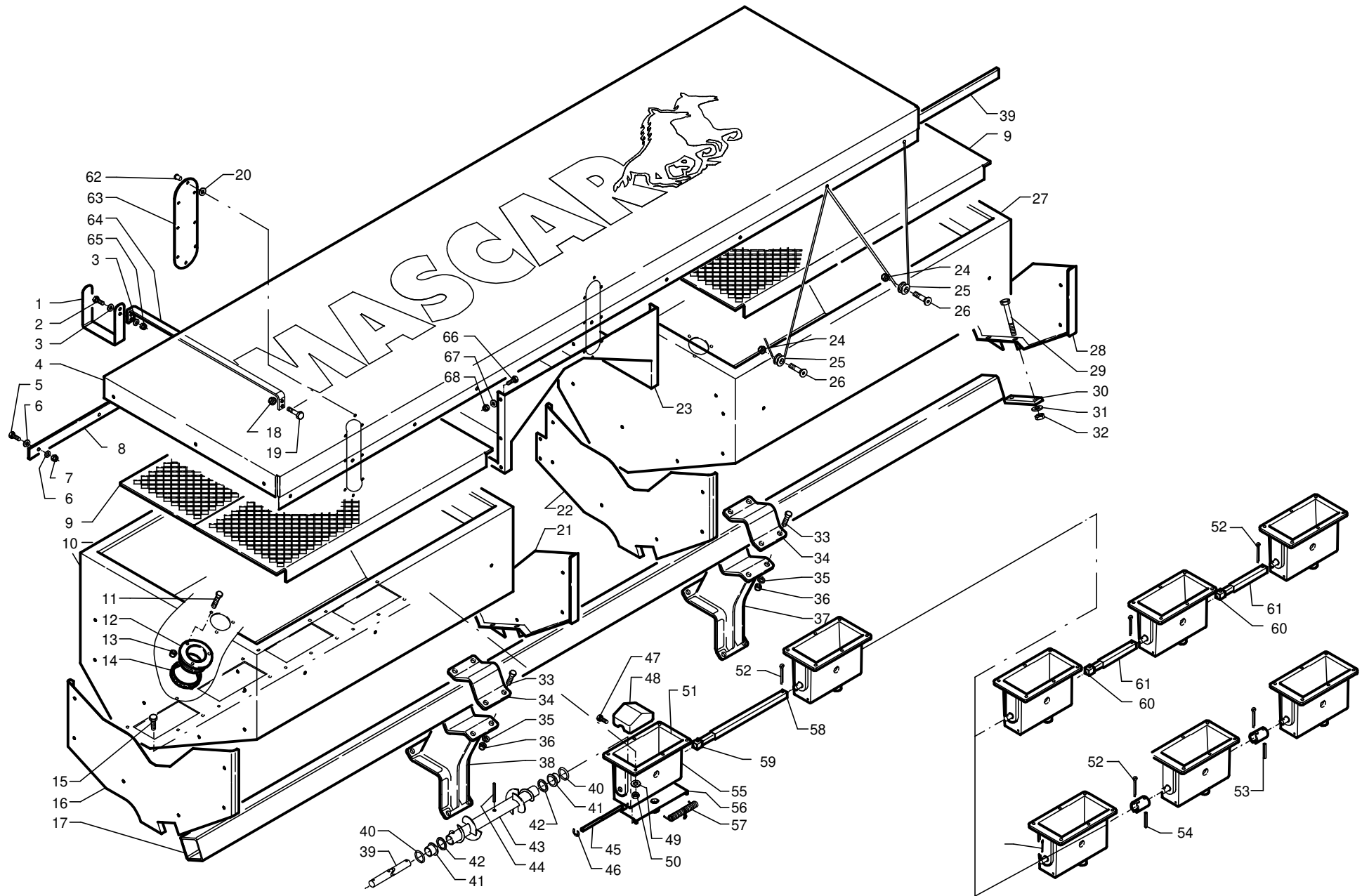
S.N.



S.N.

Pos.	Code	Description	Quantity
1	10037027	BRACKET COVER SUPPORT	0
2	020.013	SCREW TE M 6X25 8.8 ISO 4017 ZB	0
3	023.010	FLAT WASHER M6=6,3X12X1,6 6592 ZB	0
4	10027697	COMPL. ASSY PVC TARPAULIN+ELAST+RUD HEAD	0
4	10037023	COMPL. ASSY PVC TARPAULIN 725L TANK	0
5	020.012	SCREW TE M 6X20 8.8 ISO 4017 ZB	0
6	022.706	FLAT WASHER M6=6,3X12X1,6 6592 INOX	0
7	021.115	SELF-LOCKING NUT M6 7473 ZB	0
8	10027691	TARPAULIN PLATE	0
8	10037024	PLATE FOR TARPAULIN 25X2X2510	0
9	10027100	SIEVE	0
9	10037026	SIEVE TANK 725L	0
10	10037010	WELD ASSY FERTILIZER TANK LEFT 725L	0
10	10037060	WELD ASSY LEFT FERTILIZ. TANK 950L-4EXIT	0
11	021.820	SCREW TE M 5X20 8.8 5739 INOX	0
12	10017138	WELD ASSY FERTILISER DISCHARGING TUBE	0
13	021.100	SELF-LOCKING NUT M5 7474 ZB	0
14	10017139	PIPE UNION PLUG PVC	0
15	021.816	SCREW TE M 6X20 8.8 5739 A2.70 INOX	0
16	10027871	WELD ASSY EXTERNAL SIDE LEFT	0
17	10027783	SQUARE PIPE FERTILIZER 80X80X2992	0
17	10037022	SQUARE PIPE FERTILIZER 80X80X2530	0
18	021.114	SELF-LOCKING NUT M8 7473 ZB	0
19	020.050	SCREW TE M 8X16 8.8 5739 ZB	0
20	023.007	FLAT WASHER M4=4,3X9X0,8 6592 ZB	0
21	10022866	SUPPORT SHEET METAL RIGHT	0
22	10027870	WELD ASSY EXTERNAL SIDE RIGHT	0
23	10027860	WELD ASSY CENTRAL RUNNER	0
24	021.406	SELF-LOCKING NUT M 6 7473 INOX	0
25	025.420	RUND KOPF HOOKS	0
26	020.658	SCREW TSPEI M 6X25 10.9 5933 ZB	0
27	10037011	WELD ASSY FERTILIZER TANK RIGHT 725L	0
27	10037061	WELD ASSY FERTILIZ. TANK 950L-4EXIT	0
28	10027865	WELD ASSY EXTERNAL SIDE RIGHT	0
29	020.112	SCREW TE M 10X120 8.8 5737 ZB	0
30	10027878	FEEDBACK LINE	0
31	023.030	FLAT WASHER M10=10,5X20X2 6592 ZB	0
32	021.112	SELF-LOCKING NUT M10 7473 ZB	0
33	020.202	SCREW TE M 14X50 8.8 5737 ZB	0
34	10027784	SMALL SIDE HOLDING BRACKET	0

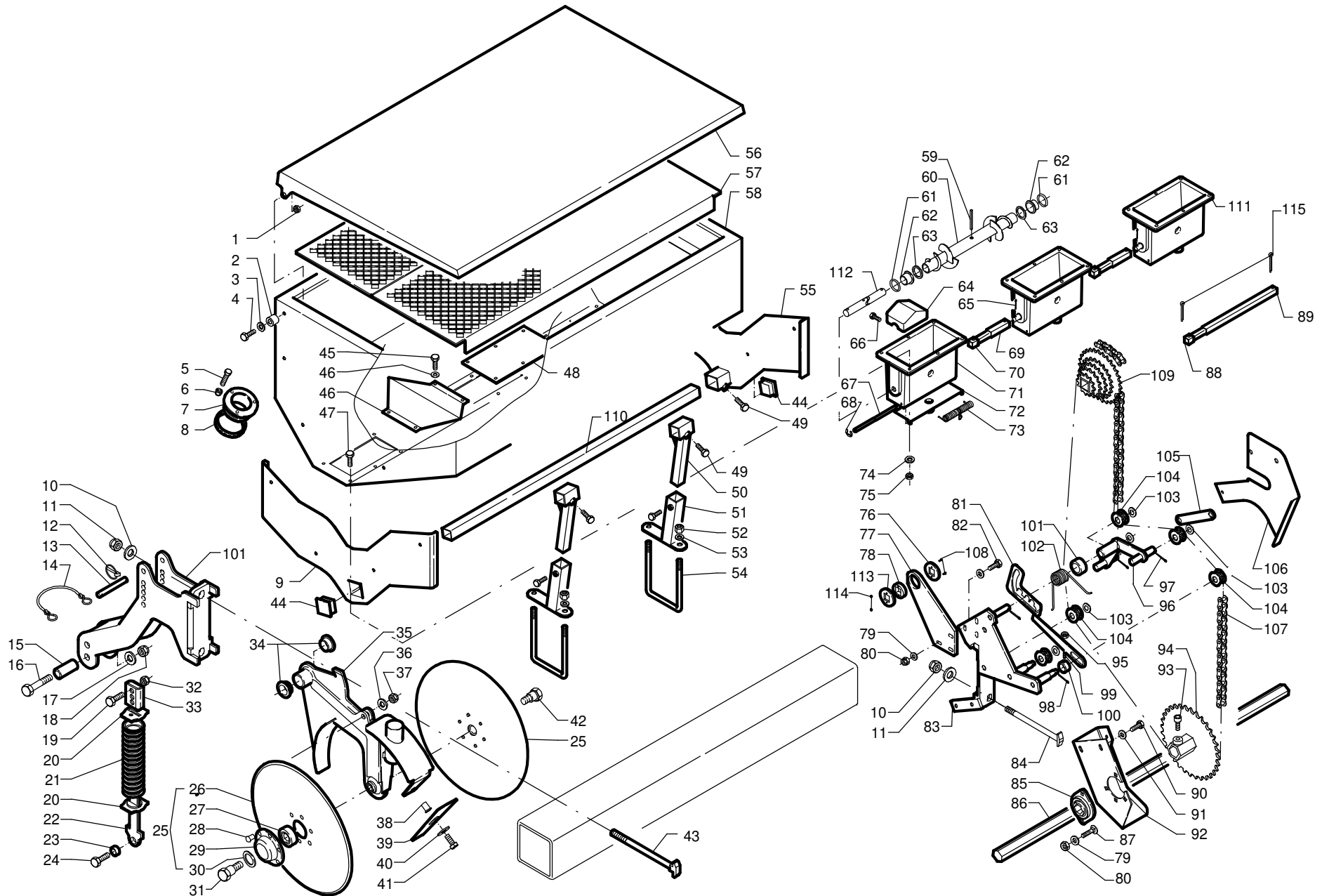
S.N.



S.N.

Pos.	Code	Description	Quantity
35	023.035	FLAT WASHER M14=15X28X2,5 6592 ZB	0
36	021.120	SELF-LOCKING NUT M14 7473 ZB	0
37	10037020	WELD ASSY 750L TANK BRACKET SUPPORT	0
38	10037020	WELD ASSY 750L TANK BRACKET SUPPORT	0
39	10027693	SQUARE TUBE 30X10X2960	0
39	10037025	SQUARE TUBE 30X10X2450	0
40	046.020	OR 3043 (D=2,62 D=10,78)	0
41	10037630	FERTILIZER BRASS 16X22X28X3,5X22	0
42	023.055	FLAT WASHER M16=17 X30X3 6592 INOX	0
43	10027217	WELD ASSY BIGGER FERTILIZER AUGER BLACK	0
44	024.355	ELASTIC PIN D. 6X55 6873 INOX	0
45	10027234	DOOR HOLDING SHAFT ZB	0
46	028.097	SEEGER RING EXT. D. 8 7435/471	0
47	021.816	SCREW TE M 6X20 8.8 5739 A2.70 INOX	0
48	10027230	BODY COVER	0
49	022.706	FLAT WASHER M6=6,3X12X1,6 6592 INOX	0
50	021.406	SELF-LOCKING NUT M 6 7473 INOX	0
51	10027210	FERTILIZER DISTRIBUTOR	0
52	024.236	COVER D. 5X32 ZB 1336	0
53	024.355	ELASTIC PIN D. 6X55 6873 INOX	0
54	10027278	BODY JOINT BUSHING ZB	0
55	10027206	COMPL. ASSY FERTILIZER DITRIBUTOR D.40	0
56	10027235	WELD ASSY FERTILIZER WONDOW D.40	0
57	10027236	DOOR SPRING ZB	0
58	10027260	WELD ASSY FERTIL. CENT. EXTENSION	0
59	10027254	WELD ASSY FERTIL. CENT. INT. EXTENSION	0
60	10027270	WELD ASSY TRANSM. INT. EXTENSION	0
61	10027280	WELD ASSY TRANSM. EXTERNAL EXTENSION	0
62	029.002	RIVET ALLUMINIUM D 4X15	0
63	10027695	FERTILIZER DISPLAY	0
64	10027874	TIE-ROD PLATE TANK 950	0
65	021.406	SELF-LOCKING NUT M 6 7473 INOX	0
66	020.051	SCREW TE M 8X20 8.8 5739 ZB	0
67	023.020	FLAT WASHER M8=8,4X16X1,6 6592 ZB	0
68	021.114	SELF-LOCKING NUT M8 7473 ZB	0

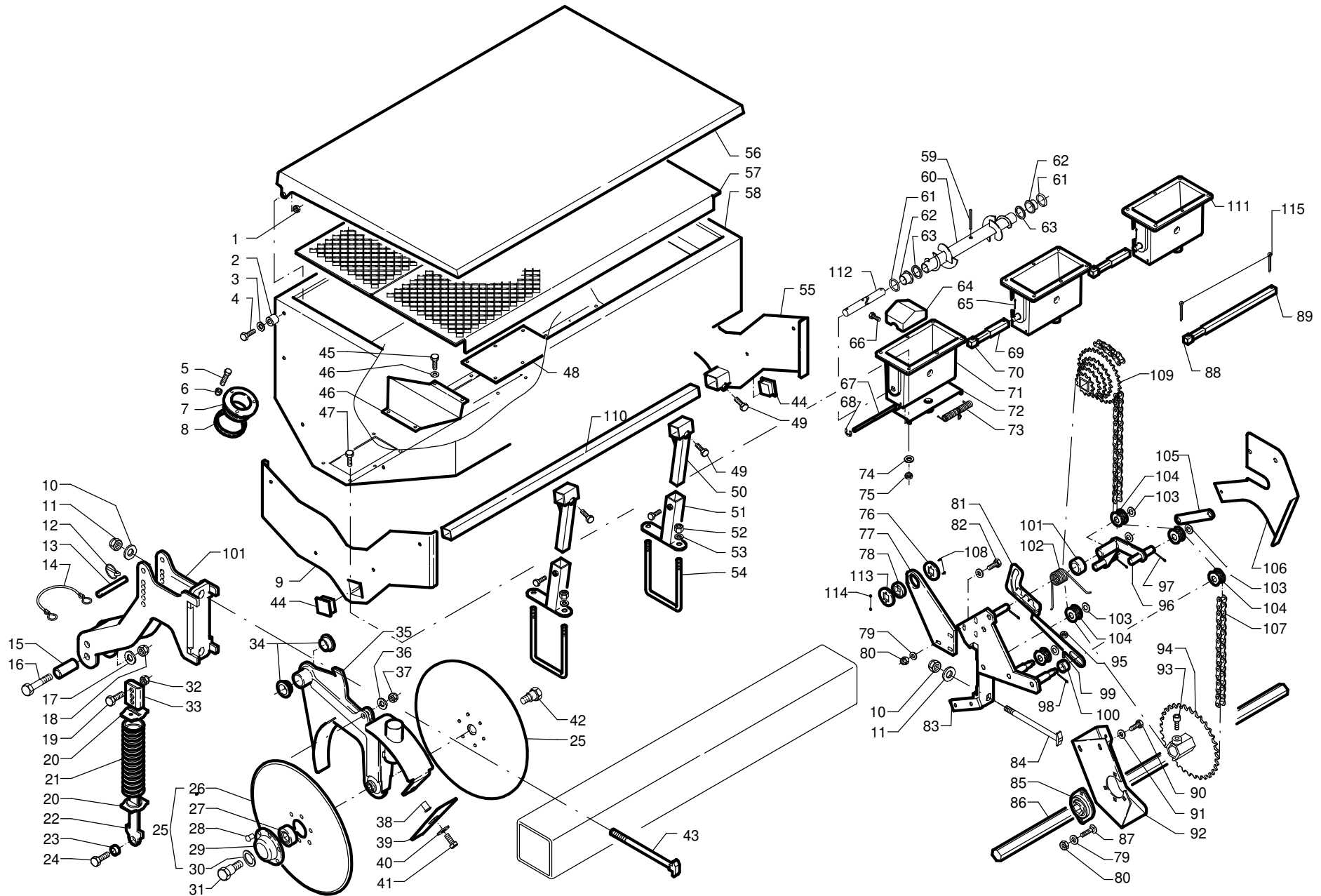
S.N.



S.N.

Pos.	Code	Description	Quantity
1	021.406	SELF-LOCKING NUT M 6 7473 INOX	0
2	10017142	SPACER ZB	0
3	022.706	FLAT WASHER M6=6,3X12X1,6 6592 INOX	0
4	021.816	SCREW TE M 6X20 8.8 5739 A2.70 INOX	0
5	021.820	SCREW TE M 5X20 8.8 5739 INOX	0
6	021.100	SELF-LOCKING NUT M5 7474 ZB	0
7	10017138	WELD ASSY FERTILISER DISCHARGING TUBE	0
8	10017139	PIPE UNION PLUG PVC	0
9	10027070	WELD ASSY FERTILIZER SIDE LEFT	0
10	023.025	FLAT WASHER M12=14X36X3 6593 ZB	0
11	021.120	SELF-LOCKING NUT M14 7473 ZB	0
12	024.016	PIN LOCK DIN 11023 ø 4.5	0
13	10037886	PIN FOR SPRING GUIDING BAR ZBD	0
14	024.080	RUBBER TIE-ROD WITH SMALL HOOKS L=240	0
15	10037825	OSCILLATION BUSH 25X56X16 ZB	0
16	020.057	SCREW TE M 8X50 8.8 5737 ZB	0
17	023.045	FLAT WASHER M16=17X30X3 6592 ZB	0
18	021.123	SELF-LOCKING NUT M14 7473 ZB	0
19	020.066	SCREW TE M 8X30 8.8 ISO 4014 ZB	0
20	10037928	WELD ASSY SPRING GUIDE PLATE	0
21	10037866	SPRING	0
22	10037910	GUIDE ROD SPRING COMPRESSION "S"	0
23	10037916	BUSH FOR SPRING DRIVING BAR	0
24	020.155	SCREW TE M 12X50 8.8 ISO 4014 ZB	0
25	10037660	COMPL. ASSY LISTE4R DISC	0
26	10037604	DISC COULTER D.354-S.3 (27.8)	0
27	050.105	BEARING 3204-2RS1	0
28	023.842	RIVET FE TT D.6X16 UNI 748	0
29	30031204	DISC HUB	0
30	050.500	RING NILOS JV 6204	0
31	30031206	DISC FIXING FLANGED SCREW LEFT ZB	0
32	021.114	SELF-LOCKING NUT M8 7473 ZB	0
33	10037920	WELD ASSY SPRING GUIDE INDICATOR	0
34	052.355	FLANGE BUSHING MU TFF 25X30X40 H=16	0
35	10037854	WELD ASSY DISCS SUPORT S. RIGHT D.40	0
36	023.040	FLAT WASHER M12=13X24X2,5 6592 ZB	0
37	021.113	SELF-LOCKING NUT M12 7473 ZB	0
38	023.924	RIVET TC UNI 9201-B M10-8	0
39	10037890	INTERN. SCAPER CAT. NERA	0
40	023.027	FLAT WASHER M10=11X30X2,5 6593 ZB	0

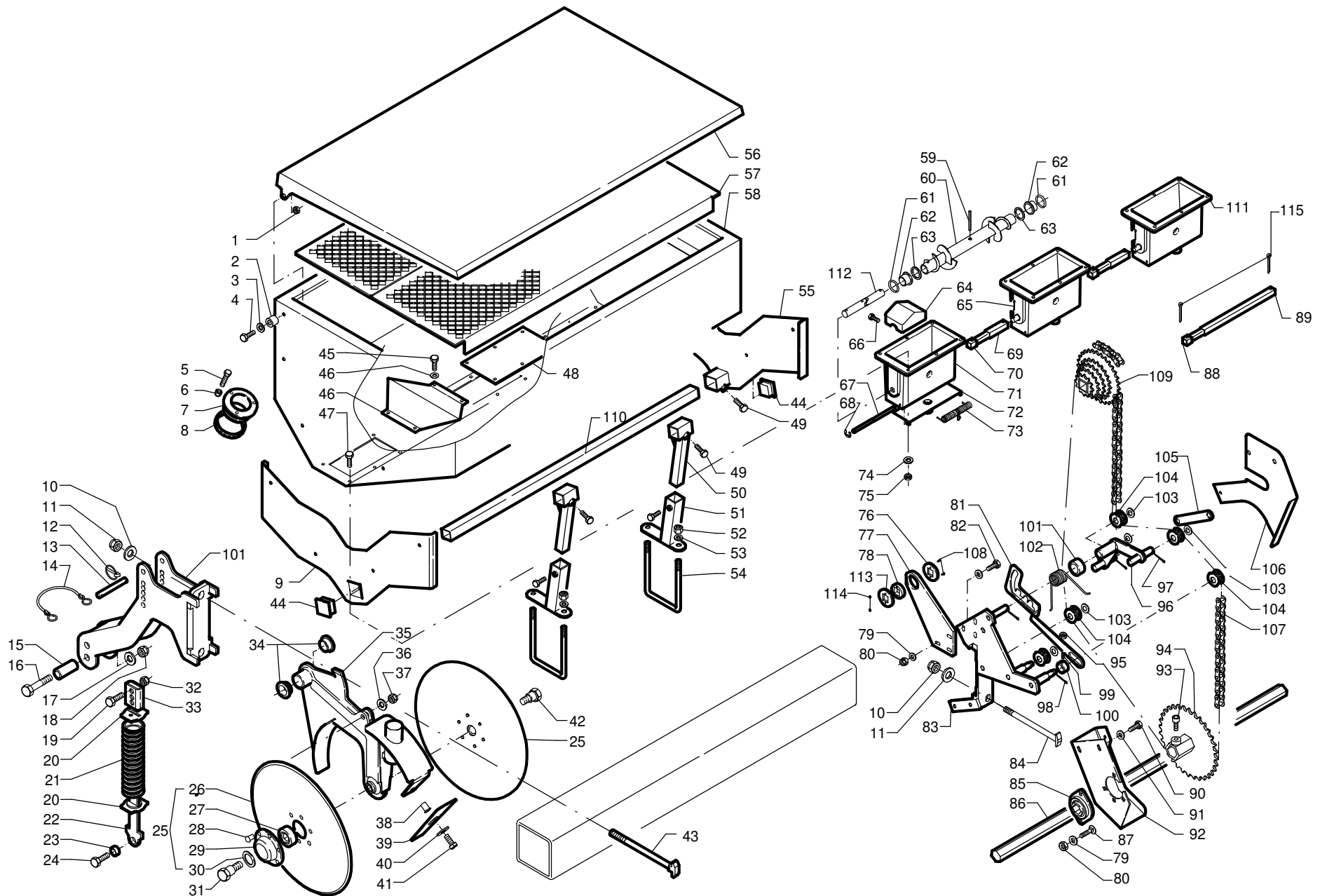
S.N.



S.N.

Pos.	Code	Description	Quantity
41	020.101	SCREW TE M 10X25 8.8 5739 ZB	0
42	30031205	DISC FIXING FLANGED SCREW RIGHT ZB	0
43	10011025	SCREW WITH STEADY RESET HEAD M14 D.320A	0
44	095.077	PIPE CAP Q. 40 S.5 POL. BLACK	0
45	021.816	SCREW TE M 6X20 8.8 5739 A2.70 INOX	0
46	022.706	FLAT WASHER M6=6,3X12X1,6 6592 INOX	0
47	020.151	SCREW TE M 12X025 8.8 5739 ZB	0
48	10027024	MIDDLE EXIT CLOSING INOX	0
49	020.151	SCREW TE M 12X025 8.8 5739 ZB	0
50	10027140	WELD ASSY FERTILIZER TElesc. SUPPORT	0
51	10027120	WELD ASSY FERTILIZER SUPPORT	0
52	021.120	SELF-LOCKING NUT M14 7473 ZB	0
53	023.035	FLAT WASHER M14=15X28X2,5 6592 ZB	0
54	10000250	U-BOLT M14 ZB	0
55	10027080	WELD ASSY FERTILIZER SIDE RIGHT	0
56	10027090	WELD ASSY FERTILIZER COVER 1200	0
57	10027100	SIEVE	0
58	10027050	WELD ASSY FERTILIZER TANK I 1200 INOX	0
59	024.355	ELASTIC PIN D. 6X55 6873 INOX	0
60	10027217	WELD ASSY BIGGER FERTILIZER AUGER BLACK	0
61	046.022	OR 3043 (D=2,62 D=10,78) - VITON	0
62	10037632	FERTILIZER BRASS 16,2X22X28X3,5X22BRONZE	0
63	023.055	FLAT WASHER M16=17 X30X3 6592 INOX	0
64	10027230	BODY COVER	0
65	024.236	COVER D. 5X32 ZB 1336	0
66	021.816	SCREW TE M 6X20 8.8 5739 A2.70 INOX	0
67	10027234	DOOR HOLDING SHAFT ZB	0
68	028.097	SEEGER RING EXT. D. 8 7435/471	0
69	10027276	WELD ASSY TRANSM. EXTERNAL EXTENSION	0
70	10027270	WELD ASSY TRANSM. INT. EXTENSION	0
71	10027210	FERTILIZER DISTRIBUTOR	0
72	10027235	WELD ASSY FERTILIZER WONDOW D.40	0
73	10027236	DOOR SPRING ZB	0
74	022.706	FLAT WASHER M6=6,3X12X1,6 6592 INOX	0
75	021.406	SELF-LOCKING NUT M 6 7473 INOX	0
76	10037468	DISC RIGHT ZB	0
77	10037464	TRANSMISSION SUPPORT	0
78	10037466	BUSHING	0
79	023.020	FLAT WASHER M8=8,4X16X1,6 6592 ZB	0
80	021.114	SELF-LOCKING NUT M8 7473 ZB	0

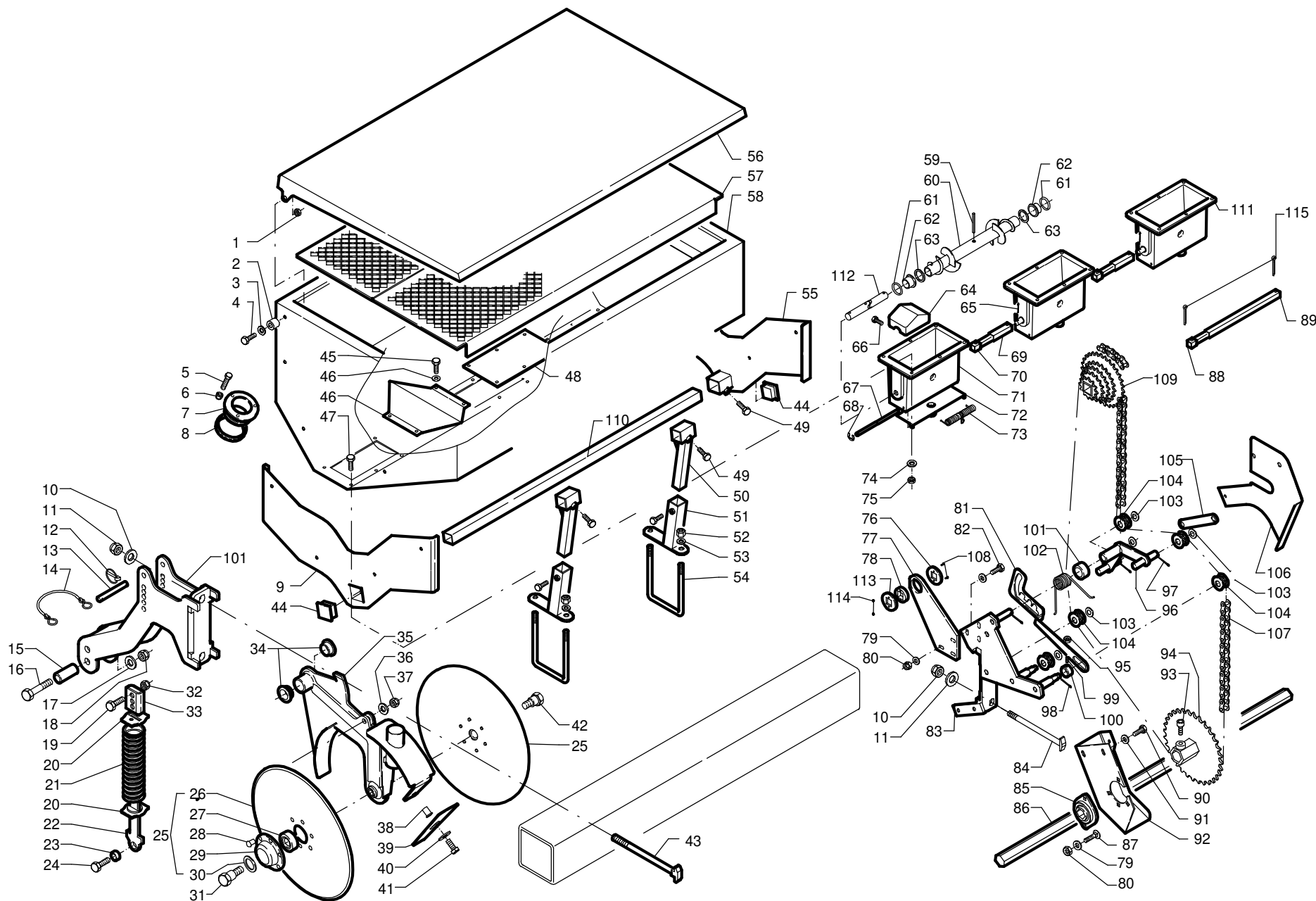
S.N.



S.N.

Pos.	Code	Description	Quantity
81	10027478	LIMIT LINE CORSA	0
82	020.054	SCREW TE M 8X35 8.8 5739 ZB	0
83	10037450	WELD ASSY SUPPORT FERTILIZER TRANSMISS.	0
84	10011025	SCREW WITH STEADY RESET HEAD M14 D.320A	0
85	10022730	COMPL. ASSY FLANGE PFL 205+BEAR. EX.19,1	0
86	10002313	TRASMISSION HEXAGON 1150 ZB	0
86	10002318	TRASMISSION HEXAGON 1800 ZB	0
86	10002320	TRASMISSION HEXAGON 2000 ZB	0
86	10002322	TRASMISSION HEXAGON 2250	0
86	10002325	TRASMISSION HEXAGON 2500 ZB	0
86	10002331	TRASMISSION HEXAGON 3190 ZB	0
86	10002332	TRASMISSION HEXAGON 3250 ZB	0
86	10002335	TRASMISSION HEZAGON 3500 ZB	0
86	10002340	TRASMISSION HEXAGON 4000 ZB	0
86	10002342	TRASMISSION HEXAGON 4200 ZB	0
86	10002345	TRANSMISSION EXAGON 4500	0
86	10002355	TRASMISSION HEXAGON 5500 ZB	0
86	10002365	TRANSMISSION EXAGON 6500	0
87	020.601	SCREW TTQST M 8X25 4.6 5731 ZB	0
88	10027254	WELD ASSY FERTIL. CENT. INT. EXTENSION	0
89	10027260	WELD ASSY FERTIL. CENT. EXTENSION	0
90	020.051	SCREW TE M 8X20 8.8 5739 ZB	0
91	023.020	FLAT WASHER M8=8,4X16X1,6 6592 ZB	0
92	10027472	TRANSMISSION COVER PLATE PROTECTION	0
93	020.050	SCREW TE M 8X16 8.8 5739 ZB	0
94	10027426	WELD ASSY LOWER 3 PINIONS SET ZB	0
95	021.034	NUT E 6S M 6 5588	0
96	10027465	WELD ASSY TIGHTENER ZB	0
97	024.233	COVER D. 4X20 ZB 1336	0
98	024.233	COVER D. 4X20 ZB 1336	0
99	026.104	GRAIN CE 12.9 M 6X20 5927	0
100	10027479	D.30 D. 20 COMPASS THREADED 6M	0
101	10037805	WELD ASSY LISTER SUPPORT	0
102	10027470	TIGHTENER SPRING ZB	0
103	023.025	FLAT WASHER M12=14X36X3 6593 ZB	0
104	10027477	CHAIN TIGHTENER ROLLER Z=10 1/2"X5/16"	0
105	10027467	CHAIN GUIDE PLATE ZB	0
106	10027475	CHAIN PROTECTION COVER PLATE	0
107	10027474	CHAIN 1/2"X3/16" 129 LINKS	0
108	020.660	SCREW TSPEI M 4X25 10.9 5933 ZB	0

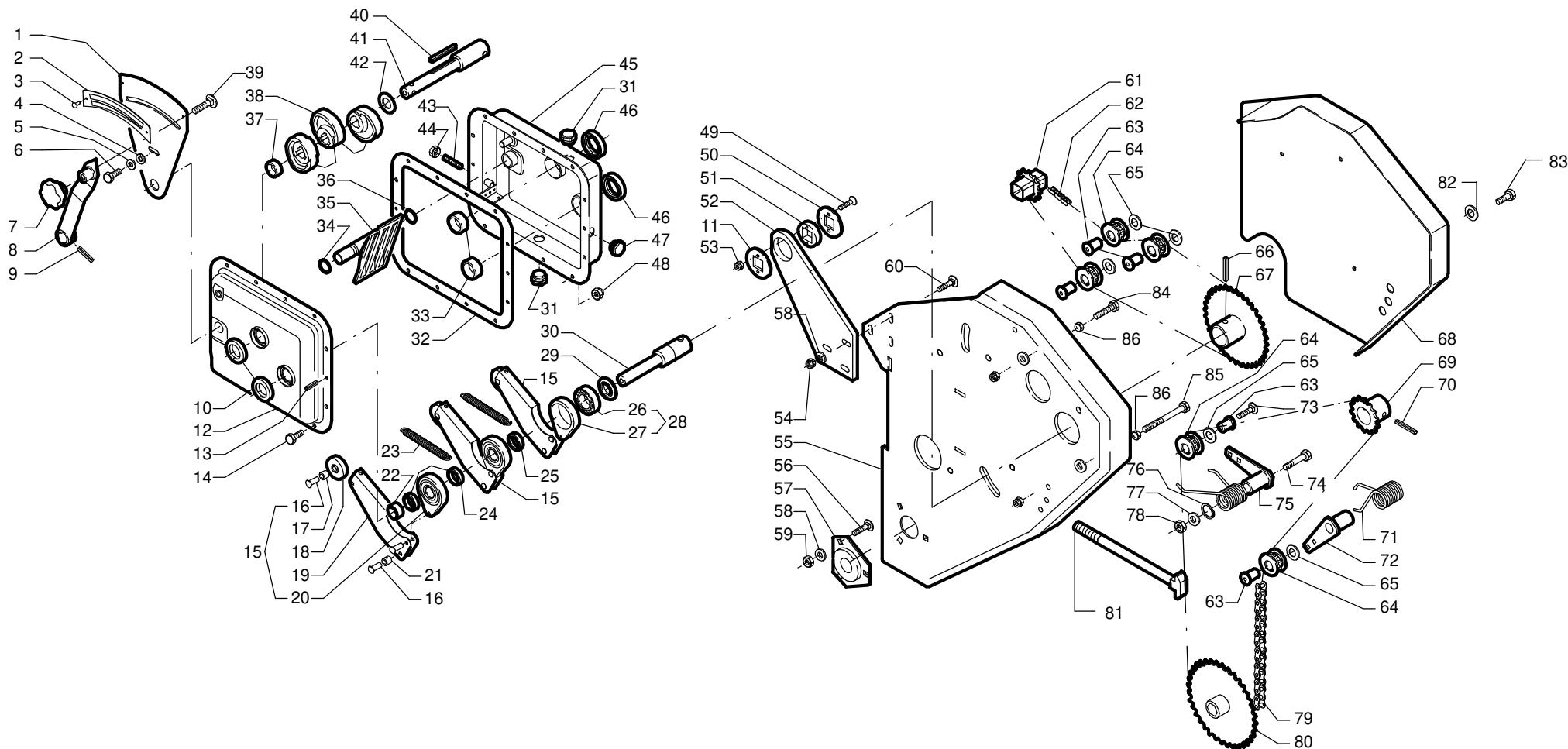
S.N.



S.N.

Pos.	Code	Description	Quantity
109	10027404	WELD ASSY UPPER 5 PINIONS SET ZB	0
110	10027150	TRANSVERSAL TANK TUBE 1200	0
111	10027206	COMPL. ASSY FERTILIZER DITRIBUTOR D.40	0
112	10027214	DISTRIBUTOR SHAFT (INOX 304)	0
113	10037470	DISC LEFT ZB	0
114	021.099	SELF-LOCKING NUT M 4 7473 ZB	0
115	024.236	COVER D. 5X32 ZB 1336	0

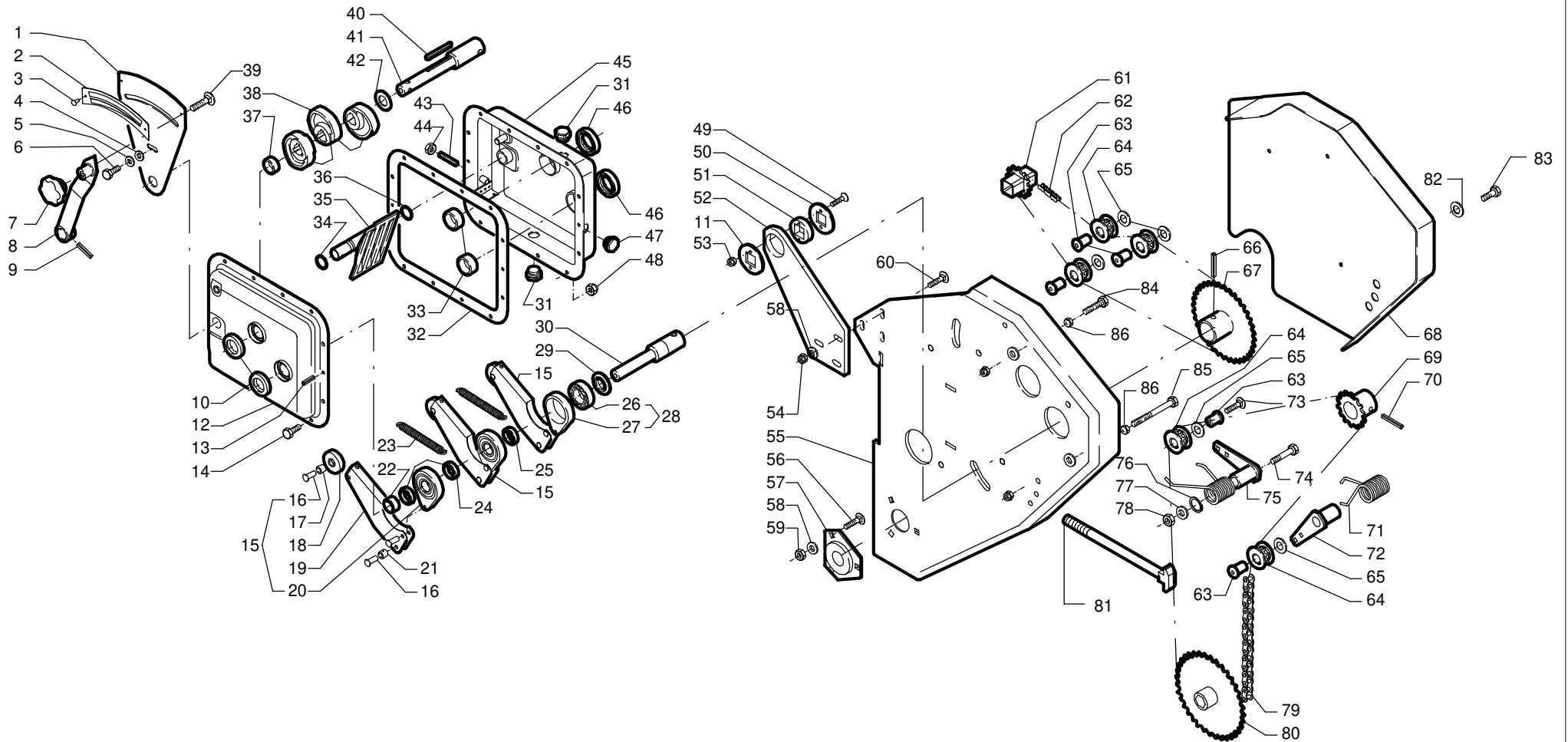
S.N.



S.N.

Pos.	Code	Description	Quantity
1	157305	SUPPORT NAMEPLATE ZB	0
2	157304	REGULATING PLATE	0
3	023828	RIVET TT 3.5X1/4 ZT	0
4	023.301	GROWER WASHER A M8-D. 8,4 1751 ZBD	0
5	023.020	FLAT WASHER M8=8,4X16X1,6 6592 ZB	0
6	020.051	SCREW TE M 8X20 8.8 5739 ZB	0
7	030556	HAND-WHEEL VB/50 M8 6 LOBI	0
8	157308	WELD ASSY INDEX COMPOUND	0
9	024.344	ELASTIC PIN D.6X30 6873	0
10	025128	SEAL RING 20X35X7	0
11	10037470	DISC LEFT ZB	0
12	157292	WELD ASSY COVER GEARBOX	0
13	024.340	ELASTIC PIN D. 6X10 6873 NE	0
14	020.011	SCREW TE M 6X16 8.8 5739 ZB	0
15	157322	COMP. R. CONROD COMPOUND	0
16	156948	PIN	0
17	156949	BUSHING	0
18	156946	NYLON WHEEL	0
19	157303	ROD	0
20	157323	COMPL. ASSY RING + FREE WHEEL	0
21	156950	BUSH	0
22	156969	BUSHING MU TFP 20-23-15	0
23	156957	DRIVE SPRING CONNECT. ROAD	0
24	157328	KNOCK RING POSTERIOR SPACER 20X30X5	0
25	157327	SPACER RING OF BEARINGS 20X30X4	0
26	050.091	BEARING FREE WHEEL BB20 MC SS 20X47X14	0
27	157324	RING FREE WHEEL TSUBAKI	0
28	157323	COMPL. ASSY RING + FREE WHEEL	0
29	157326	SLIDING SPACER RING 20X40X5	0
30	157325	SHAFT FREE WHEEL	0
31	030553	EXHAUST PLUG 20X1,5 ALL	0
32	157289	GASKET GEAR BOX	0
33	156952	BUSHING MU TFP 30-34-15	0
34	046.014	O RING 119	0
35	157310	WELD ASSY ADJUSTMENT SECTOR	0
36	046.014	O RING 119	0
37	156969	BUSHING MU TFP 20-23-15	0
38	157307	CAM	0
39	020.576	SCREW TTQST M 8X40 4.6 5731 ZB	0
40	027.105	GROOVE-AND TONGUE JOINT 6X6X60 6604/A	0

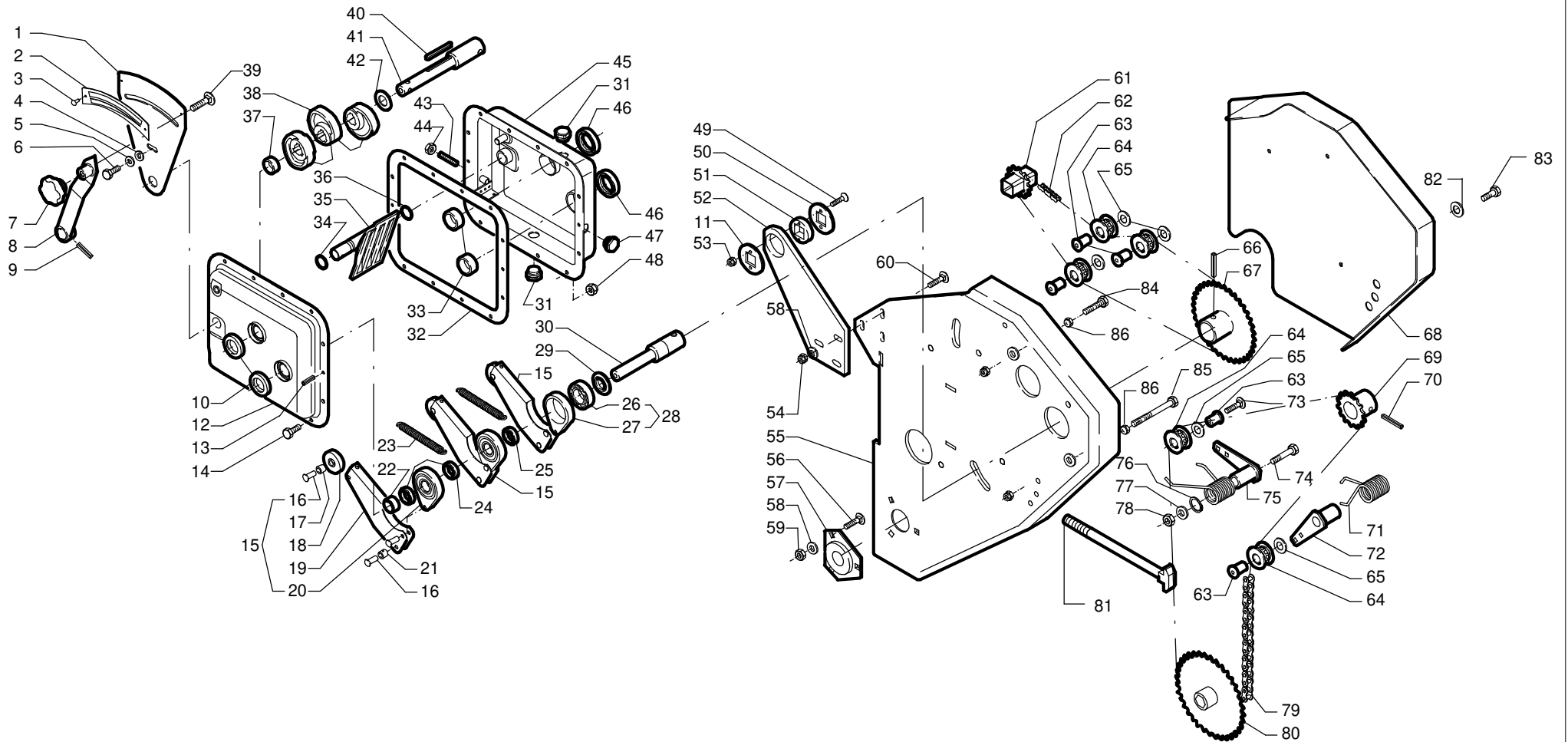
S.N.



S.N.

Pos.	Code	Description	Quantity
41	157306	CAM SHAFT	0
42	156976	THRUST BEARING WM 18 FBA	0
43	026.102	GRAIN CE 12.9 M 8X40 5923/A	0
44	021.003	NUT E 6S M 8 5588 ZB	0
45	157291	WELD ASSY GEARBOX TEXAS	0
46	025133	SEAL SPRING 30X47X10	0
47	030558	PLUG HFT. 14 M20X1,5	0
48	021.115	SELF-LOCKING NUT M6 7473 ZB	0
49	020.660	SCREW TSPEI M 4X25 10.9 5933 ZB	0
50	10037468	DISC RIGHT ZB	0
51	10037466	BUSHING	0
52	10037464	TRANSMISSION SUPPORT	0
53	021.099	SELF-LOCKING NUT M 4 7473 ZB	0
54	021.114	SELF-LOCKING NUT M8 7473 ZB	0
55	10037680	WELD ASSY CONTINUOUS GEAR SUPPORT	0
56	020.052	SCREW TE M 8X25 8.8 5739 ZB	0
57	051.023	BEARING WITH SUPPORT SBPFD205	0
58	023.020	FLAT WASHER M8=8,4X16X1,6 6592 ZB	0
59	021.114	SELF-LOCKING NUT M8 7473 ZB	0
60	020.598	SCREW TTQST M 8X35 4.6 5731 ZB	0
61	10037765	WELD ASSY PINION FERTILIZER Z=12	0
62	10037692	SECODARY CHAIN 109 P + G ISO 083	0
63	10037698	SLIDING PIN D. 15X25 ZB	0
64	10027477	CHAIN TIGHTENER ROLLER Z=10 1/2"X5/16"	0
65	023.006	FLAT WASHER M6= 6,6X24X2 6593 ZB	0
66	024.364	ELASTIC PIN D. 8X45 6873 NE	0
67	10037722	WELD ASSY PINION Z=32	0
68	10037688	COVER PLATE CONTINUOUS GEAR TRANSMISSION	0
69	10037720	PINION Z= 14 1/2"X3/16" X DIN 8180	0
70	024.364	ELASTIC PIN D. 8X45 6873 NE	0
71	10027470	TIGHTENER SPRING ZB	0
72	10037744	WELD ASSY GEAR TENSIONER	0
73	020.083	SCREW TTQST M 6X25 4.6 5731 ZB	0
74	020.007	SCREW TE M 6X45 8.8 5739 ZB	0
75	10037744	WELD ASSY GEAR TENSIONER	0
76	028.306	RING "PS" 16X22X1 DIN 988	0
77	028.100	RETAIN RING D15 UNI7435	0
78	021.115	SELF-LOCKING NUT M6 7473 ZB	0
79	10037690	MAIN CHAIN 107 L+ ISO 083	0
80	10037740	WELD ASSY PINION Z=36	0

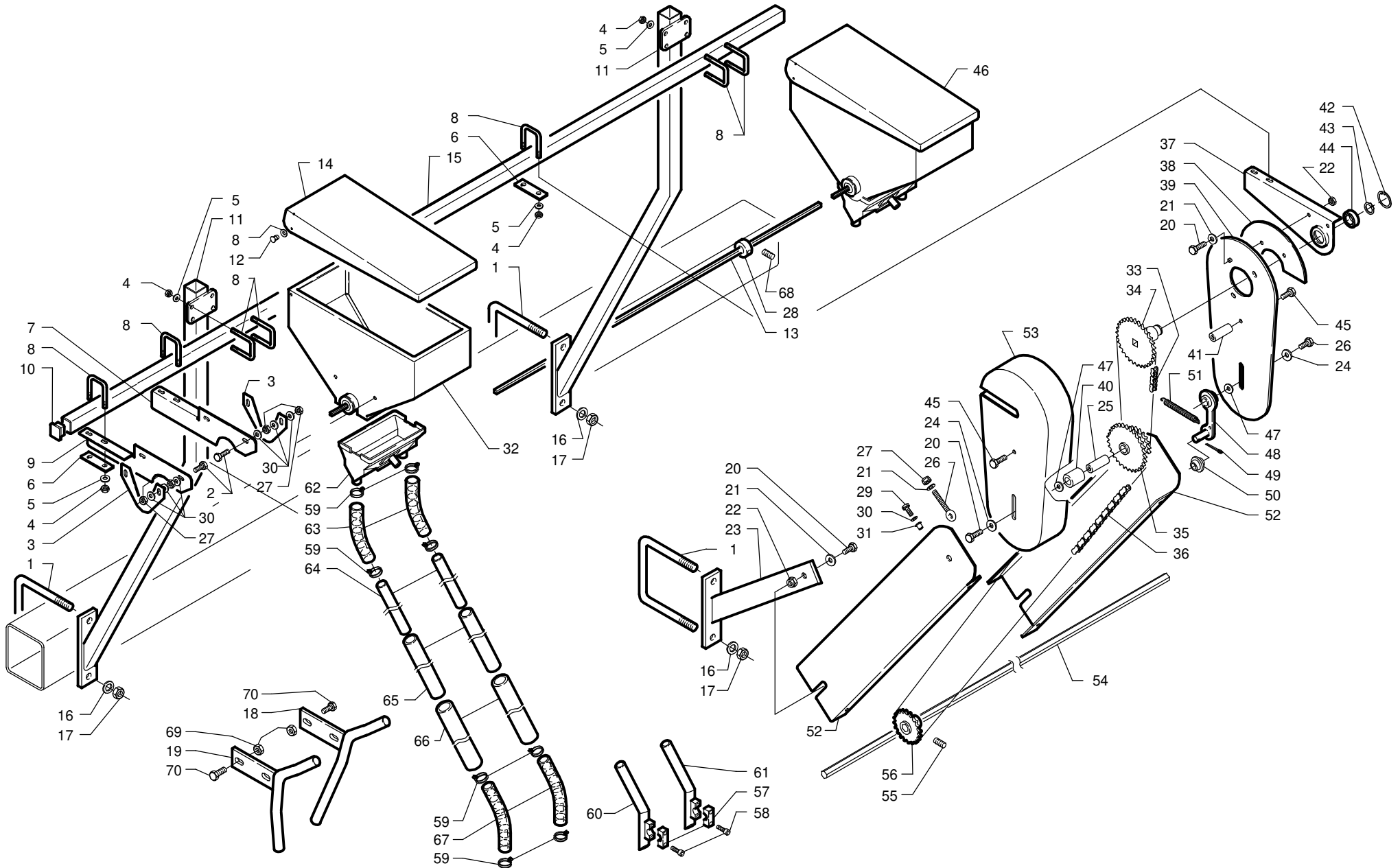
S.N.



S.N.

Pos.	Code	Description	Quantity
81	10011025	SCREW WITH STEADY RESET HEAD M14 D.320A	0
82	023.010	FLAT WASHER M6=6,3X12X1,6 6592 ZB	0
83	020.011	SCREW TE M 6X16 8.8 5739 ZB	0
84	020.049	SCREW TE M 8X40 8.8 5737 ZB	0
85	020.061	SCREW TE M 8X90 8.8 5737 ZB	0
86	021.003	NUT E 6S M 8 5588 ZB	0

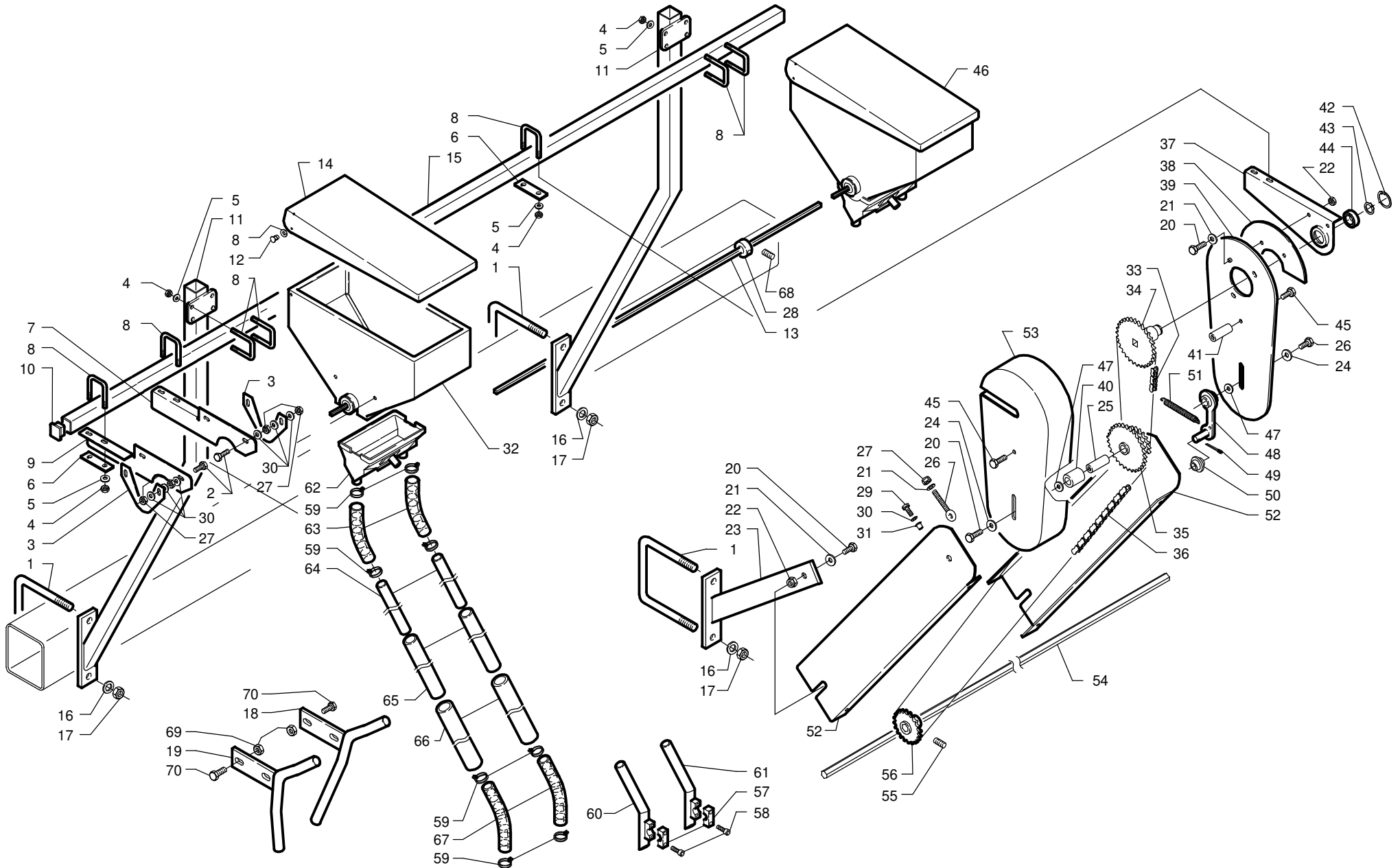
S.N.



S.N.

Pos.	Code	Description	Quantity
1	10000250	U-BOLT M14 ZB	0
2	020.052	SCREW TE M 8X25 8.8 5739 ZB	0
3	10018524	SUPPORT SUSPENDER MICRO ZB	0
4	021.027	NUT E 6S M 6 5587 ZB	0
5	023.030	FLAT WASHER M10=10,5X20X2 6592 ZB	0
6	10008260	CHECKING PLATE ZB	0
7	10018520	CONNECTION BRACKET RIGHT MICRO TANK	0
8	10007461	U-BOLT M10 ZB	0
9	10018521	CONNECTION BRACKET LEFT TANK MICRO	0
10	096.140	PIPE CAP 40X40 (COLORE NERO)	0
11	30008510	WELD ASSY MICRO CONNECTION	0
12	029.001	TEAR RIVET UNI9200-A-4-9-P-ALMG5	0
13	10018544	BAR 10X10 L=1200 ZB	0
13	10018546	BAR 10X10 L=1650	0
13	10018548	BAR 10X10 L=1800 ZB	0
13	10018550	BAR 10X10 L02100 ZB	0
13	10018552	BAR 10X10 L=2550 ZB	0
13	10018554	BAR 10X10 L=3000 ZB	0
13	10018556	ROD 10X10 L=3300 ZB	0
13	10018558	BAR 10X10 L=4800	0
14	10018452	TANK COVER MICROGR. INOX 12DCM	0
15	10008530	MICRO SUPPORT PIPE L=2400	0
15	10008532	SUPPORT TUBE FOR MICROGRAN. L=1600	0
15	10008534	MICRO TUBE SUPPORT L03000	0
15	10008535	SUPPORT TUBE FOR MICROGRAN. L=3100	0
15	10008540	PIPE SUPPORT FOR MICRO L=3800	0
15	10008545	SUPPORT TUBE FOR MICROGRAN. L=5400	0
16	023.035	FLAT WASHER M14=15X28X2,5 6592 ZB	0
17	021.120	SELF-LOCKING NUT M14 7473 ZB	0
18	30031193	WELD ASSY TUBE FOR MICRO FALLIGN LEFT	0
19	30031192	WELD ASSY TUBE FOR MICRO FALLING RIGHT	0
20	020.051	SCREW TE M 8X20 8.8 5739 ZB	0
21	023.020	FLAT WASHER M8=8,4X16X1,6 6592 ZB	0
22	021.102	SELF-LOCKING NUT M 8 7474 ZB	0
23	10028238	WELD ASSY COVER PLATE BRACKET	0
24	023.019	FLAT WASHER M8=9X32X2,5 6593 ZB	0
25	10028227	RIM SUPPORT SHAFT RINV. ZB	0
26	022.130	TIE-ROD M8 L=60 6058 ZB	0
27	021.003	NUT E 6S M 8 5588 ZB	0
28	10018536	RING NUT FOR FIXING ARM D.25X14X10 ZB	0

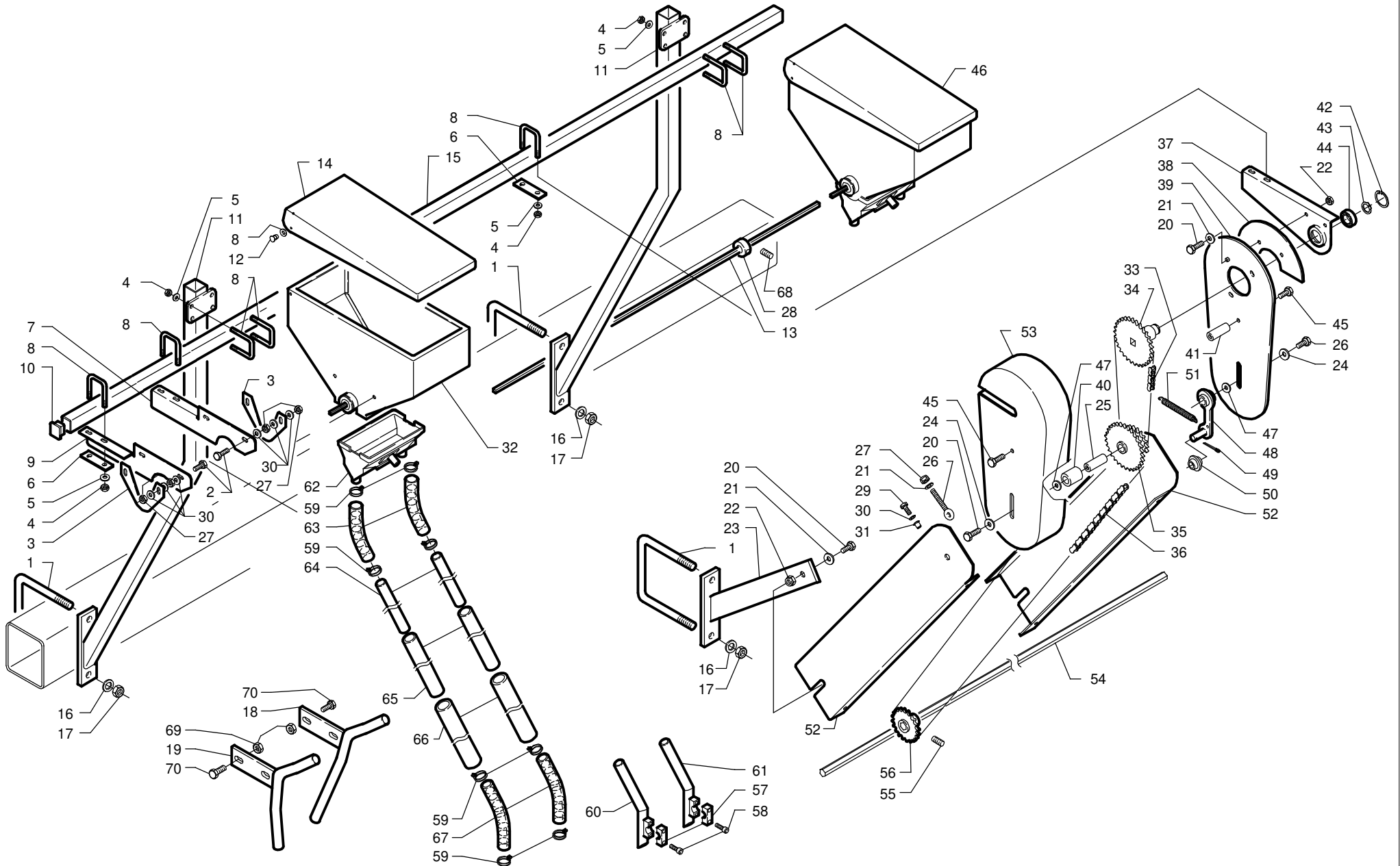
S.N.



S.N.

Pos.	Code	Description	Quantity
29	020.011	SCREW TE M 6X16 8.8 5739 ZB	0
30	023.010	FLAT WASHER M6=6,3X12X1,6 6592 ZB	0
31	023.860	THREADED RIVET M6 FTT-C	0
32	10018451	MICROGRANULATOR TANK INOX 12DCM	0
33	10028228	CHAIN 1/2"X5/16" 69 LINKS + JOINT	0
34	10018245	UPPER PINION SET ZB	0
35	10028217	RETURN. RIM. 1/2"- 5/16 Z=12 Z=30 I45 ZB	0
35	10028218	RETURN. RIM1/2"X5/16"Z=20Z=30I.75 ZB	0
36	10028216	CHAIN 1/2"X5/16" 179 LINKS + JOINT	0
37	10008241	WELD ASSY TRANSMISSION SUPPORT SUPPORT	0
38	10028231	CHAIN PROTECTION STEADY REST	0
39	10028237	MICRO RETURN SUPPORT SHEET VER	0
40	10001009	SINTERED BUSHING	0
41	10028222	COVER PLATE SUPPORT COLUMN ZB	0
42	028.010	SEEGER RING INT. D. 55 7437/472	0
43	028.112	SEEGER RING EXT. D.35 7435/471	0
44	050.102	BEARING 61907-2RS1	0
45	020.009	SCREW TE M 6X12 8.8 5739 ZB	0
46	10018450	MICROGRANULATOR MICROVOLUMEX INOX 12DMC	0
46	10018460	MICROGRANULATOR MOCROVOLUMEX 27L	0
47	023.070	FLAT WASHER M18 ISO 7089 ZB	0
48	10028233	WELD ASSY CHAIN TIGHTENER MICRO ZB	0
49	024.209	COVER D. 2.5X25 ZB 1336	0
50	096925	CHAIN TIGHTENER ROLLER NYLON	0
51	056.100	DRIVE SPRING (2X15X75) ZB	0
52	10028220	LOWER COVER PLATE CHAIN MICROGRANULATOR	0
53	10028230	MICRO RETURN COVER PLATE	0
54	10002318	TRASMISSION HEXAGON 1800 ZB	0
54	10002320	TRASMISSION HEXAGON 2000 ZB	0
54	10002325	TRASMISSION HEXAGON 2500 ZB	0
54	10002331	TRASMISSION HEXAGON 3190 ZB	0
54	10002332	TRASMISSION HEXAGON 3250 ZB	0
54	10002335	TRASMISSION HEZAGON 3500 ZB	0
54	10002340	TRASMISSION HEXAGON 4000 ZB	0
54	10002342	TRASMISSION HEXAGON 4200 ZB	0
54	10002355	TRASMISSION HEXAGON 5500 ZB	0
55	026.107	GRAIN CE 12.9 M8X12 5923 ZB	0
56	10017250	WELD ASSY PINION INF. ZB Z=12 1/2X5/16	0
57	10008496	UPPER BLOCK ZB	0
58	020.971	SCREW TCI M 6X20 4.8 6107 ZB	0

S.N.



S.N.

Pos.	Code	Description	Quantity
59	025.001	SERFLEX CLAMP D.14-24	0
60	10008493	WELD ASSY LEFT PIPE	0
61	10008492	WELD ASSY RIGHT PIPE	0
62	10018453	DISTRIBUTOR MICROGRAN.MICORVOLUMEX	0
63	10028325	TUBE LACED DI.16 L=320	0
64	10028326	RIGID TUBE TEL D.25X1 I=500	0
65	10028327	RIGID TUBE TEL.D.20X1 L=500	0
66	10028312	RIGID TUBE TEL. D.16X1 L=490	0
67	10028314	SPIRAL TUBE DI.18 L=440	0
67	10028329	SPIRAL TUBE DI.18 L=260	0
68	026.104	GRAIN CE 12.9 M 6X20 5927	0
69	021.114	SELF-LOCKING NUT M8 7473 ZB	0
70	020.060	SCREW TE M 8X70 8.8 5737 ZB	0

S.N.



MASCAR S.p.A.

Via Roma, 82 - 36040 Grumolo delle Abbadesse (Vicenza) Italy

Tel +39 0444 380180 - Fax +39 0444 583831 - 380185

E-mail : info@mascar.it