

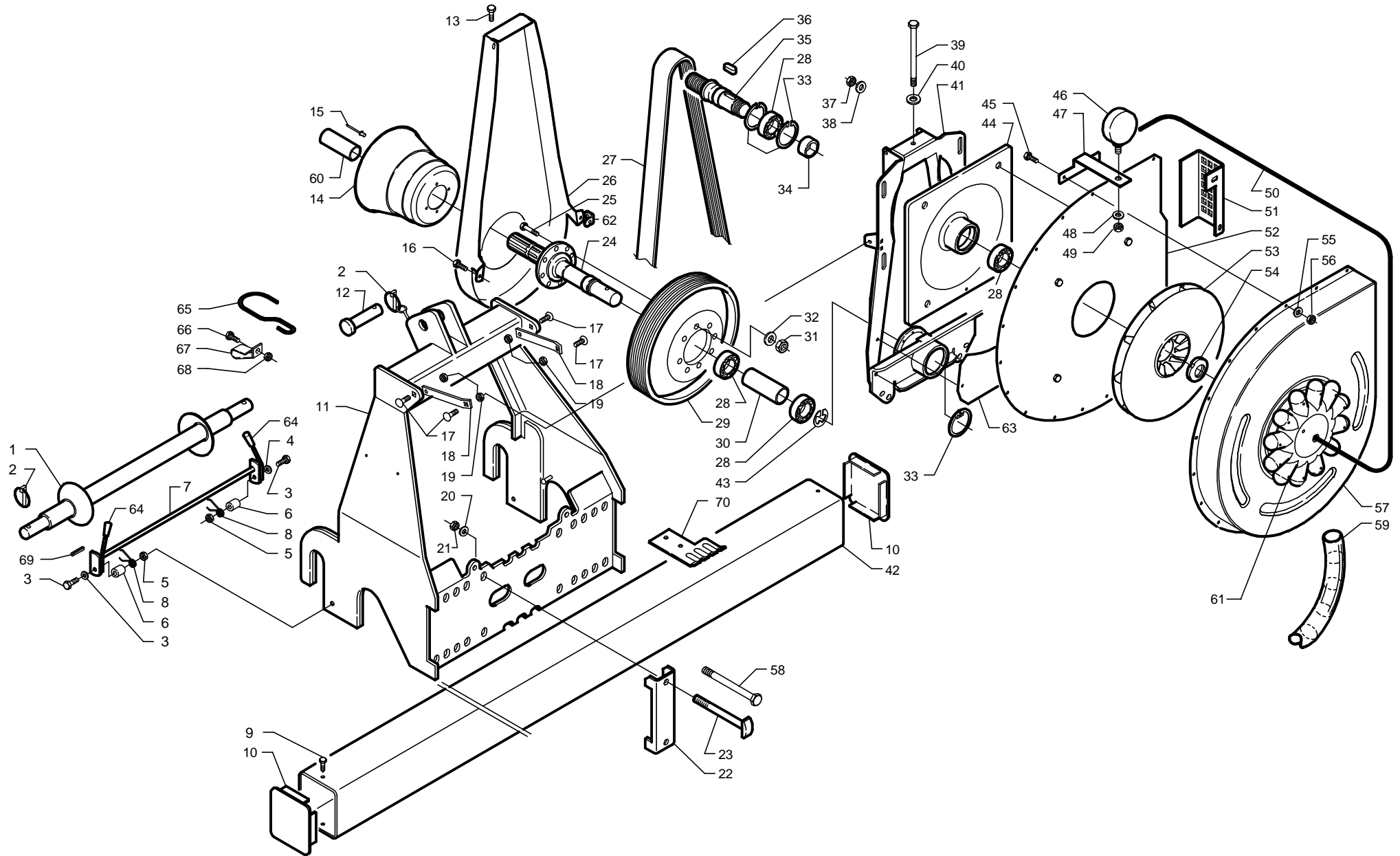
MASCAR



Spare parts catalogue



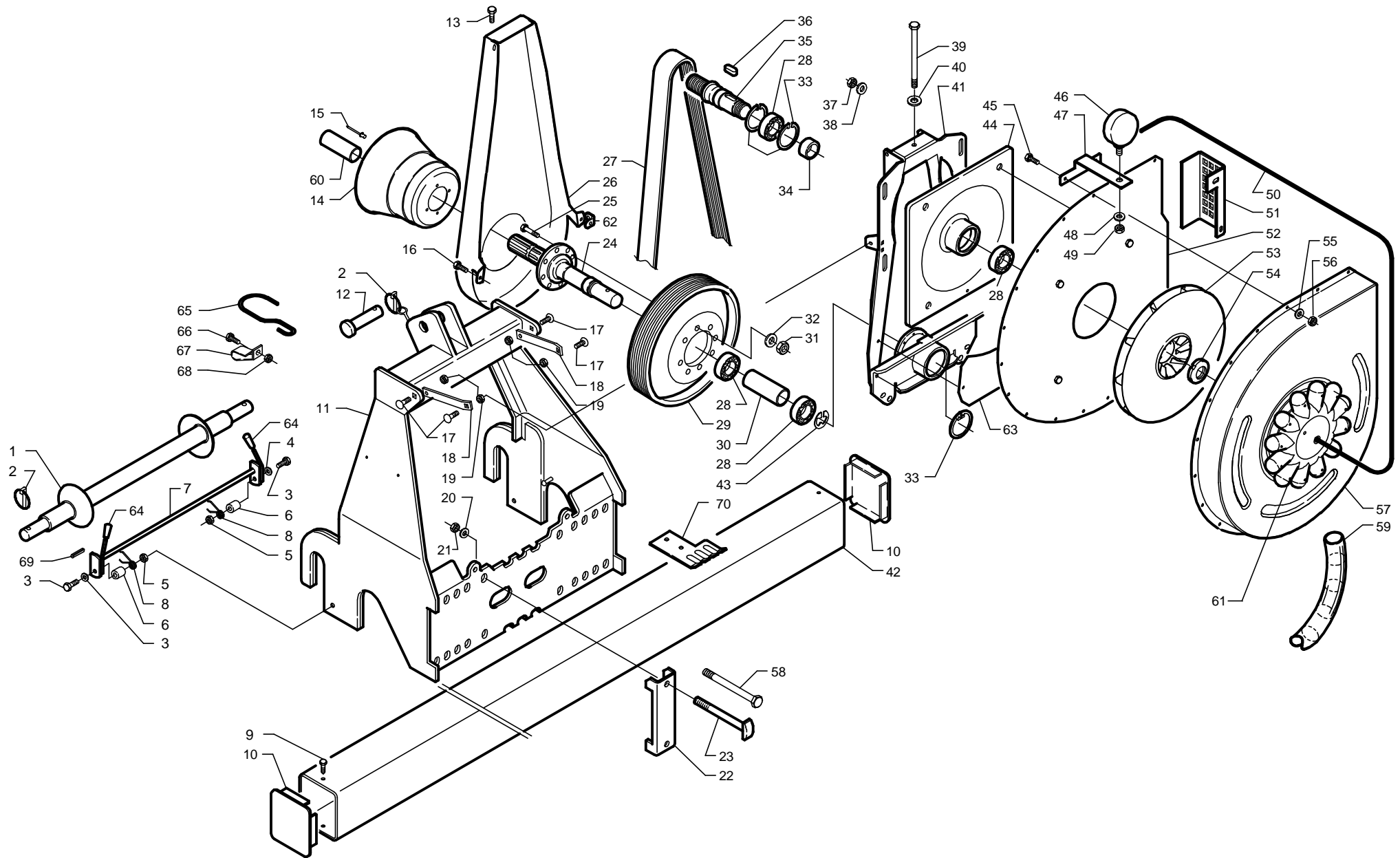
Precision planter **FUTURA 3 - MAXI 3**



S.N.

Pos.	Code	Description	Quantity
1	10030315	COMP.S. MOUNTING 1°E2°POINT VER	0
2	024.011	CLICK PIN D.10 B=60 ZG	0
3	020.157	SCREW TE M12X 55 8.8 5737 ZB	0
4	023.040	FLAT WASHER M12=13 X24X2,5 6592 ZB	0
5	021.113	SELFBLOCKING NUT M 12 7473 ZB	0
6	10030319	SPACER ZB	0
7	10030311	COMP.S. CLOSING LEVER 1° E 2°POINT	0
8	10030318	SPRING ZBD	0
9	020.810	SCREW AUT.D.6,3X 32 8117 ZB	0
10	095.075	PIPE CAP Q.150X150 S.5-8 POL. BLACK	0
11	10030300	COMP.S. THIRD POINT 2.A CAT. VER	0
12	10000350	3. POINT PIN L=113 ZB	0
13	020510	SCREW TSPEI 10.9 M 12X30	0
14	095.017	P.T.O. SHAFT PROTECTION BONDIOLI 21902CE	0
15	029.002	RIVET ALLUMINIUM D 4X15	0
16	020.013	TE M6x25 8.8 ISO 4017 ZB SCREW	0
17	020.602	SCREW TTQST M 8X 30 4.6 5731 ZB	0
18	10033112	TURBIN CONNECTION PLATE	0
19	021.114	SELFBLOCKING NUT M 8 7473 ZB	0
20	023.612	FLAT WASHER M16=17 X45X6 D6340 ZB	0
21	021.123	SELFBLOCKING NUT M 14 7473 ZB	0
22	10017102	FRONT LINKAGE	0
23	10030330	SCREW TE M16X220 12.9 5737 ZB	0
24	10023220	P.T.O. SHAFT	0
25	020.011	SCREW TE M6X16 8.8 5739 ZB	0
26	10033115	COMP.S. PROTECTION CASING VM	0
27	031.032	BELT POLY-V 575 J 16 SV 1461	0
27	031.034	BELT POLY-V J 16 1244	0
28	050.111	BEARING 6306-2RS C3 (1° QUALITY)	0
29	10023230	DRIVING PULLEU D.288 X 42 (540) CL	0
29	10023231	PULLEY D.156 X42 (1000)	0
30	10023221	SHAFT SPACER PTO ZB	0
31	021.115	SELFBLOCKING NUT M 6 7473 ZB	0
32	023.010	FLAT WASCHER M6=6,3X12X1,6 6592 ZB	0
33	028.022	SEEGER RING I D. 72 7437/742	0
34	10023345	ROTATING SHAFT SPACER 38X16,5 ZB	0
35	10023340	ROTATING SHAFT	0
36	027.199	GROOVE-AND-TONGUE JOINT 8X7X25 6604/A	0
37	021.120	SELFBLOCKING NUT M 14 7473 ZB	0
38	023.610	FLAT WASHER M14=15X40X5 D6340 ZB	0

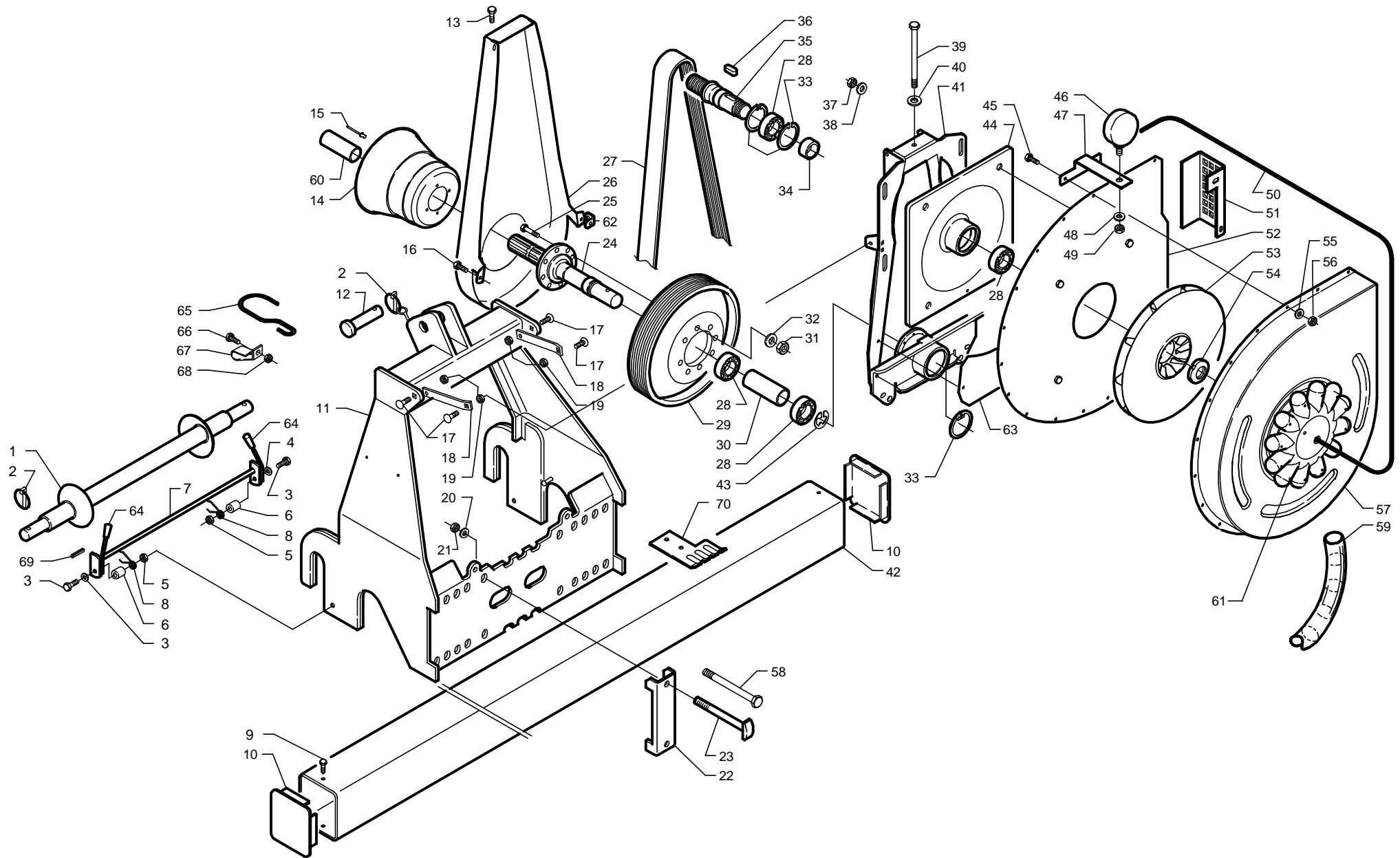
S.N.



S.N.

Pos.	Code	Description	Quantity
39	020.125	SCREW TE M 10X30 8.8 5737 ZB	0
40	023.035	FLAT WASHER M14=15 X28X2,5 6592 ZB	0
41	10033101	COMP.S. TURBINE SUPPORT VIR	0
42	10000118		0
42	10000125	FRAME TUBE 2500 VIR	0
42	10000128		0
42	10000130	FRAME TUBE 3000 VM	0
42	10000132		0
42	10000135		0
42	10000140	FRAME TUBE 4000 VM	0
42	10000142		0
42	10000145		0
42	10000155	FRAME TUBE 5500 (VE.CL)	0
42	10000160	FRAME TUBE 6000 (VE.CL)	0
42	10000165		0
43	028.110	SEEGER RING E D. 30 7435/471	0
44	10023330	SOLDERED COMP. PLATE FAN SUPPORT VIR	0
45	020.011	SCREW TE M6X16 8.8 5739 ZB	0
46	080.015	VACUOMETRO PICCOLO TIPO A (DN)63	0
47	10003350	VACUOMETER SUPPORT	0
48	023.045	FLAT WASHER M16=17X30X3 6592 ZB	0
49	021.007	NUT E 6S M 16 5588 ZB	0
50	10003360	COMP.M.VACUOMETER TUBE L0450MM	0
51	10003365	PROTECTION	0
52	10003310	COMP.S. ASS. TURBINE COVER	0
53	10003320	COMP.S.FAN SET	0
54	021.246	SELFBLOCKING RING NUT M25X1,5 GUK ZG	0
55	023.010	FLAT WASHER M6=6,3X12X1,6 6592 ZB	0
56	021.115	SELFBLOCKING NUT M 6 7473 ZB	0
57	10003316	BLOWER REAR SHELL VIR	0
58	10030330	SCREW TE M16X220 12.9 5737 ZB	0
59	083.601	PIPE WIND WITH SPIRAL PVC DI.40	0
60	096.240	PLASTIC COVER FOR P.F. 1 3/8"	0
61	10003376	CONVEYOR 12 EXITS PERFORATED (PLASTICA)	0
62	10023118		0
63	10033120	CASING VER	0
64	095.250	PLUG DI.12	0
65	10040401	P.T.O. SHAFT CONNECT.HOOK	0
66	020.051	SCREW TE M 8X20 8.8 5739 ZB	0
67	10040402	HOOK CONNECTION SHEET ZB	0

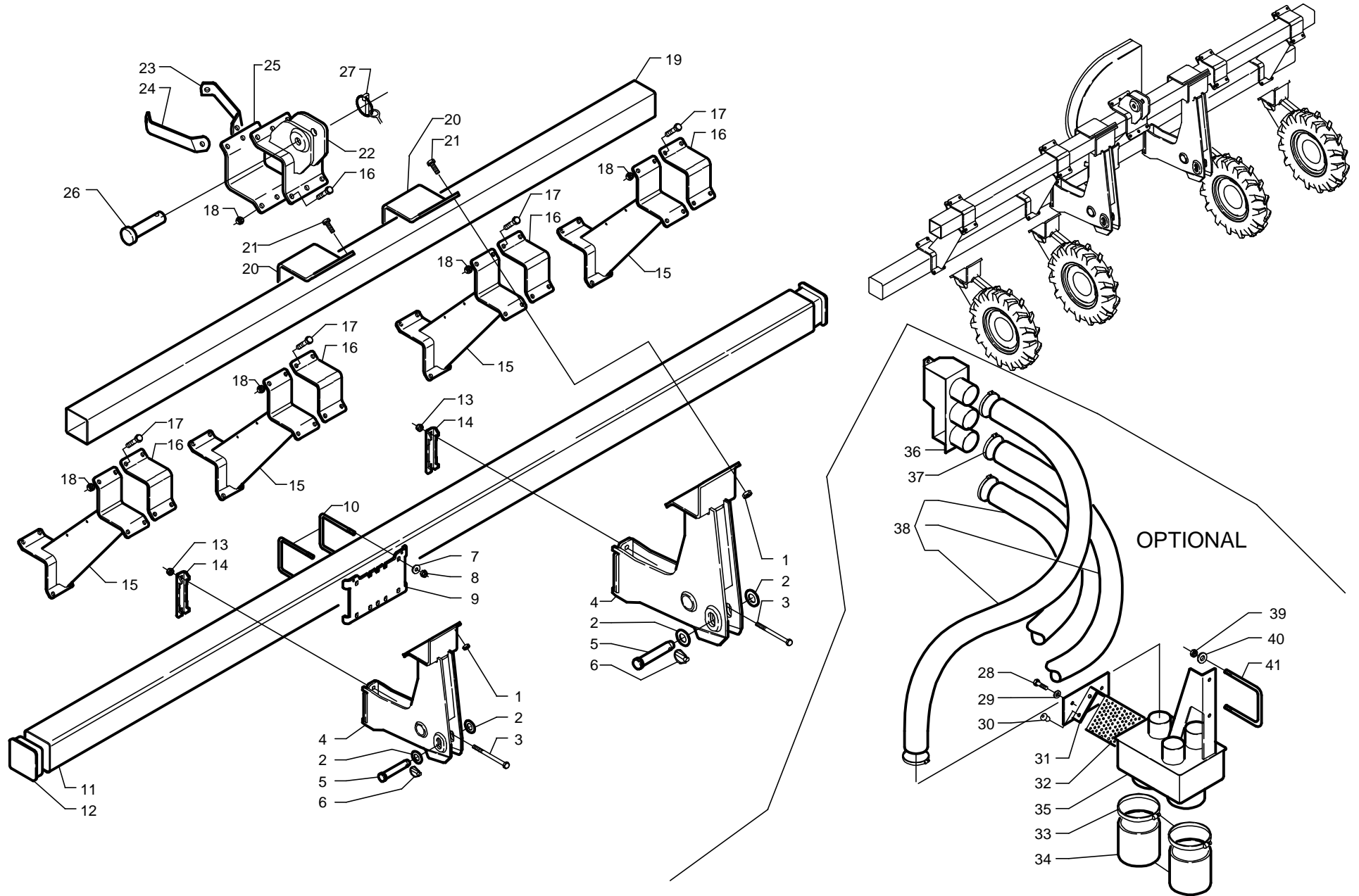
S.N.



S.N.

Pos.	Code	Description	Quantity
68	021.114	SELFBLOCKING NUT M 8 7473 ZB	0
69	024.395	ELASTIC PIN D. 10X60 6873 NE	0
70	10040400	TUBES SUPPORT ZB	0

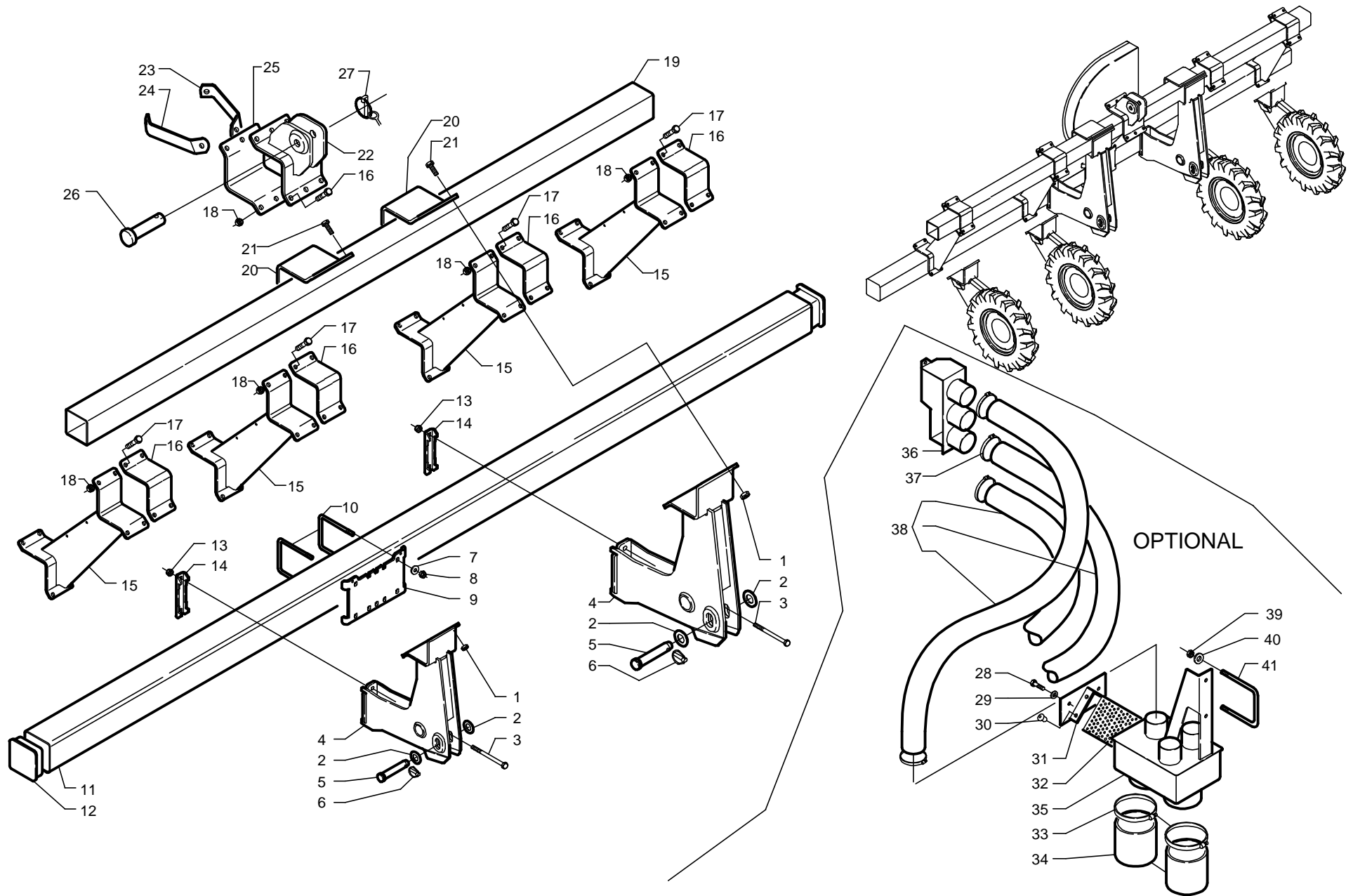
S.N.



S.N.

Pos.	Code	Description	Quantity
1	021.120	SELFBLOCKING NUT M 14 7473 ZB	0
2	023.101	FLAT WASHER M30=31 X56X4 6592 ZB	0
3	10030330	SCREW TE M16X220 12.9 5737 ZB	0
4	10000171		0
5	943.088	PIN 1-2 POINT ZB	0
6	024.011	CLICK PIN D.10 B=60 ZG	0
7	023.026	FLAT WASHER M 14= 15X44X3 6593 ZB	0
8	021.120	SELFBLOCKING NUT M 14 7473 ZB	0
9	10000186		0
10	10000250	U-BOLT M14 ZB	0
11	10000155	FRAME TUBE 5500 (VE.CL)	0
12	095.075	PIPE CAP Q.150X150 S.5-8 POL. BLACK	0
13	021.123	SELFBLOCKING NUT M 14 7473 ZB	0
14	10017102	FRONT LINKAGE	0
15	10000178	COMP.S. SIDE CONNECTION	0
16	10000179	SMALL SIDE STIRRUP	0
17	020.243	SCREW TE M 14X50 8.8 5739 ZB	0
18	021.120	SELFBLOCKING NUT M 14 7473 ZB	0
19	10000187		0
20	10000174		0
21	020.243	SCREW TE M 14X50 8.8 5739 ZB	0
22	10000182		0
23	10000191		0
24	10000192		0
25	10000185		0
26	10000355	3. POINT PIN L = 140 ZB	0
27	024.011	CLICK PIN D.10 B=60 ZG	0
28	020.009	SCREW TE M6X12 8.8 5739 ZB	0
29	023.005	FLAT WASHER M 6= 6,6X18X2 6593 ZB	0
30	029.610	D 6x12 ALUMINIUM RIVET	0
31	10017420		0
32	10017414		0
33	025.626	SMALL BAND S. 110-130 3017 (SX 9C)	0
34	083.604	PHOTOCELLS WITH TUBE FOR MAXI-5 DJ	0,3
35	10017422		0
36	10017384	COMP. S. SNORKEL BLOW 3 U. VIR.	0
37	025.615	SMALL BAND S. 60 - 80 3017 (SX 9C)	0
38	083.602	PIPE SPIRAL	4,5
39	023.035	FLAT WASHER M14=15 X28X2,5 6592 ZB	0
40	021.120	SELFBLOCKING NUT M 14 7473 ZB	0

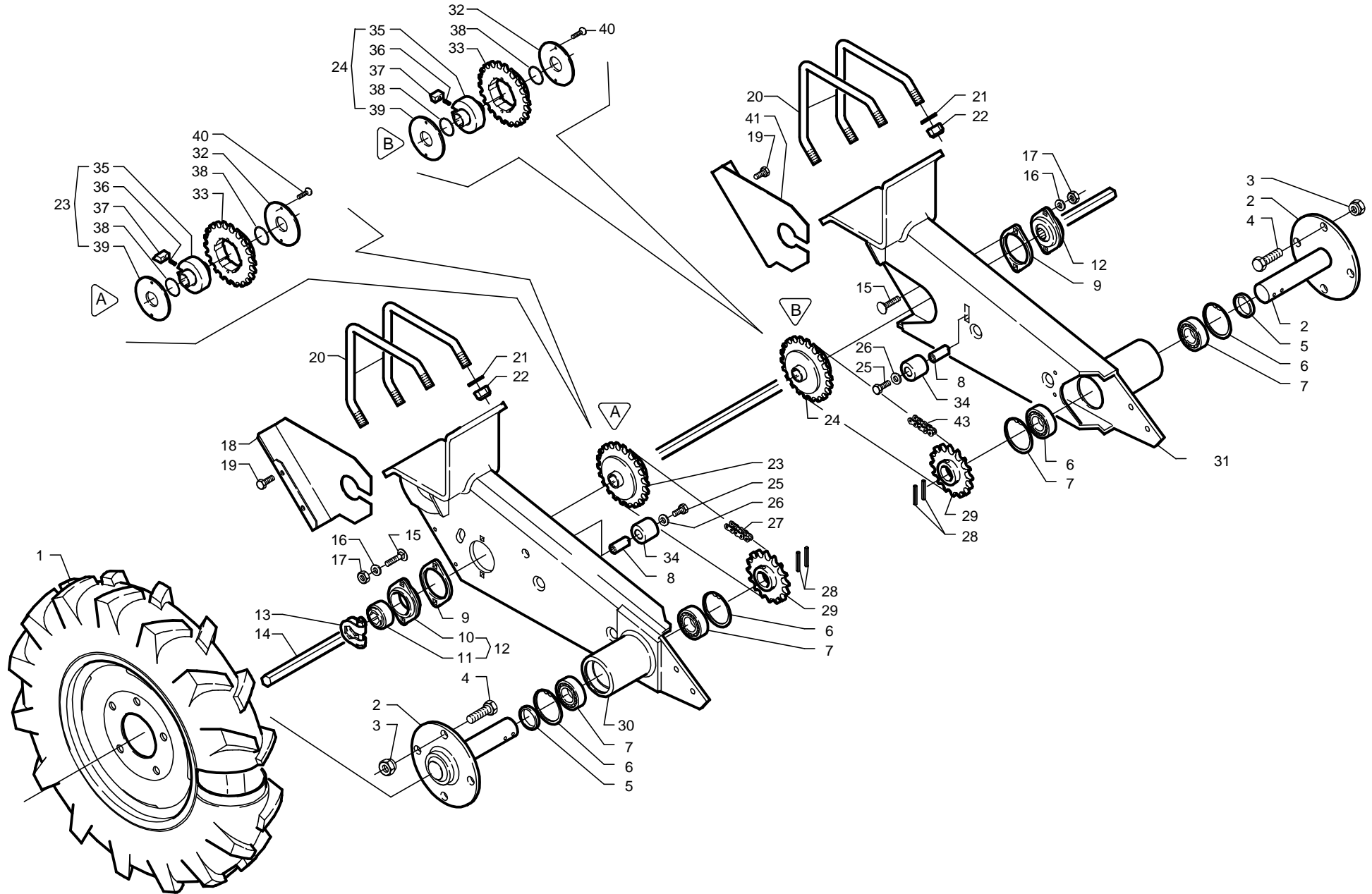
S.N.



S.N.

Pos.	Code	Description	Quantity
41	10000250	U-BOLT M14 ZB	0

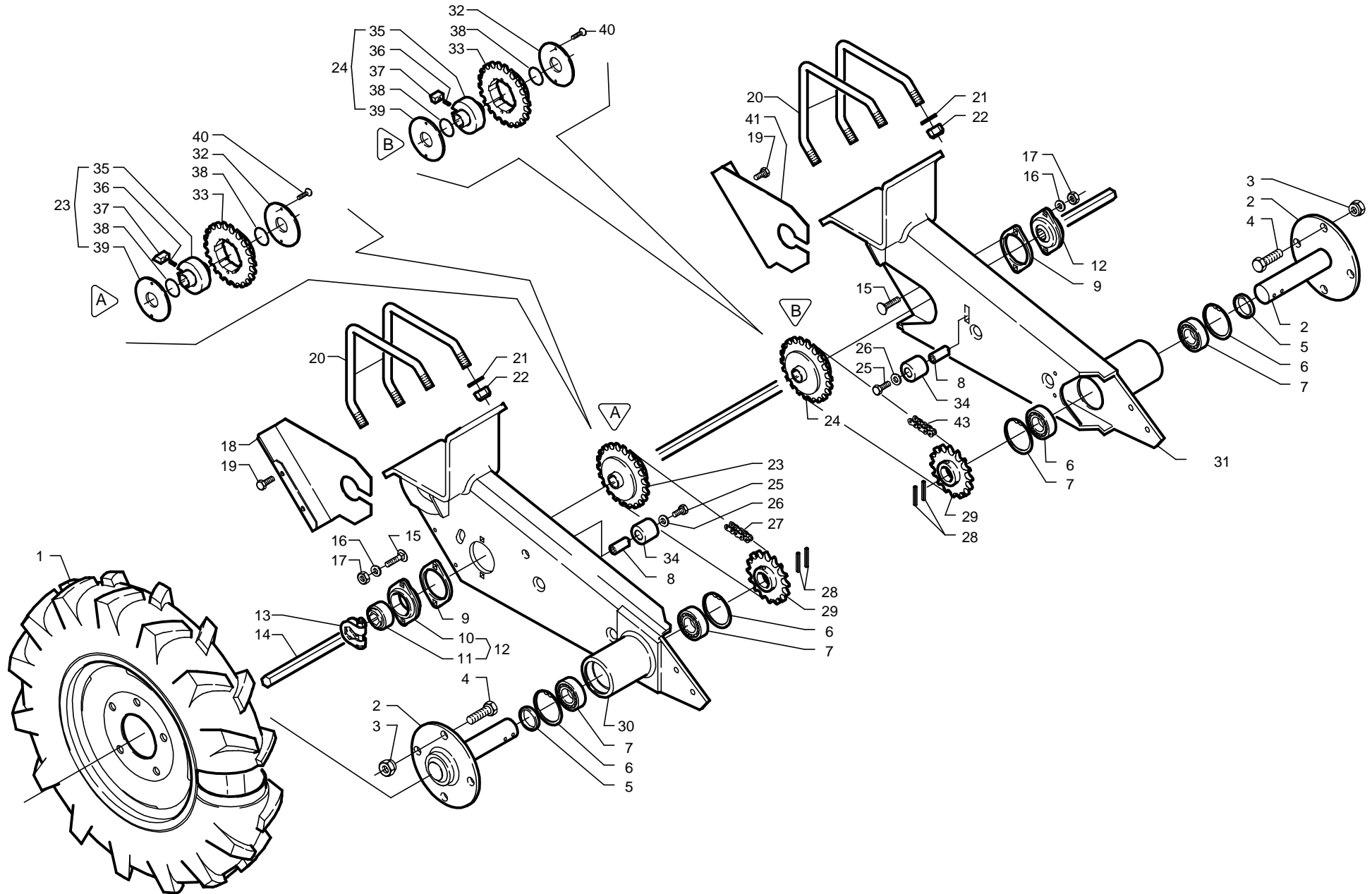
S.N.



S.N.

Pos.	Code	Description	Quantity
1	10022897	WHEEL 6.50-15 DX	0
1	10022898	WHEEL 5.00-15 DX	0
1	10022899	WHEEL 5.00-15 SX	0
1	10022900	WHEEL 6.50-15 SX	0
2	10022880	COMP.S. WHEEL AXLE VIR	0
3	021.241	WHEEL AXLE NUT MB 16X1,5	0
4	020.238	SCREW TE M16X35 8.8 5740 ZB	0
5	10022888	SPACER ZB	0
6	028.015	SEEGER RING I D. 62 7437/472	0
7	050.003	BEARING 6007-2RS	0
8	10022894	CHAIN TIHTENER SHAFT ZB	0
9	10022735	SUPPORT SHIMING FLANGE ZB	0
10	051.051	PLATE FLANGE PFL205	0
11	051.103	SUPPORT 205/19.1 KRRB AH02 XID	0
12	10022730	COMP. M. FLANGE PFL 205 +BEAR. EX.19,1	0
13	10022756		0
14	10002318	TRASMISSION HEXAGON 1800 ZB	0
14	10002320	TRASMISSION HEXAGON 2000 ZB	0
14	10002325	TRASMISSION HEXAGON 2500 ZB	0
14	10002331	TRASMISSION HEXAGON 3190 ZB	0
15	020.601	SCREW TTQST M 8X 25 4.6 5731 ZB	0
16	023.030	FLAT WASHER M10=10,5X20X2 6592 ZB	0
17	021.114	SELFBLOCKING NUT M 8 7473 ZB	0
18	10022901	CASING LF VER	0
19	020.050	SCREW TE M 8X16 8.8 5739 ZB	0
20	10002240	"V"-BOLT M14 (TUBE 160) ZB	0
21	023.035	FLAT WASHER M14=15 X28X2,5 6592 ZB	0
22	021.120	SELFBLOCKING NUT M 14 7473 ZB	0
23	10022940	CMP.M.FREE WHEEL LEFT	0
24	10022942	COMP.M. FREE WHEEL RIGHT	0
25	020.101	SCREW TE M 10X25 8.8 5739 ZB	0
26	023.030	FLAT WASHER M10=10,5X20X2 6592 ZB	0
27	10022892	WHEEL CHAIN 5/8"X3/8" 67P.+M-G.	0
28	024.346	ELASTIC PIN D. 6X50 6873 NE	0
29	10022890	PINION Z016 ZB	0
30	10022865	COMP.S. WHEEL SUPPORT LF VIR	0
31	10022864	COMP. S. WHELL SUPPORT RH VIR	0
32	10022938	CLUTCH INTERN. SIDE ZB	0
33	10022944	WHEEL PINION Z=22 ZB	0
34	10022896	CHAIN TIGHTENER SLIDING BLOCK	0

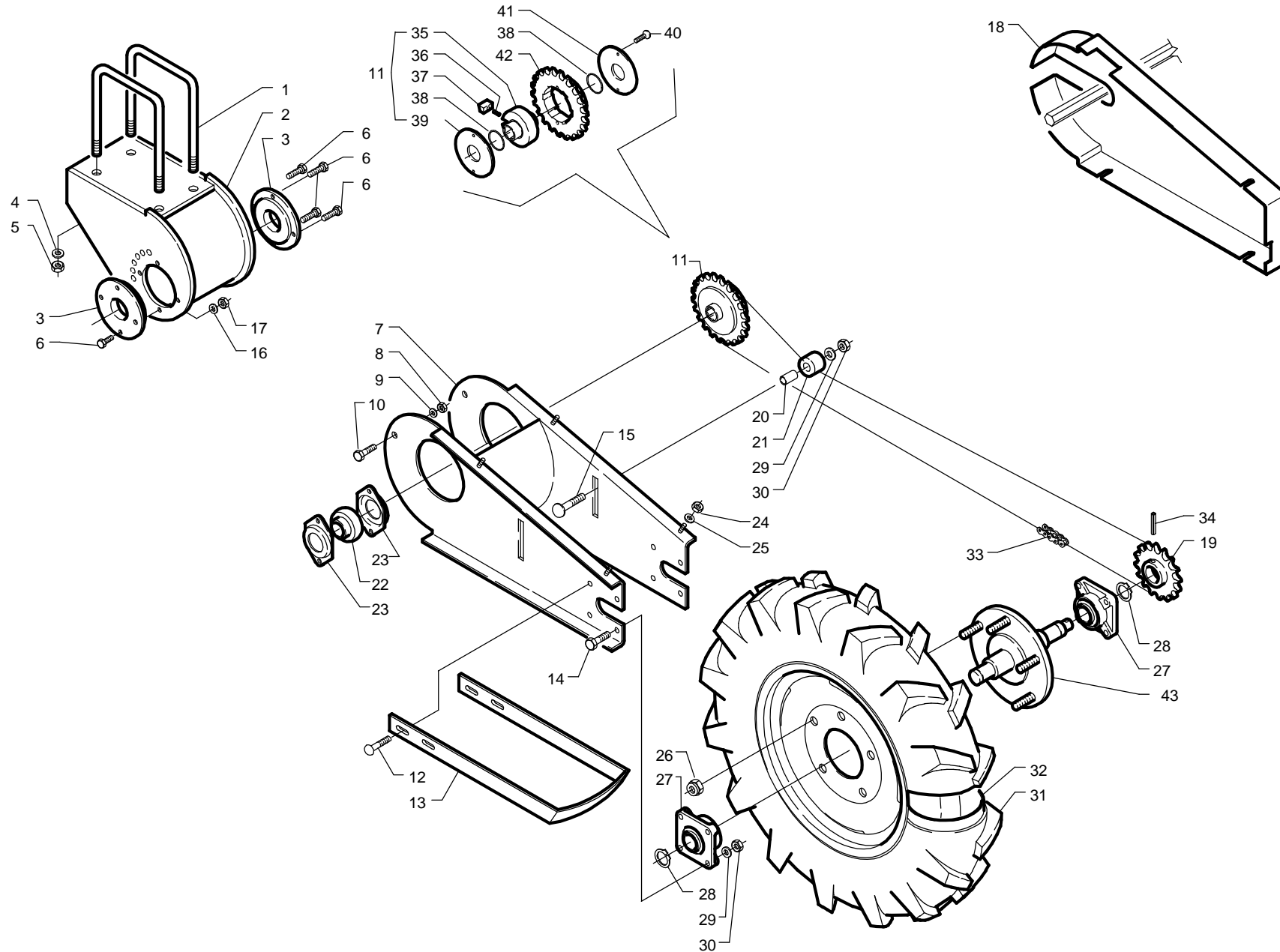
S.N.



S.N.

Pos.	Code	Description	Quantity
35	10022926	HEXAGONAL HUB	0
36	10022932	SPRING ZBD	0
37	10022946	WHEEL CLUTCH ZBD	0
38	046.027	RING OR 0280 DI=28 FILO 1,5	0
39	10022936	CLUTCH EXTERN.SIDE ZB	0
40	020.640	SCREW TSPEI M5X30 10.9 5933 ZB	0
41	10022902	CASING RH VER	0

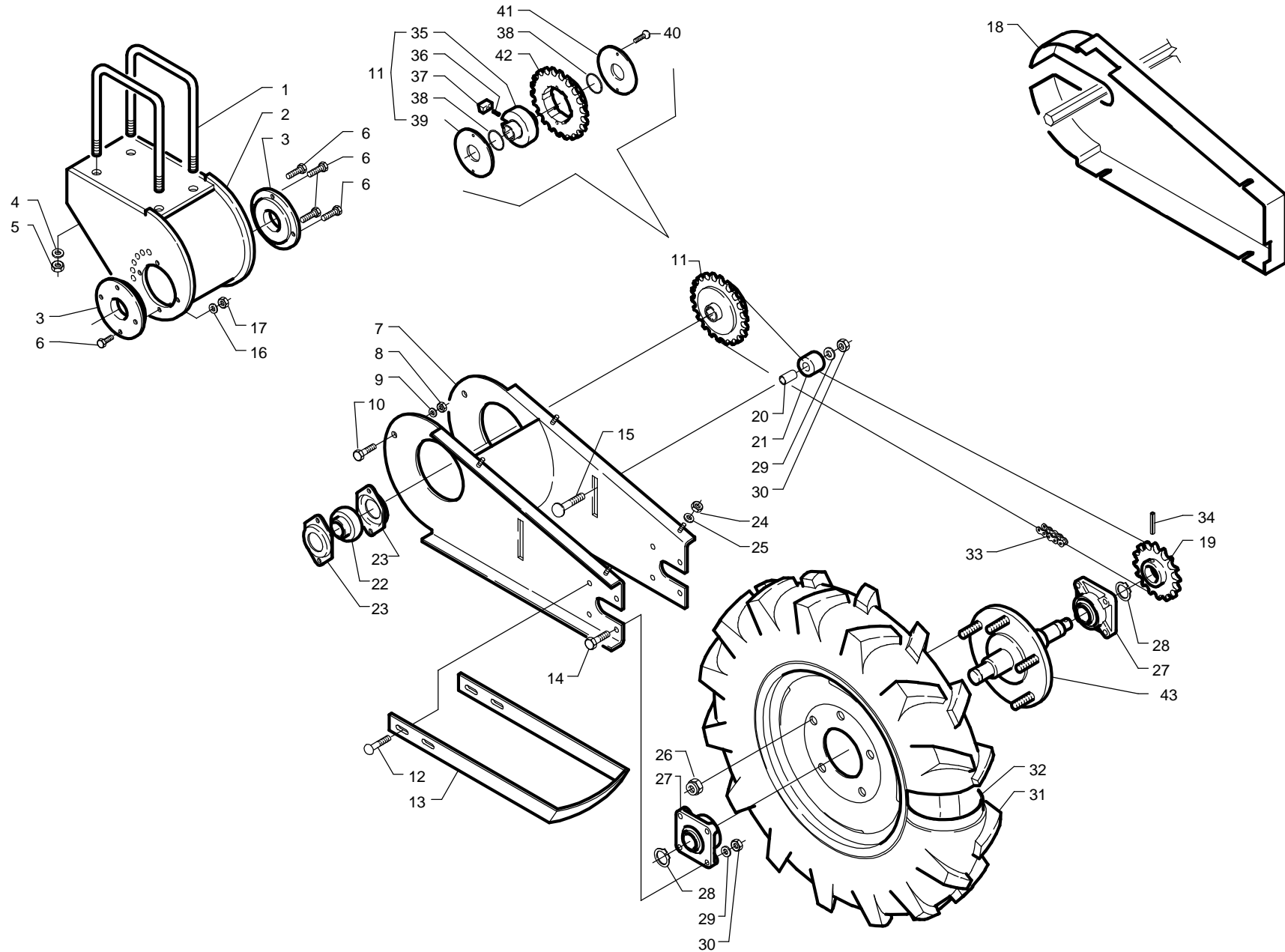
S.N.



S.N.

Pos.	Code	Description	Quantity
1	1000250	U-BOLT M14 ZB	0
2	10002420		0
3	10002430	FLANGE ZB	0
4	023.035	FLAT WASHER M14=15 X28X2,5 6592 ZB	0
5	021.120	SELFBLOCKING NUT M 14 7473 ZB	0
6	020.054	SCREW TE M 8X35 8.8 5739 ZB	0
7	10012410		0
8	021.104	SELFBLOCKING NUT M 12 7474 ZB	0
9	023.040	FLAT WASHER M12=13 X24X2,5 6592 ZB	0
10	020.053	TE M8x30 8.8 ISO 4017 ZB SCREW	0
11	10022940	CMP.M.FREE WHEEL LEFT	0
12	020.607	SCREW TTQST M10X40 4.6 5731 ZB	0
13	10002611		0
14	020.104	SCREW TE M10X 40 8.8 5739 ZB	0
15	020.594	SCREW TTQST M 10X55 4.6 5731 ZB	0
16	023.020	FLAT WASCHER M 8=8,4X16X1,6 6592 ZB	0
17	021.114	SELFBLOCKING NUT M 8 7473 ZB	0
18	10012440	SOLDERED COMPOSITION WHEELS SUPPORT	0
19	10002628	PINION Z= 16 ZB	0
20	10002609	SPACER ZB	0
21	10022896	CHAIN TIGHTENER SLIDING BLOCK	0
22	051.103	SUPPORT 205/19.1 KRRB AH02 XID	0
23	051.051	PLATE FLANGE PFL205	0
24	021.505	KNURLED NUT AND FLANGE M 6 D.6923 ZB	0
25	023.010	FLAT WASCHER M6=6,3X12X1,6 6592 ZB	0
26	021.241	WHEEL AXLE NUT MB 16X1,5	0
27	051.070	SUPPORT UCF 205	0
28	028.108	SEEGER RING E D. 25 7435/471	0
29	023.030	FLAT WASHER M10=10,5X20X2 6592 ZB	0
30	021.112	SELFBLOCKING NUT M 10 7473 ZB	0
31	10022898	WHEEL 5.00-15 DX	0
31	10022899	WHEEL 5.00-15 SX	0
32	031199	COVER 5.00-15 4PR IM110	0
33	10012295	COMP.M.TRANSMISS.CHAIN 75M.5/8"X3/8"	0
34	024.344	ELASTIC PIN D.6X30 6873 NE	0
35	10022926	HEXAGONAL HUB	0
36	10022932	SPRING ZBD	0
37	10022946	WHEEL CLUTCH ZBD	0
38	046.027	RING OR 0280 DI=28 FILO 1,5	0
39	10022936	CLUTCH EXTERN.SIDE ZB	0

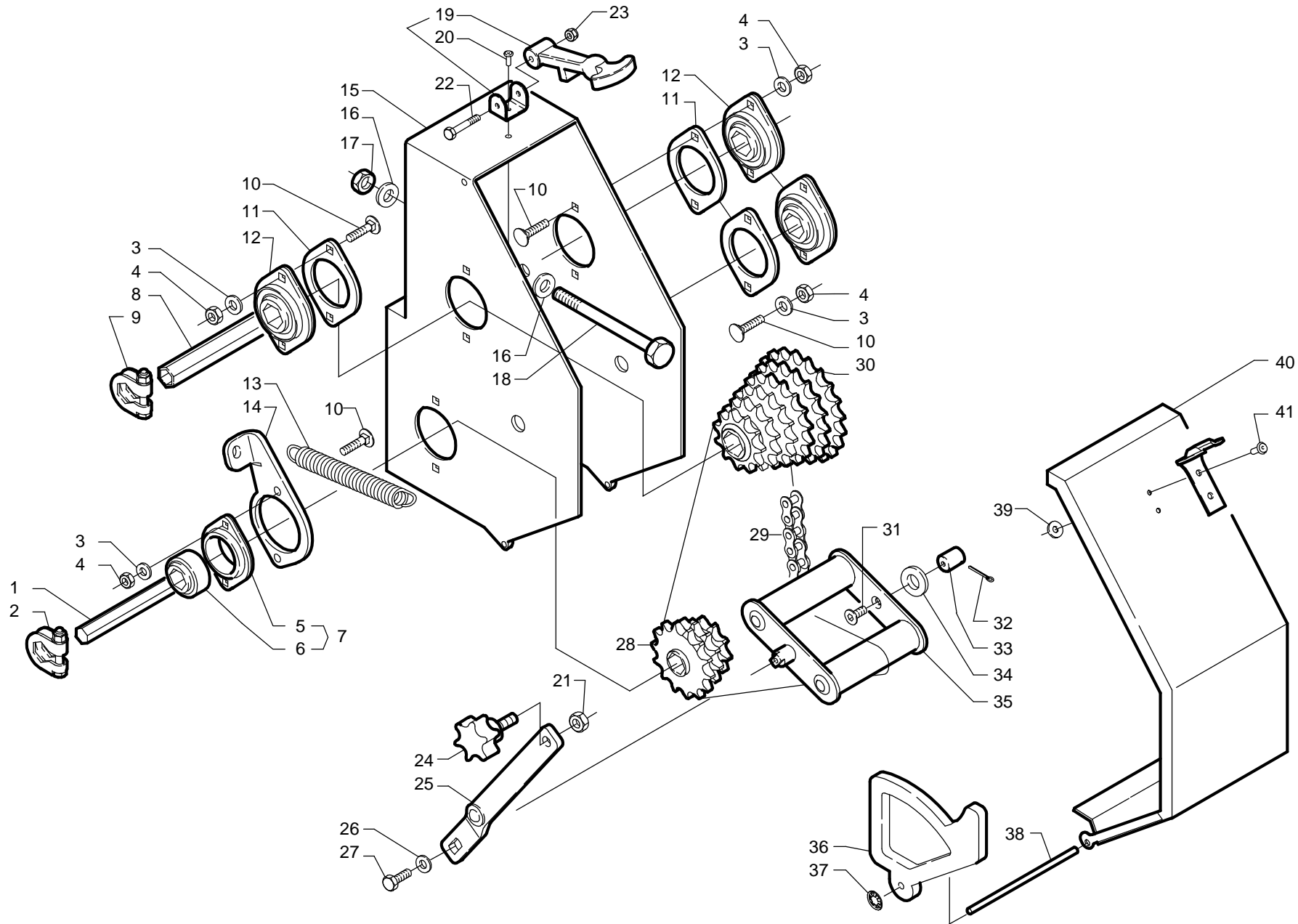
S.N.



S.N.

Pos.	Code	Description	Quantity
40	020.640	SCREW TSPEI M5X30 10.9 5933 ZB	0
41	10022938	CLUTCH INTERN. SIDE ZB	0
42	10022944	WHEEL PINION Z=22 ZB	0
43	10002630	COMP. S. WHEEL HUB VIR	0

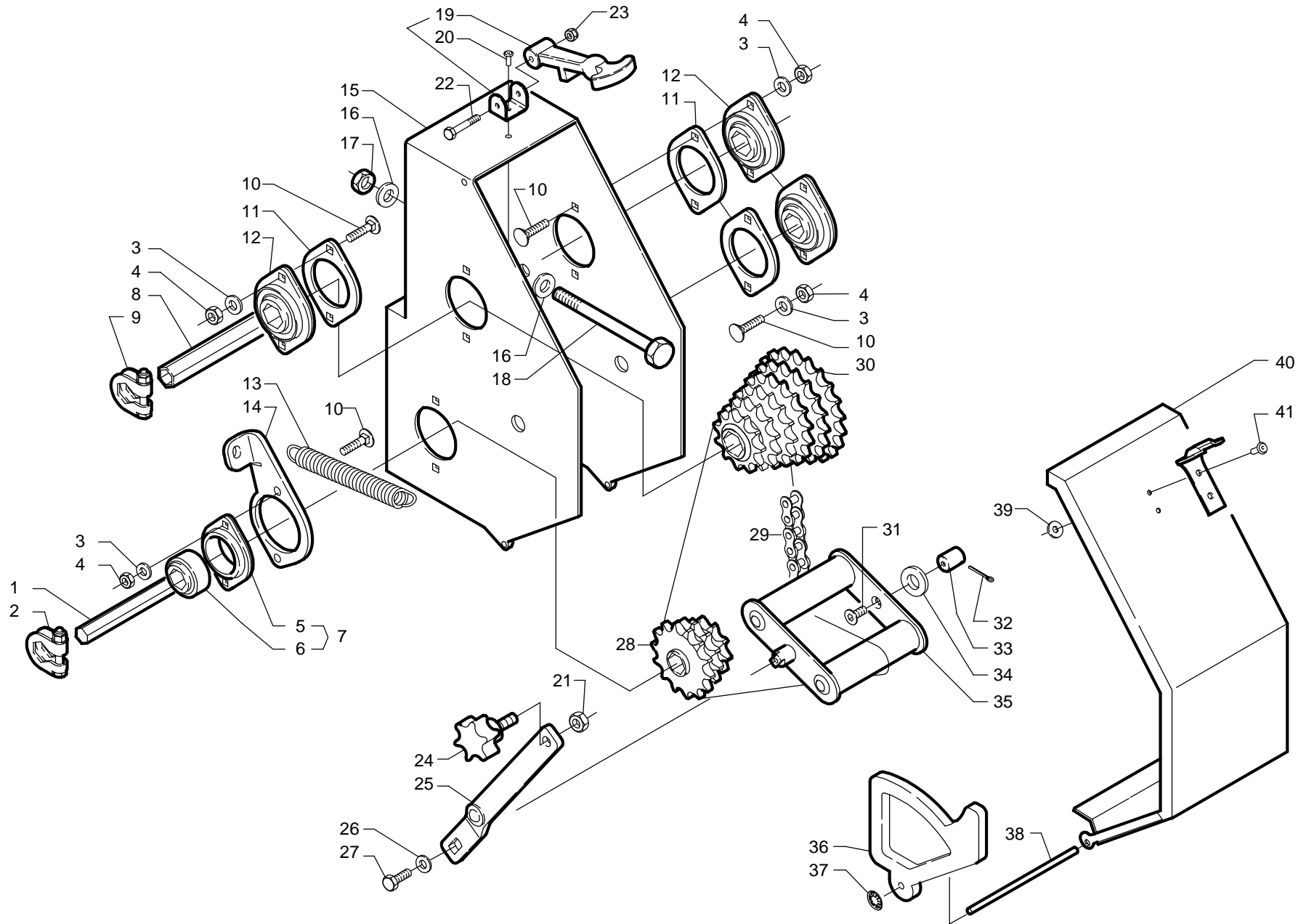
S.N.



S.N.

Pos.	Code	Description	Quantity
1	10022308		0
1	10022344		0
1	10032308		0
1	10032312	EXAGONAL BAR EST. ST ZB	0
2	10022756		0
3	023.020	FLAT WASCHER M 8=8,4X16X1,6 6592 ZB	0
4	021.102	SELFBLOCKING NUT M 8 7474 ZB	0
5	051.051	PLATE FLANGE PFL205	0
6	051.103	SUPPORT 205/19.1 KRRB AH02 XID	0
7	10022730	COMP. M. FLANGE PFL 205 +BEAR. EX.19,1	0
8	10022322	HEXAGONAL TUBE L=2490 ZB	0
8	10022402	HEXAGONAL TUBE L=1790 ZB	0
8	10022408	HEXAGONAL TUBE L= 3240 ZB	0
8	10022412	HEXAGONAL TUBE L=3990 ZB	0
9	10022755		0
10	020.601	SCREW TTQST M 8X 25 4.6 5731 ZB	0
11	10022735	SUPPORT SHIMING FLANGE ZB	0
12	051.100	SUPPORT 205 KRRB AH 02- PFL205	0
13	30031340	SPRING A TRAZIONE 3,2X21X160 ZBD	0
14	10022740		0
15	10012740		0
16	023.035	FLAT WASHER M14=15 X28X2,5 6592 ZB	0
17	021.120	SELFBLOCKING NUT M 14 7473 ZB	0
18	020.213	SCREW TE M14X200 8.8 5737 ZB	0
19	095.095	COMPLETE RUBBER TIE-ROD (GAMM)	0
20	023.829	D 4X12 ALUMINIUM RIVET	0
21	10002714	COMP.S.BUSHING WITH 3 PINIONS ZB	0
22	019.135	SCREW TE M 4X 35 8.8 5739 ZB	0
23	021.099	SELFBLOCKING NUT M 4 7473 ZB	0
24	095.001	HABD WGEEK NAKE M8X15 TECNOPOLIM	0
25	10022738	COMP.S. GEAR CHAIN TIGHTNER LEVER ZB	0
26	023.010	FLAT WASCHER M6=6,3X12X1,6 6592 ZB	0
27	020.010	SCREW TE M 6X10 8.8 5739 ZB	0
28	10002714	COMP.S.BUSHING WITH 3 PINIONS ZB	0
29	10002718	CHAIN 5/8"X3/8" 49 LINKS+JOINT	0
30	10022707	COMP.S. BUSHING WITH 6 PINIONS ZB	0
31	020.656	SCREW TSPEI M 6X 12 10.9 5933 NE	0
32	024.227	COVER D.4 X 30 ZB 1336	0
33	10002701	MOBILE PIN ZB	0
34	023.045	FLAT WASHER M16=17X30X3 6592 ZB	0

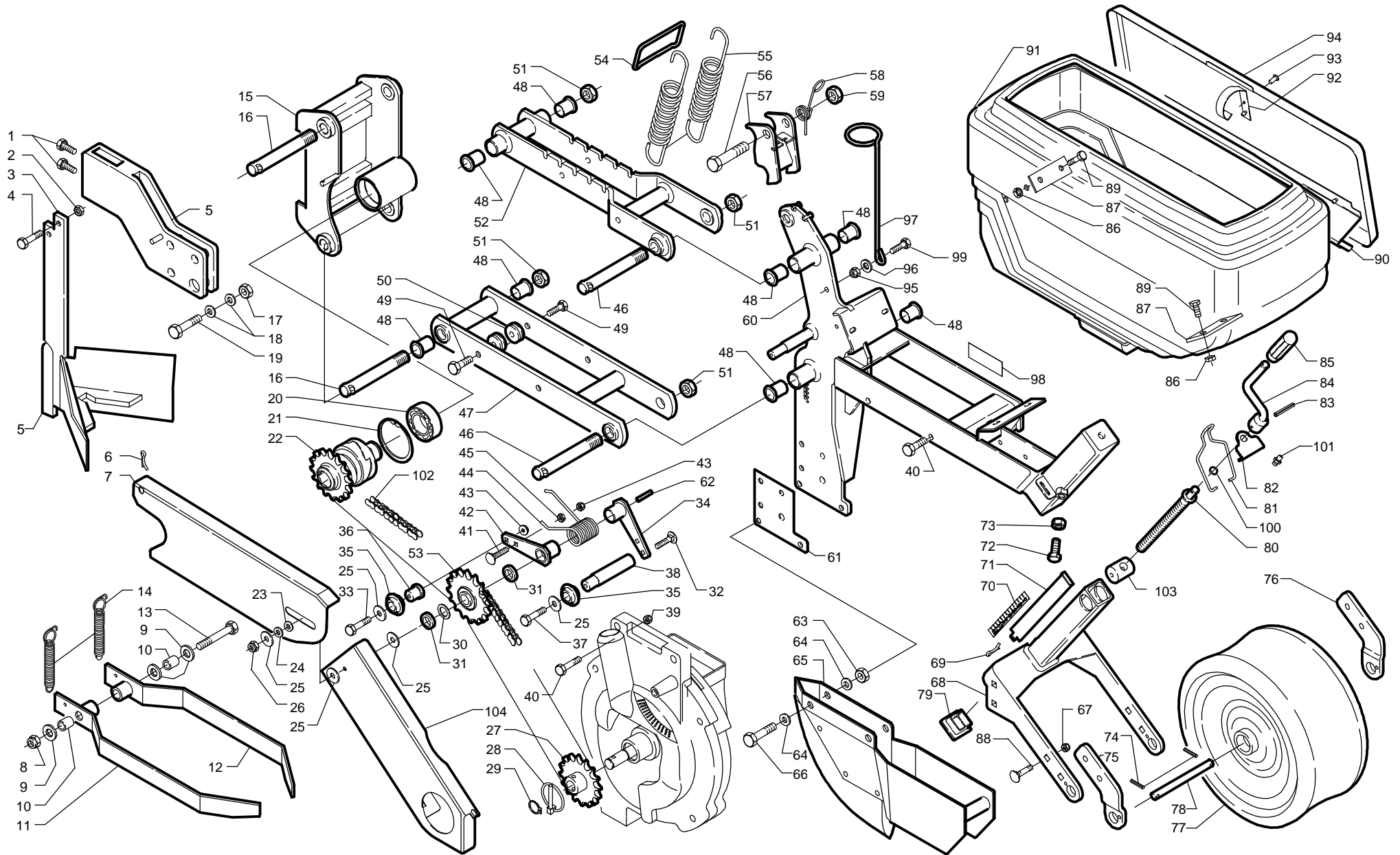
S.N.



S.N.

Pos.	Code	Description	Quantity
35	10002760	COMP.S.ASS.TENDICHAIN CAMBIO VIR	0
36	10022737		0
37	023.756	WASHER EL.SHAFT D.6	0
38	10012726	PIVOT SHAFT	0
39	023.007	FLAT WASHER M 4= 4,3X 9X0,8 6592 ZB	0
40	10012724	COVER BOX	0
41	023.829	D 4X12 ALUMINIUM RIVET	0

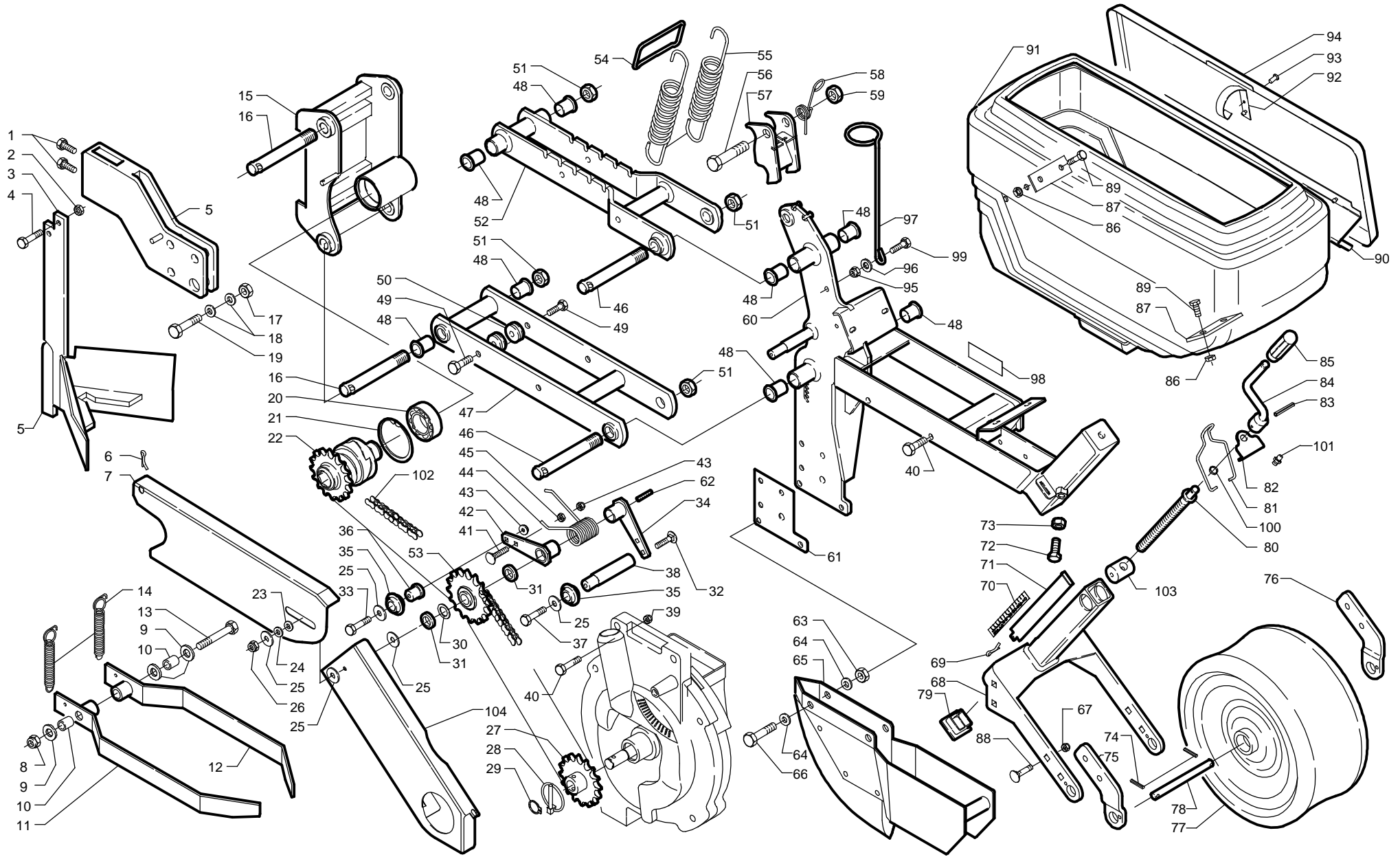
S.N.



S.N.

Pos.	Code	Description	Quantity
1	020.100	SCREW TE M10X 20 8.8 5739 ZB	0
2	021.101	SELFBLOCKING NUT M 6 7474 ZB	0
3	10031620	COMP.S. PLOUGH SHARE "170"	0
4	020.103	SCREW TE M 10X35 8.8 5739 ZB	0
5	10031622	ADJUSTABLE KNIFE BLADE V.3 VER	0
6	024.229	COVER D. 4 X 18 ZB 1336	0
7	10031570	TRANSMISSION CASING SUPERIOR VER	0
8	021.113	SELFBLOCKING NUT M 12 7473 ZB	0
9	023.040	FLAT WASHER M12=13 X24X2,5 6592 ZB	0
10	10021904	SPACER ZB	0
11	10021901	COMP.S. SEED COVER LEFT	0
12	10021902	COMP.S. SEED COVER RIGHT	0
13	020.163	SCREW TE M12X 100 8.8 5737 ZB	0
14	10031912	SEED COVER SPRING ZB	0
15	10041020	SOLDERED COMP. PARALLELOGRAM COUPLING	0
16	10011050	FRONT PIN OF PARALLELOGRAM ZB	0
17	021.112	SELFBLOCKING NUT M 10 7473 ZB	0
18	023.030	FLAT WASHER M10=10,5X20X2 6592 ZB	0
19	020.115	SCREW TE M 10X40 8.8 5737 ZB	0
20	050.002	BEARING 6006-2RS	0
21	028.010	SEEGER RING I D. 55 7437/472	0
22	10021240	COMP.S. CLUTCH BLOCK V.3 CAT.	0
23	023.010	FLAT WASHER M6=6,3X12X1,6 6592 ZB	0
24	023.010	FLAT WASHER M6=6,3X12X1,6 6592 ZB	0
25	023.005	FLAT WASHER M 6= 6,6X18X2 6593 ZB	0
26	021.101	SELFBLOCKING NUT M 6 7474 ZB	0
27	30031620	DISTRIBUTOR PINION Z=20 ZB	0
28	024.015	CLICK PIN D.6 B=48 ZG	0
29	028.102	SEEGER RING E D. 17 7435/471	0
30	028.306	RING "PS" 16X22X1 DIN 988	0
31	10031568	SPACER RING D25XD16,1X5,75 ZB	0
32	020.082	SCREW TTQST M6X20 4.6 5731 ZB	0
33	020.016	SCREW TE M 6X40 8.8 5739ZB	0
34	10031556	SOLDERED COMP. TENSOR ZB	0
35	096925	CHAIN TIGHTENER ROLL NYLON	0
36	30031612	SLIDING PIN ZB	0
37	020.015	SCREW TE M 6X35 8.8 5739 ZB	0
38	10031562	TENSOR PIN ZB	0
39	021.112	SELFBLOCKING NUT M 10 7473 ZB	0
40	020.129	SCREW TE M10X 35 8.8 5737 ZB	0

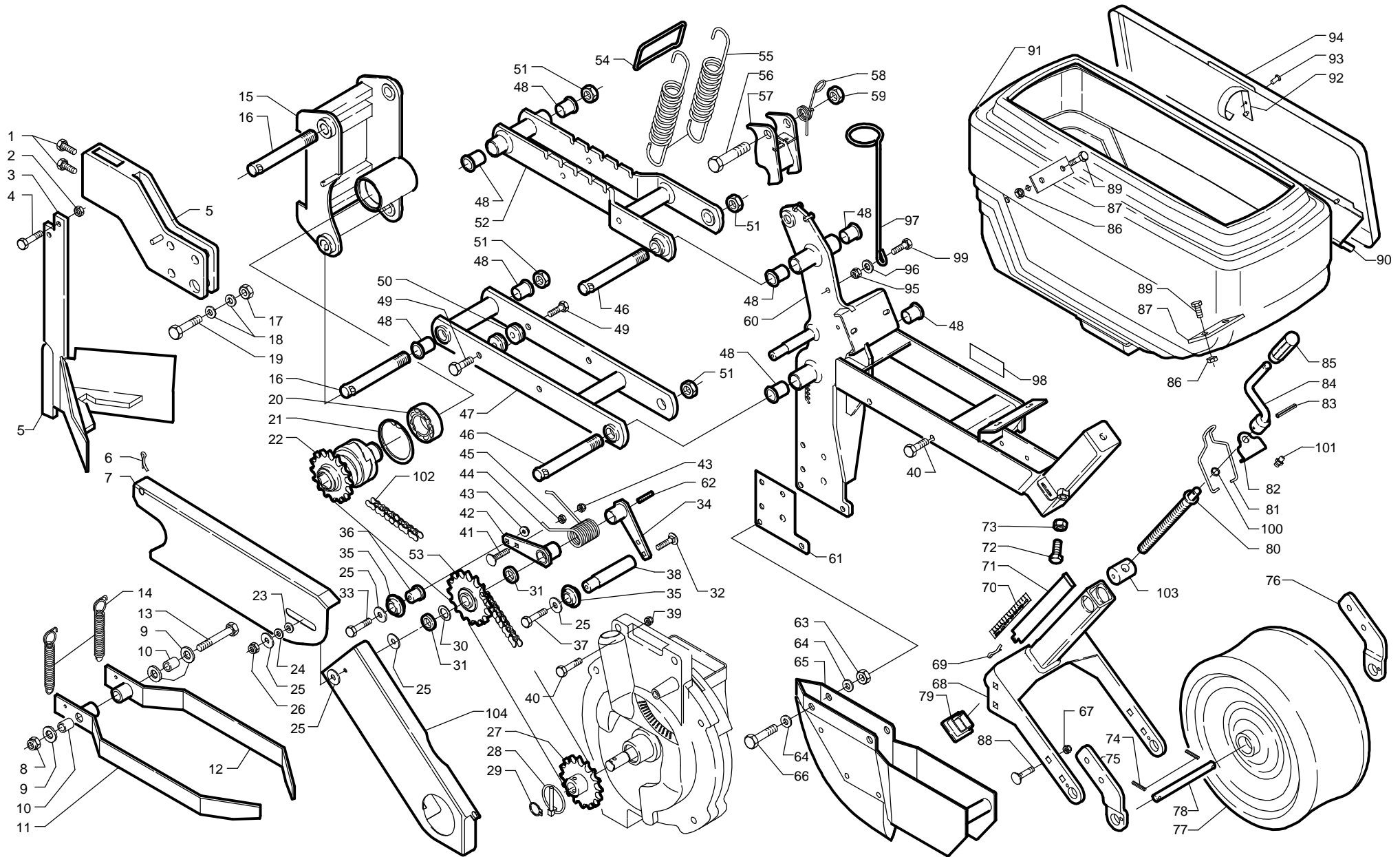
S.N.



S.N.

Pos.	Code	Description	Quantity
41	020.083	SCREW TTQST M 6X 25 4.6 5731 ZB	0
42	10031556	SOLDERED COMP. TENSOR ZB	0
43	021.115	SELFBLOCKING NUT M 6 7473 ZB	0
44	10027470	TIGHTENER SPRING ZB	0
45	021.505	KNURLED NUT AND FLANGE M 6 D.6923 ZB	0
46	10011110	REAR PIN OF PARALLELOGRAM ZB	0
47	10031031	COMP.S. PARALLELOGRAM INF. VIR	0
48	10001009	SINTERED BUSHING	0
49	020.100	SCREW TE M10X 20 8.8 5739 ZB	0
50	10031056	ELEMENT PRESSING BUSH	0
51	021.125	SELFBLOCKING NUT M 18 7473 ZB	0
52	10031030	COMP.S. PARALLELOGRAM INF. VIR	0
53	10031566	CHAIN TIGHTENER PIN. Z=20 1/2"X5/16" +B	0
54	10031050	ELEMENT PRESSURE SPRIN HANDLE ZB	0
55	10031055	ELEMENT PRESSURE SPRING ZB	0
56	020.269	SCREW TE M 16X70 8.8 5737 ZB	0
57	30031401	COMP.S. AUTOMATIC ELEMENT HOOK ZB	0
58	10031430	SPRING ZB	0
59	021.123	SELFBLOCKING NUT M 14 7473 ZB	0
60	10031500	COMP.S. ELEM. SUPPORT FUTURA-3 VIR	0
61	10031955	SUPPORT PLATE SEED COVER	0
62	026.128	GRAIN CE 14.9 M 6X30 5925	0
63	021.112	SELFBLOCKING NUT M 10 7473 ZB	0
64	023.030	FLAT WASHER M10=10,5X20X2 6592 ZB	0
65	10001810	COMP. R. HAY-CUTTER FORM COULTER X MAIS	0
65	10001860	COMP.R. HAY-CUTTER FORM COULTER MESSICO	0
66	020.129	SCREW TE M10X 35 8.8 5737 ZB	0
67	021.112	SELFBLOCKING NUT M 10 7473 ZB	0
68	10031705	COMP.S. FORK ASSEMBLY V.3	0
69	024.227	COVER D.4 X 30 ZB 1336	0
70	10009825	LABEL.WHEEL HIGHT "0-13"	0
71	10031716		0
72	020.152	SCREW TE M 12X30 8.8 5739 ZB	0
73	021.005	NUT E 6S M 12 5588 ZB	0
74	024.351	ELASTIC PIN D. 6X32 6873 NE	0
75	10031754	TRIPLE CALMP MEXICO SX	0
76	10031755	TRIPLE CLAMP MEXICO DX	0
77	040.300	FLEX 370X165 CV (MBF) RUBBER WHEEL	0
78	10001714	WHEEL PIN ZB	0
79	095.077	PIPE CAP Q. 40 S.5 POL. BLACK	0

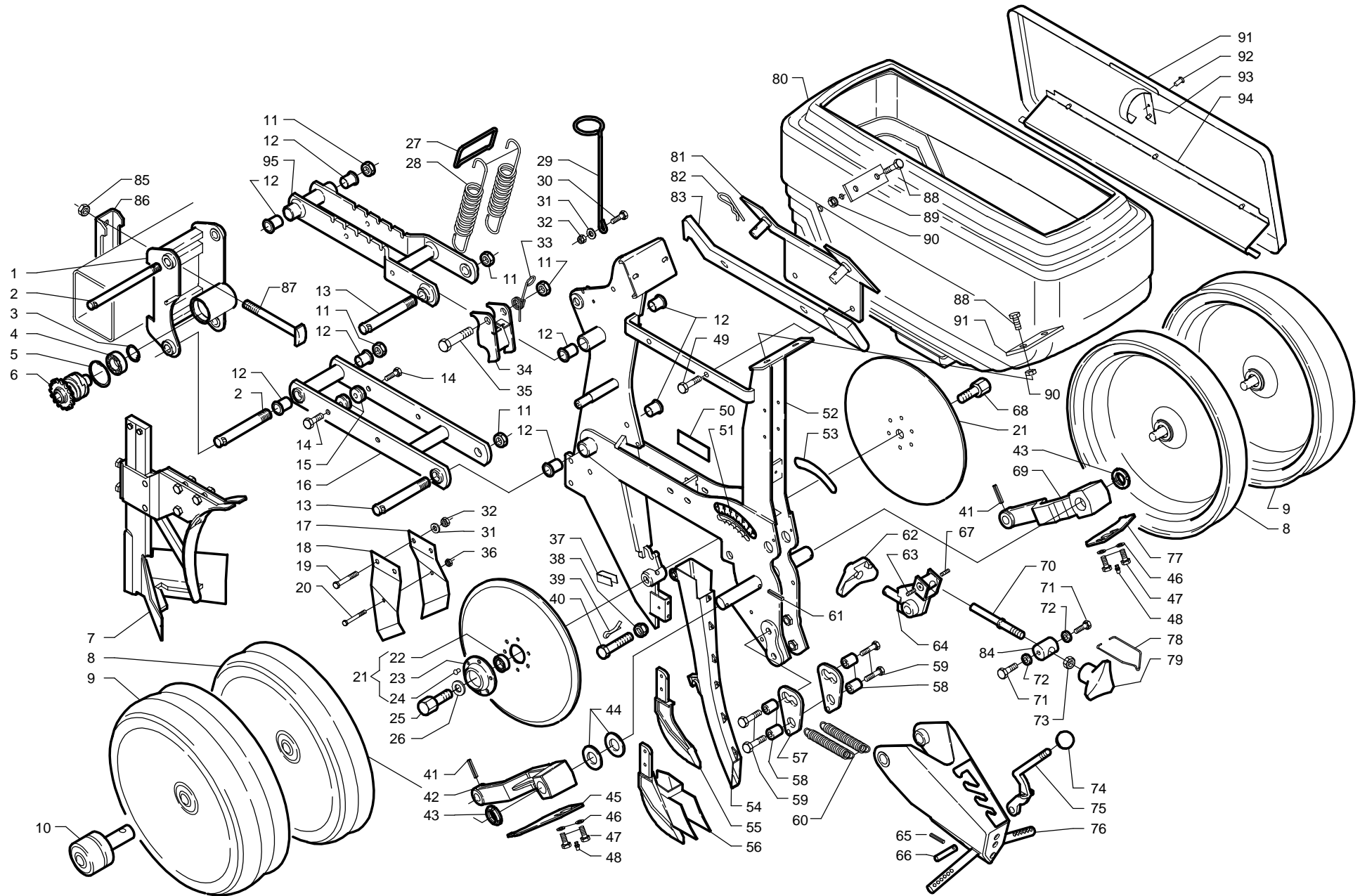
S.N.



S.N.

Pos.	Code	Description	Quantity
80	10001708	COMP.S. ADJUSTMENT SCREW ZB	0
81	10001711	FIXING SPRING ZB	0
82	10031717		0
83	024.304	ELASTIC PIN D.4X20 6873 NE	0
84	10001710	COMP. S.HANDLE SET ZB	0
85	095.047	KNOB "RIMA"DI.14 L=85	0
86	021.406	SELFBLOCKING NUT M 6 7473 INOX	0
87	10004217	PLATE	0
88	020.612	TTQST M 10X 35 4.6 5731 ZB SCREWS	0
89	021.815	SCREW TE M 6X25 8.8 5739 INOX	0
90	10034225	PLATE COVER HINGE	0
91	10004210	HOPPER PET WHITE	0
92	10034226	COVER SPRING	0
93	029.001	TEAR RIVET UNI9200-A-4-9-P-ALMG5	0
94	10034215	COMP.M.SEED HOPPER COVER V	0
95	021.114	SELFBLOCKING NUT M 8 7473 ZB	0
96	023.017	FLAT WASCHER M8=9 X24X2 6593 ZB	0
97	10001410	SUPPORT TUBE ZB	0
98	10034200		0
99	020.052	SCREW TE M 8X25 8.8 5739 ZB	0
100	023.010	FLAT WASCHER M6=6,3X12X1,6 6592 ZB	0
101	022.001	GREASE DEVICE M 6X1 UNI 7663A DIR.ZB	0
102	10031574	CHAIN 08B-1 1/2 5/16 129 MAGLIE +G.+F	0
103	10001709	BUSHING FOR ADJUSTMENT SCREW ZB	0
104	10031576	LOWER CASING VIR	0

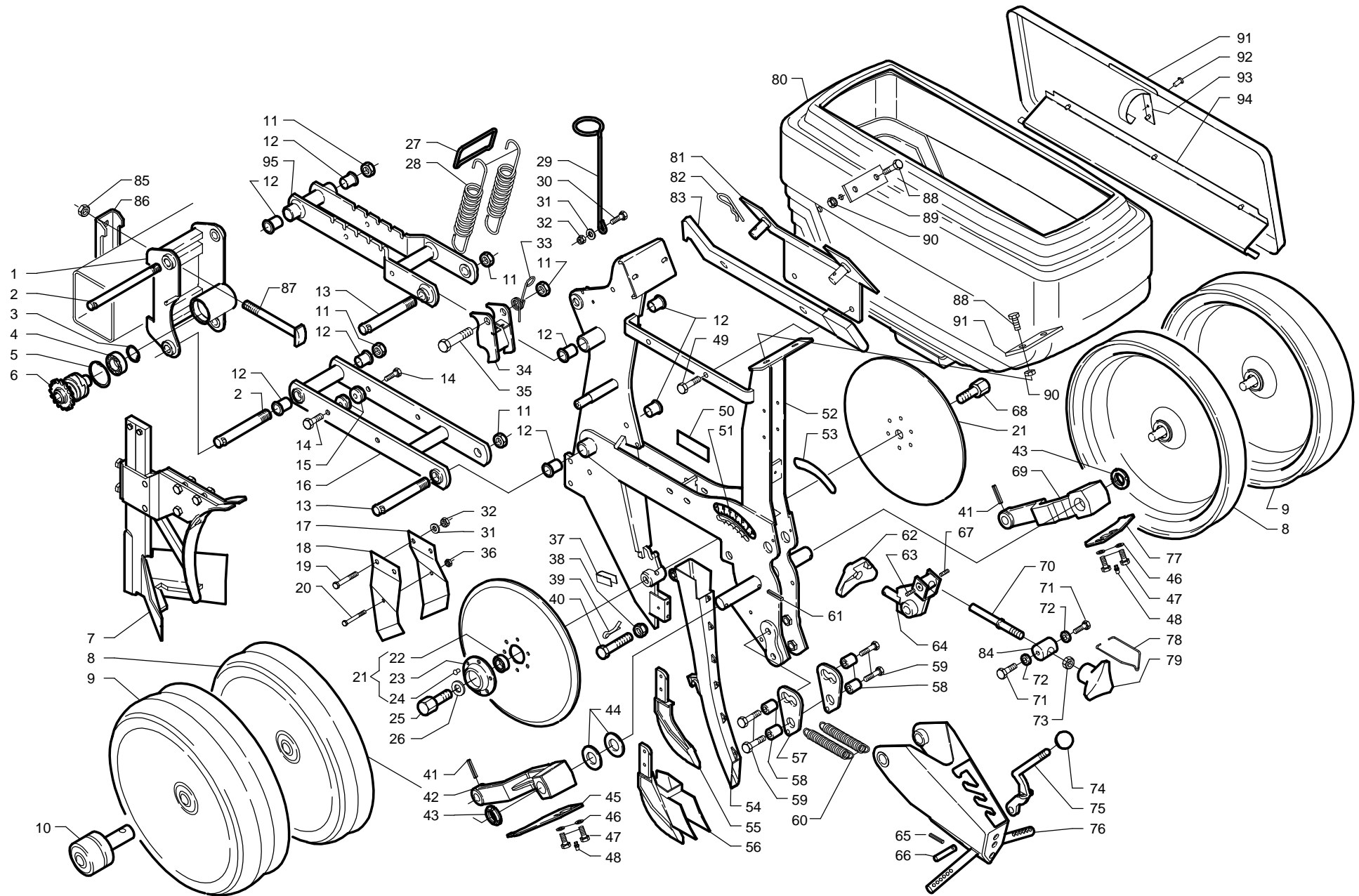
S.N.



S.N.

Pos.	Code	Description	Quantity
1	10041020	SOLDERED COMP. PARALLELOGRAM COUPLING	0
2	10011050	FRONT PIN OF PARALLELOGRAM ZB	0
3	028.110	SEEGER RING E D. 30 7435/471	0
4	050.002	BEARING 6006-2RS	0
5	028.010	SEEGER RING I D. 55 7437/472	0
6	10021240	COMP.S. CLUTCH BLOCK V.3 CAT.	0
7	30031418		0
8	30001093	HIGHT REGULAT. WHEEL DE=400 SP=65	0
9	30001092	HIGHT REGULAT. WHEEL DE=400 SP=115	0
10	051.050	BEARING DE. 40 WITH PIN L.33	0
11	021.125	SELFBLOCKING NUT M 18 7473 ZB	0
12	10001009	SINTERED BUSHING	0
13	10011110	REAR PIN OF PARALLELOGRAM ZB	0
14	020.100	SCREW TE M10X 20 8.8 5739 ZB	0
15	10031056	ELEMENT PRESSING BUSH	0
16	10031031	COMP.S. PARALLELOGRAM INF. VIR	0
17	30031106	DISC SCRAPER RIGHT (CATAF. NERO)	0
18	30031107	DISC SCARPER LEFT (CATAF. NERO)	0
19	020.060	SCREW TE M 8X70 8.8 5737 ZB	0
20	020.040	SCREW TE M 6X100 8.8 5737 ZB	0
21	30031203	DISC DE.380 DI.27,8 S.3 VEN	0
22	050.105	BEARING 3204-2RS1	0
23	30031204	DISC HUB	0
24	023.842	RIVET FE TT D.6X16 UNI 748	0
25	30031206	DISC FIXING FLANGED SCREW LEFT ZB	0
26	050.500	RING NILOS JV 6204	0
27	10031050	ELEMENT PRESSURE SPRIN HANDLE ZB	0
28	10031055	ELEMENT PRESSURE SPRING ZB	0
29	10001410	SUPPORT TUBE ZB	0
30	020.052	SCREW TE M 8X25 8.8 5739 ZB	0
31	023.017	FLAT WASCHER M8=9 X24X2 6593 ZB	0
32	021.114	SELFBLOCKING NUT M 8 7473 ZB	0
33	10031430	SPRING ZB	0
34	30031401	COMP.S. AUTOMATIC ELEMENT HOOK ZB	0
35	020.269	SCREW TE M 16X70 8.8 5737 ZB	0
36	021.115	SELFBLOCKING NUT M 6 7473 ZB	0
37	30031178	FIXING STRAP FOR TUBE 10X30X1 INOX	0
38	021.123	SELFBLOCKING NUT M 14 7473 ZB	0
39	024.233	COVER D. 4 X 20 ZB 1336	0
40	020.269	SCREW TE M 16X70 8.8 5737 ZB	0

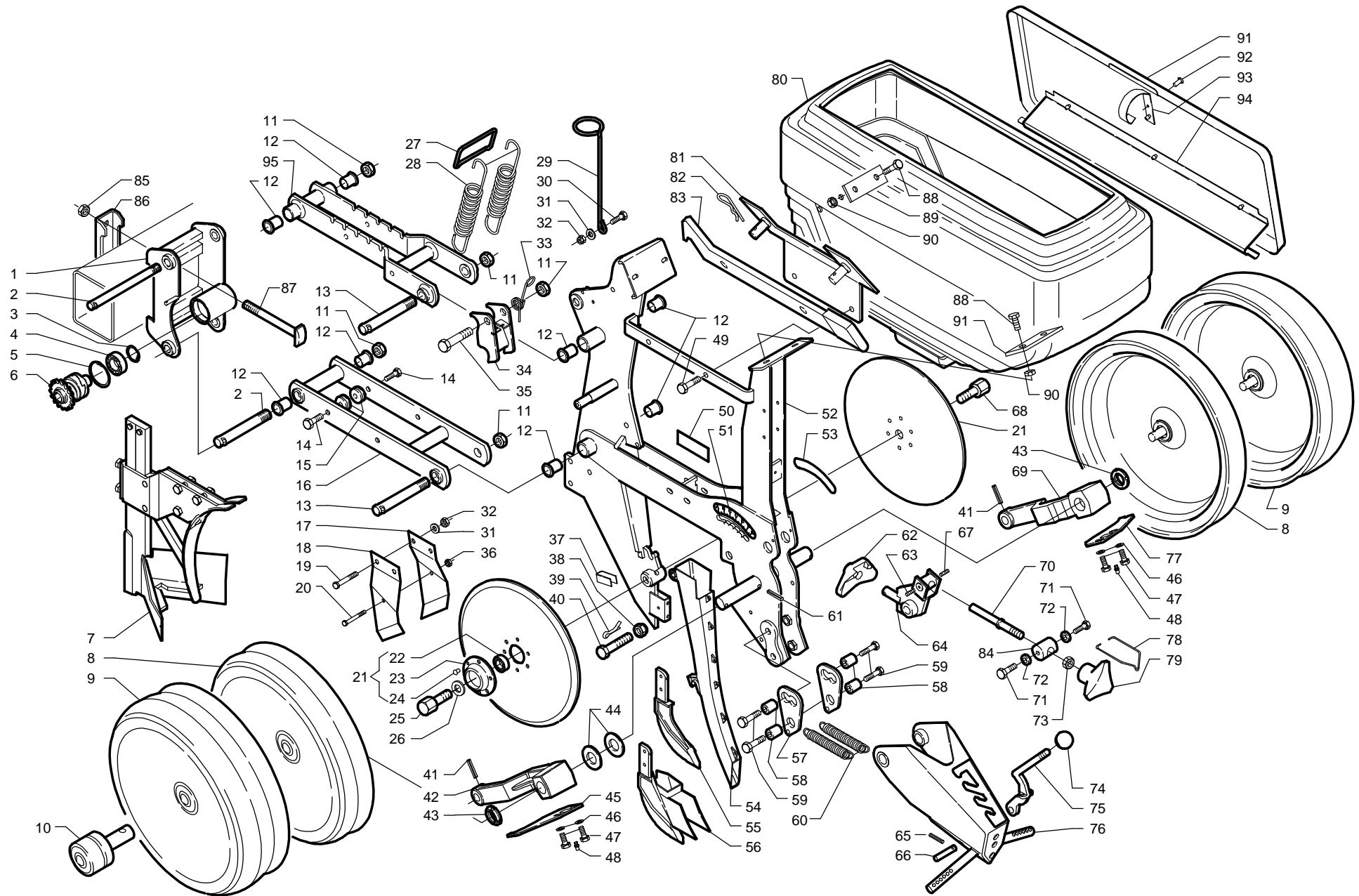
S.N.



S.N.

Pos.	Code	Description	Quantity
41	024.344	ELASTIC PIN D.6X30 6873 NE	0
42	30031094	WHEEL THREADED SUPPORT LEFT	0
43	021.246	SELFBLOCKING RING NUT M25X1,5 GUK ZG	0
44	023.085	FLAT WASHER M24=25 X44X4 6592 ZB	0
45	30031068	SCRAPER PLATE L=60 ZB	0
45	30031069	SCRAPER PLATE ZB	0
46	023.030	FLAT WASHER M10=10,5X20X2 6592 ZB	0
47	020.051	SCREW TE M 8X20 8.8 5739 ZB	0
48	022.001	GREASE DEVICE M 6X1 UNI 7663A DIR.ZB	0
49	020.129	SCREW TE M10X 35 8.8 5737 ZB	0
50	10034200		0
51	10039826	LABEL WHEEL HIGHT MAXI RIGHT/LEFT V.3	0
52	30031020	COMP.S. SUPPORT ELEMENT MAXI VER	0
53	10039826	LABEL WHEEL HIGHT MAXI RIGHT/LEFT V.3	0
54	30881160	WHOLE SEED FALLING CHANNEL	0
55	30031175	HAY-CUTTER FORM COULTER MAXI CAT. BLACK	0
56	30031177	COMP.S. DRY SOILD COULTER VER	0
57	30031715	WHEEL EXCLUSIO PLATE ZB	0
58	30031720	COMPENSATORE BUSH ZB	0
59	020.157	SCREW TE M12X 55 8.8 5737 ZB	0
60	30031340	SPRING A TRAZIONE 3,2X21X160 ZBD	0
61	024.345	ELASTIC PIN D.6X40 6873 NE	0
62	30001225	REGULATION PLATE CAT. BLACK	0
63	026.094	GRAIN CE 14.9 M 5X16 5923/A	0
64	30031220	COMP.S.CONNECTION PLATE V.3 ZB	0
65	024.306	ELASTIC PIN D. 4X30 6873 NE	0
66	30031328	PIN HANDLE HARROW	0
67	026.094	GRAIN CE 14.9 M 5X16 5923/A	0
68	30031205	DISC FIXING FLANGED SCREW RIGHT ZB	0
69	30031095	WHEEL HREADED SUPPORT RIGHT	0
70	30031212	COMP.S. REGUALTION SCREW ZB	0
71	020.098	SCREW TE M10X16 8.8 5739 ZB	0
72	30031038	SCREW GUIDIGN BUSH	0
73	021.007	NUT E 6S M 16 5588 ZB	0
74	095.019	SPHERE KNOB M 12 IN BAKELITE PB/32	0
75	30031360	COMP.S. SEED COVER REGULATION HANDLE ZB	0
76	30031320	SOLDERED COMP. WHEEL PLATE SUPPORT	0
77	30031068	SCRAPER PLATE L=60 ZB	0
77	30031069	SCRAPER PLATE ZB	0
78	30001211	HANDLE LOCK ZB	0

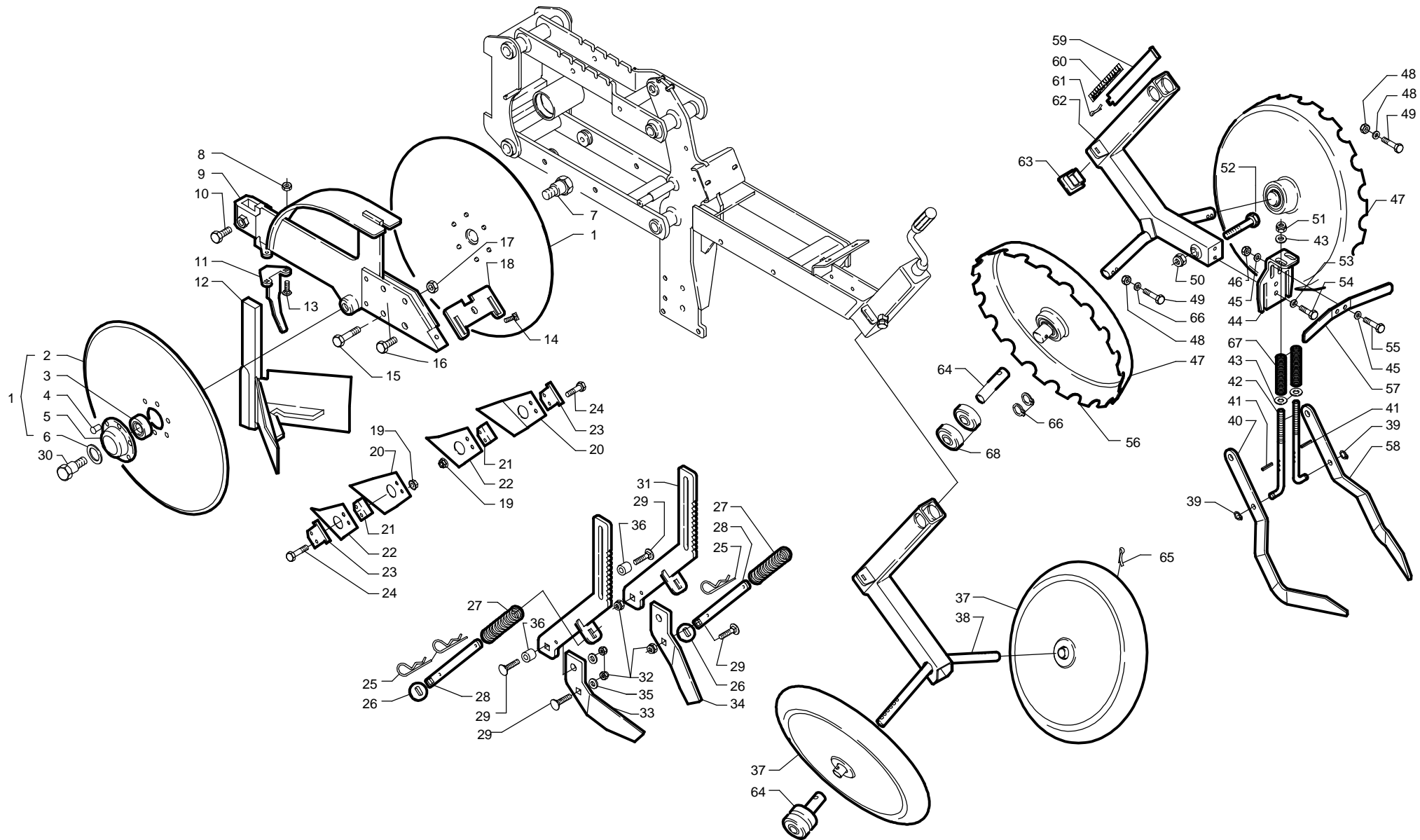
S.N.



S.N.

Pos.	Code	Description	Quantity
79	095.013	HAND WHEEL 3 PUNTE "GAMM" 3P/85/B M16	0
80	30004210	HOPPER MAXI	0
81	30031088		0
82	024.002	ELASTIC SPLIT PIN D.3,2 8833-A ZB	0
83	30031080		0
84	30031036	GUIDE SCREW REGULATOR	0
85	021.105	SELFBLOCKING NUT M 14 7474 ZB	0
86	10017102	FRONT LINKAGE	0
87	10011025	SCREW WITH STEADY RESET HEAD M14 D.320A	0
88	021.815	SCREW TE M 6X25 8.8 5739 INOX	0
89	10004217	PLATE	0
90	021.406	SELFBLOCKING NUT M 6 7473 INOX	0
91	10034227	COVER SHEET	0
92	029.001	TEAR RIVET UNI9200-A-4-9-P-ALMG5	0
93	10034226	COVER SPRING	0
94	10034225	PLATE COVER HINGE	0
95	10031030	COMP.S. PARALLELOGRAM INF. VIR	0

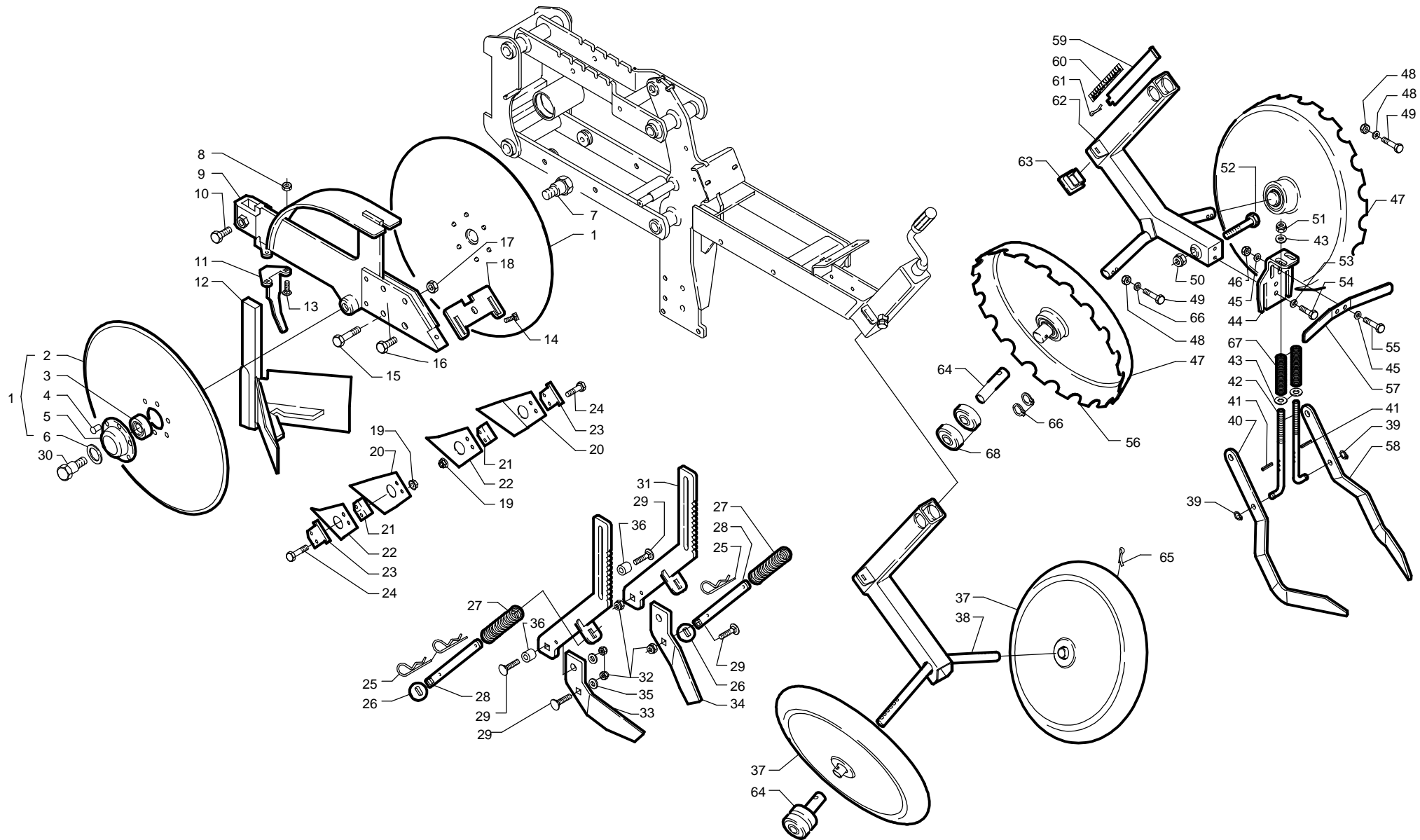
S.N.



S.N.

Pos.	Code	Description	Quantity
1	10037660	COMP.M. LISTE4R DISC	0
2	10037604	COULTER DISC D.354-S.3(27.8)VEN	0
3	050.105	BEARING 3204-2RS1	0
4	023.842	RIVET FE TT D.6X16 UNI 748	0
5	30031204	DISC HUB	0
6	050.500	RING NILOS JV 6204	0
7	30031205	DISC FIXING FLANGED SCREW RIGHT ZB	0
8	021.505	KNURLED NUT AND FLANGE M 6 D.6923 ZB	0
9	10031441	COMP.S. SUPPORT DISC+ SPARTIZ.	0
10	021.151	SELFBLOCKING NUT M 12X1,25 PF 7474 ZB	0
11	10031465	DISC PROTECTION ZB	0
12	10031475		0
13	020.082	SCREW TTQST M6X20 4.6 5731 ZB	0
14	021.005	NUT E 6S M 12 5588 ZB	0
15	020.102	SCREW TE M10X30 8.8 5739 ZB	0
16	020.152	SCREW TE M 12X30 8.8 5739 ZB	0
17	021.004	NUT E 6S M 10 5588 ZB	0
18	10031459		0
19	021.505	KNURLED NUT AND FLANGE M 6 D.6923 ZB	0
20	10031460	SCRAPING BLADE LEFT	0
21	10031462		0
22	10031461	SCRAPING BLADE RIGHT	0
23	10027670	SCARPER BALDES FIXING PALTE ZB	0
24	020.014	SCREW TE M 6X30 8.8 5739 ZB	0
25	024.002	ELASTIC SPLIT PIN D.3,2 8833-A ZB	0
26	30021534		0
27	30021510	SEED COVER SPRING MAXI ZB	0
28	10031959		0
29	020.601	SCREW TTQST M 8X 25 4.6 5731 ZB	0
30	30031206	DISC FIXING FLANGED SCREW LEFT ZB	0
31	10031955	SUPPORT PLATE SEED COVER	0
32	021.114	SELFBLOCKING NUT M 8 7473 ZB	0
33	10031960	SEED COVER LEFT	0
34	10031961	SEED COVER RIGHT	0
35	023.017	FLAT WASCHER M8=9 X24X2 6593 ZB	0
36	10031962	COVER SEED BUSSHING	0
37	040.218	FLEX 1"X12" REG.LAT. RUBBER WHEEL	0
37	040.219	FLEX 2"X13" RUBBER WHEEL	0
38	10002120		0
39	028.099	SEEGER RING E D. 10 7435/471	0

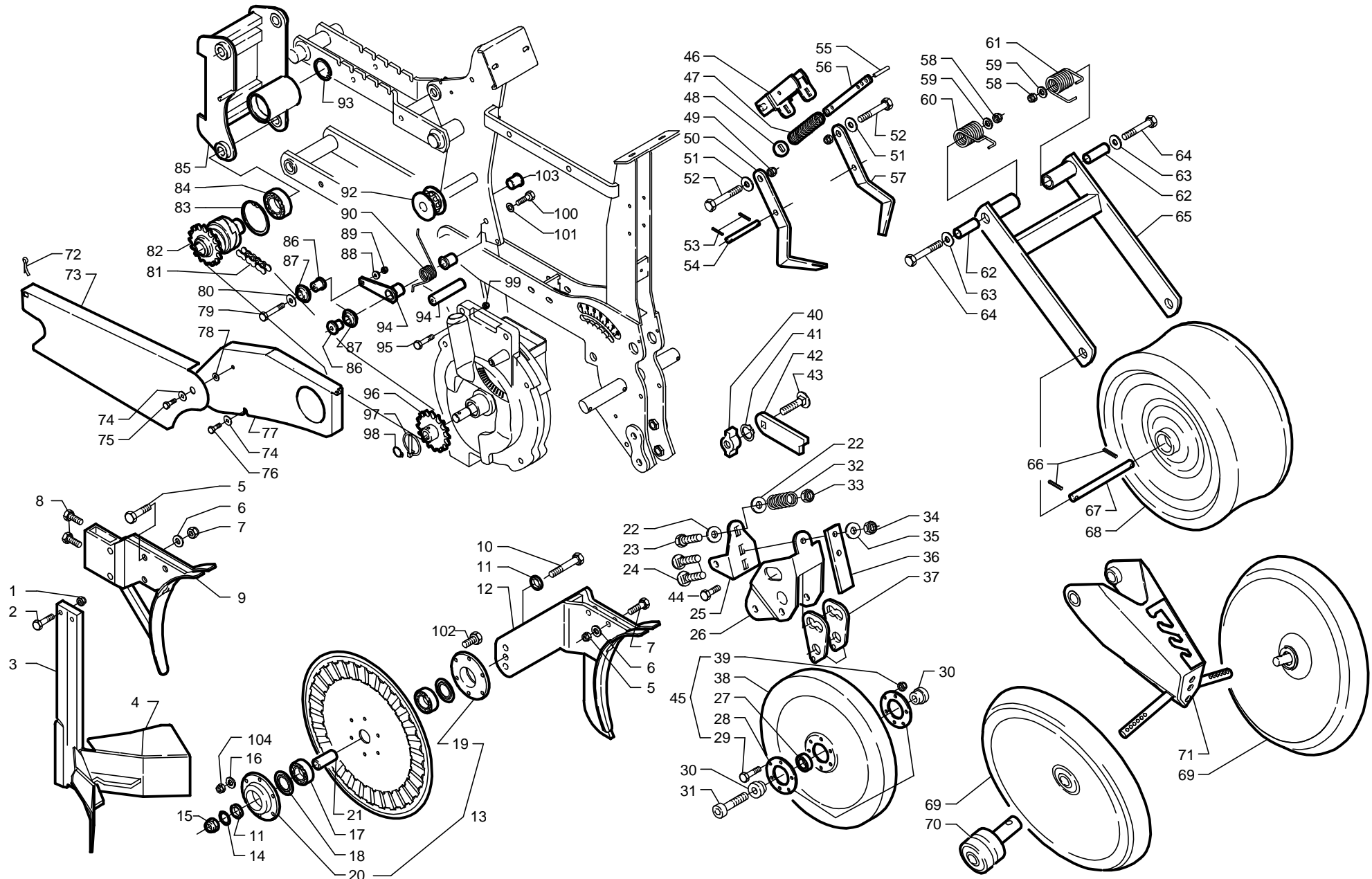
S.N.



S.N.

Pos.	Code	Description	Quantity
40	10002074		0
41	024.305	ELASTIC PIN D. 4X16 6873 NE	0
42	10002082		0
43	023.030	FLAT WASHER M10=10,5X20X2 6592 ZB	0
44	10002076		0
45	023.020	FLAT WASCHER M 8=8,4X16X1,6 6592 ZB	0
46	021.114	SELFBLOCKING NUT M 8 7473 ZB	0
47	10002055		0
48	021.115	SELFBLOCKING NUT M 6 7473 ZB	0
49	020.006	SCREW TE M 6X40 8.8 5737 ZB	0
50	021.113	SELFBLOCKING NUT M 12 7473 ZB	0
51	021.112	SELFBLOCKING NUT M 10 7473 ZB	0
52	020.171	TE M12x80 8.8 ISO 4014 ZB SCREW	0
53	023.301	GROWER WASHER A M8-D. 8,4 1751 ZBD	0
54	020.051	SCREW TE M 8X20 8.8 5739 ZB	0
55	020.052	SCREW TE M 8X25 8.8 5739 ZB	0
56	156314	COMPL. WHEEL WITH HUB	0
57	10002080		0
58	10002072		0
59	10031716		0
60	10009825	LABEL.WHEEL HIGHT "0-13"	0
61	024.229	COVER D. 4 X 18 ZB 1336	0
62	10002100		0
63	095.077	PIPE CAP Q. 40 S.5 POL. BLACK	0
64	051.050	BEARING DE. 40 WITH PIN L.33	0
65	024.348	ELASTIC PIN D. 6X22 6873 NE	0
66	028.108	SEEGER RING E D. 25 7435/471	0
67	086411	SPRING ZN	0
68	049.999	BEARING 6005 2RS1	0

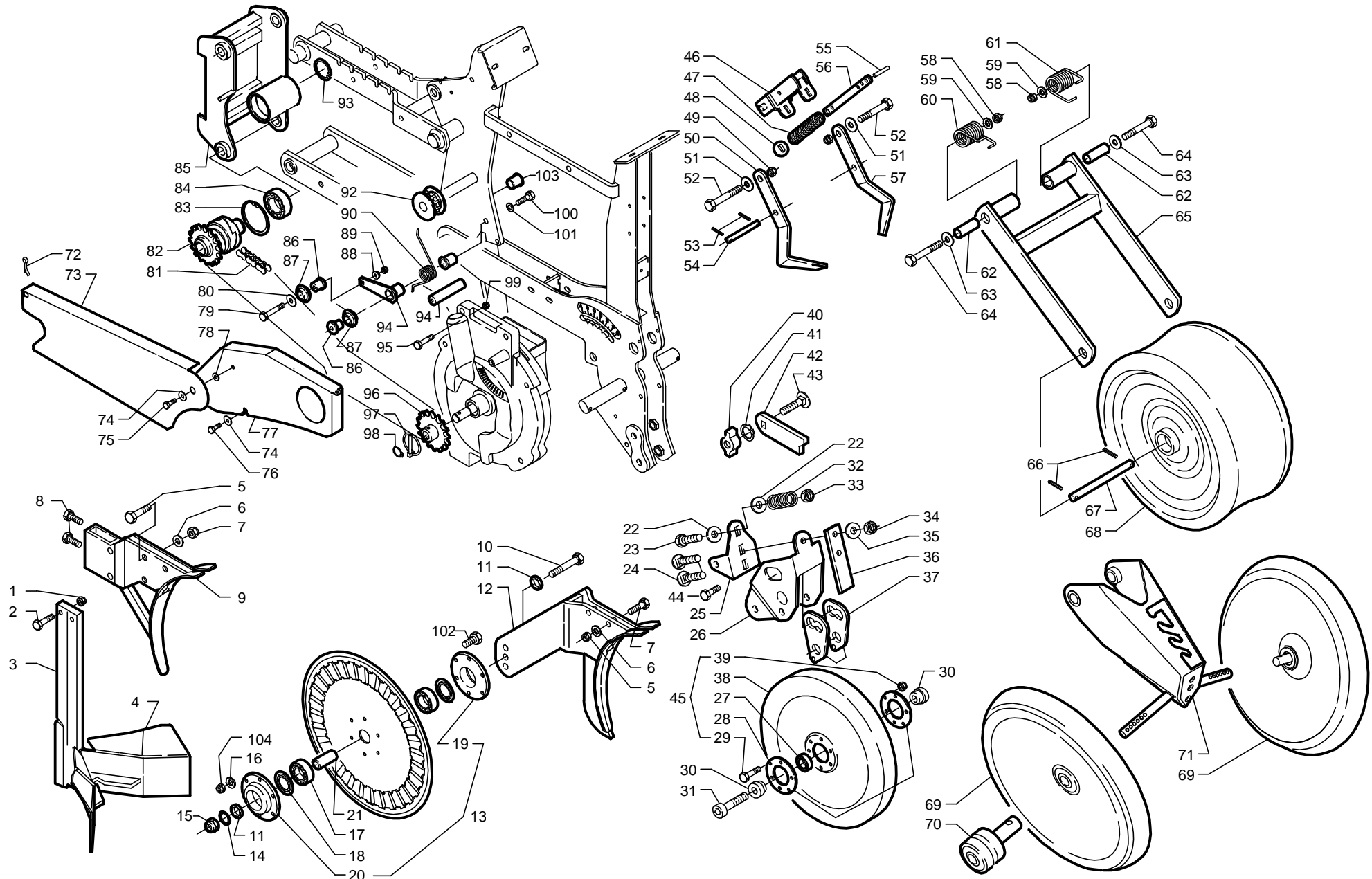
S.N.



S.N.

Pos.	Code	Description	Quantity
1	021.115	SELFBLOCKING NUT M 6 7473 ZB	0
2	020.013	TE M6x25 8.8 ISO 4017 ZB SCREW	0
3	10031622	ADJUSTABLE KNIFE BLADE V.3 VER	0
4	10031620	COMP.S. PLOUGH SHARE "170"	0
4	10031625	COMP.S. PLOUGH SHARE V.3 REG.250 VIR	0
5	020.115	SCREW TE M 10X40 8.8 5737 ZB	0
6	023.030	FLAT WASHER M10=10,5X20X2 6592 ZB	0
7	021.112	SELFBLOCKING NUT M 10 7473 ZB	0
8	020.100	SCREW TE M10X 20 8.8 5739 ZB	0
9	30031425	COMP.S.PLOUGH SHARE SUPPORT MAXI 15MM V.	0
10	020.171	TE M12x80 8.8 ISO 4014 ZB SCREW	0
11	30031833		0
12	30031812		0
13	30031835	MOUNT.ASSEMBL.CORRUG. FERT.DISCS X MAXI	0
14	023.040	FLAT WASHER M12=13 X24X2,5 6592 ZB	0
15	021.113	SELFBLOCKING NUT M 12 7473 ZB	0
16	023.010	FLAT WASHER M6=6,3X12X1,6 6592 ZB	0
17	050.007	BEARING 20X47X14 6204-2RS	0
18	050.500	RING NILOS JV 6204	0
19	10037606		0
20	30031831		0
21	30031832		0
22	023.005	FLAT WASHER M 6= 6,6X18X2 6593 ZB	0
23	020.004	SCREW TE M6X35 8.8 5737 ZB	0
24	020.083	SCREW TTQST M 6X 25 4.6 5731 ZB	0
25	30031711	SCRAPER HOLDER COVER SEED WHEEL	0
26	30031705	SEED COVER WHEEL EQUILIZER VE	0
27	050.105	BEARING 3204-2RS1	0
28	30031722	PROTECTION FOR BUSH ZB	0
29	020.014	SCREW TE M 6X30 8.8 5739 ZB	0
30	30031721	SEED PRESS WHEEL BUSH ZB	0
31	020.661	SCREW TSPEI M 10X60 10.9 5933 ZB	0
32	30001108	COMPRESSION SPRING ZB	0
33	021.002	NUT E 6S M 6 5588 ZB	0
34	021.115	SELFBLOCKING NUT M 6 7473 ZB	0
35	023.005	FLAT WASHER M 6= 6,6X18X2 6593 ZB	0
36	30031712	PRESS SEED WHEEL SCRAPER	0
37	30031715	WHEEL EXCLUSIO PLATE ZB	0
38	30039610	COMP. PRESS SEED WHEEL (BIMETALLICO) CL	0
39	021.505	KNURLED NUT AND FLANGE M 6 D.6923 ZB	0

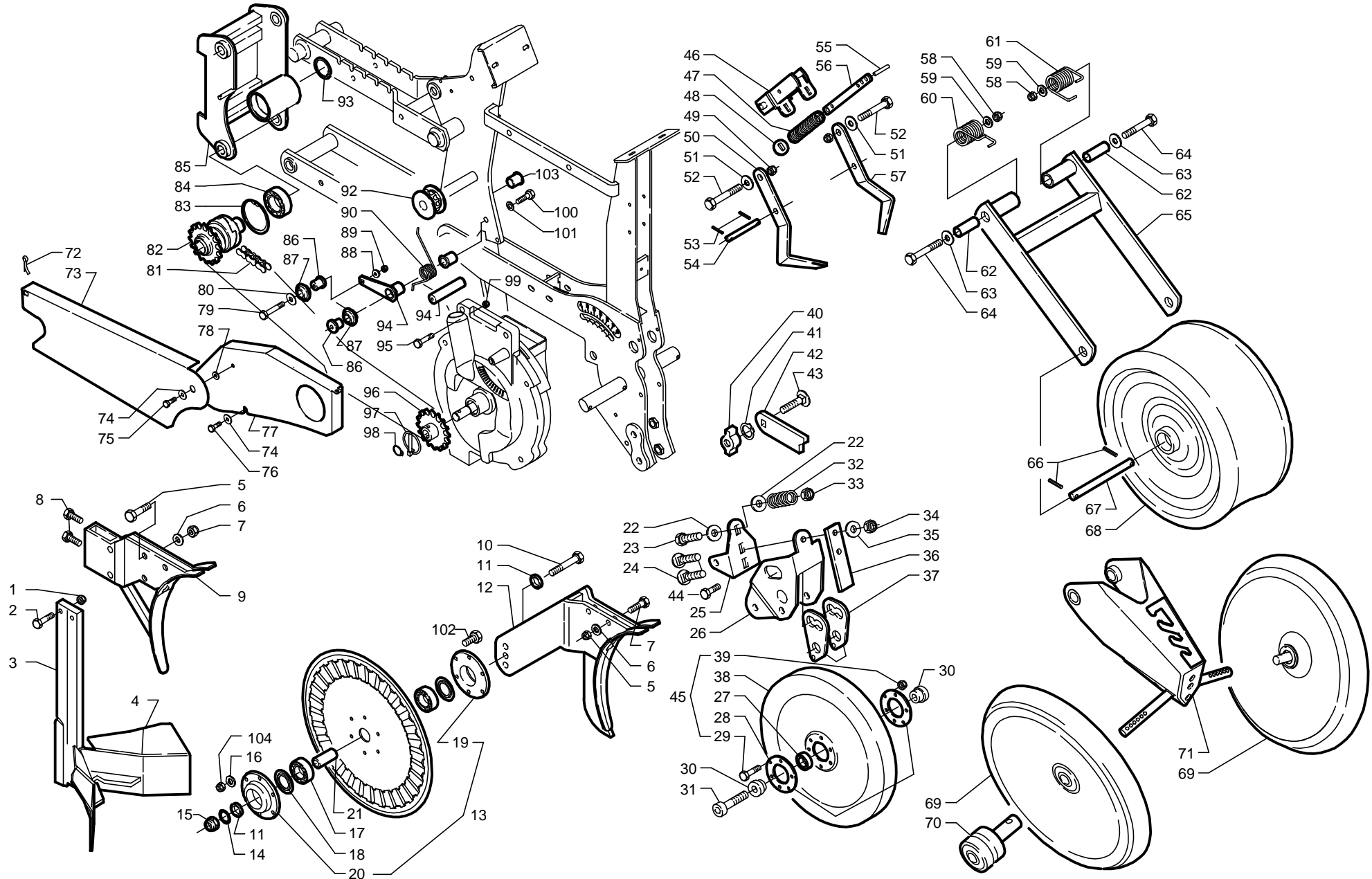
S.N.



S.N.

Pos.	Code	Description	Quantity
40	095.258	FIXING WING NUT M8 GAMM GB/40/FP	0
41	028.097	SEEGER RING E D. 8 7435/471	0
42	30031041	WHEEL RELEASE PLATE ZB	0
43	020.576	SCREW TTQST M 8X 40 4.6 5731 ZB	0
44	020.011	SCREW TE M6X16 8.8 5739 ZB	0
45	30039010R	COMP.M. SEED PRESSING WHEEL	0
46	30031520		0
47	30021510	SEED COVER SPRING MAXI ZB	0
48	30021534		0
49	021.114	SELFBLOCKING NUT M 8 7473 ZB	0
50	30021530	SEED COVER LF VER	0
51	023.020	FLAT WASCHER M 8=8,4X16X1,6 6592 ZB	0
52	020.059	SCREW TE M 8X65 8.8 5737 ZB	0
53	024.280	ELASTIC PIN D.4X24 6873 NE	0
54	30021536	SEEDCOVER BAR PIN ZB	0
55	024.324	ELASTIC PIN D. 5X40 6873 NE	0
56	30021532		0
57	30021528	SEED COVER RH VER	0
58	021.113	SELFBLOCKING NUT M 12 7473 ZB	0
59	023.040	FLAT WASHER M12=13 X24X2,5 6592 ZB	0
60	30031563	SEED PRESSING SPRING LEFT MAXI ZB	0
61	30031564	SEED PRESSING SPRING RIGHT MAXI ZB	0
62	30031558		0
63	023.040	FLAT WASHER M12=13 X24X2,5 6592 ZB	0
64	020.162	SCREW TE M 12X90 8.8 5737 ZB	0
65	30031552		0
66	024.345	ELASTIC PIN D.6X40 6873 NE	0
67	10001714	WHEEL PIN ZB	0
68	040.300	FLEX 370X165 CV (MBF) RUBBER WHEEL	0
69	040.218	FLEX 1"X12" REG.LAT. RUBBER WHEEL	0
69	040.219	FLEX 2"X13" RUBBER WHEEL	0
70	051.072	BEARING FOR WHEEL 1"X12	0
70	051.073	BEARING FOR WHEEL 2"X13	0
71	30031320	SOLDERED COMP. WHEEL PLATE SUPPORT	0
72	024.229	COVER D. 4 X 18 ZB 1336	0
73	30031630	UPPER CASE VER	0
74	023.005	FLAT WASHER M 6= 6,6X18X2 6593 ZB	0
75	020.011	SCREW TE M6X16 8.8 5739 ZB	0
76	020.015	SCREW TE M 6X35 8.8 5739 ZB	0
77	30031632	LOWER CASE VER	0

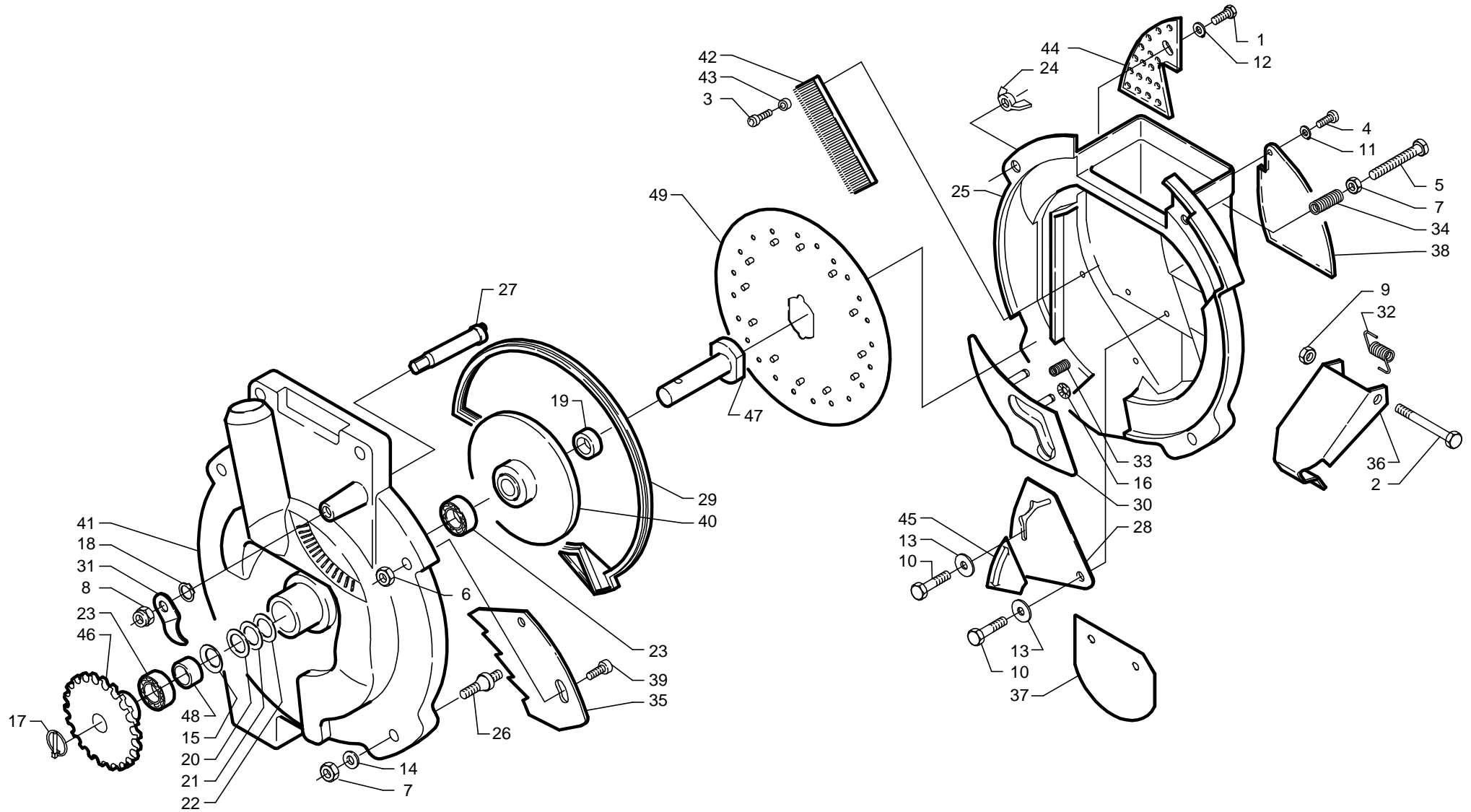
S.N.



S.N.

Pos.	Code	Description	Quantity
78	023.010	FLAT WASCHER M6=6,3X12X1,6 6592 ZB	0
79	020.032	TE M6x80 8.8 ISO 4014 ZB SCREW	0
80	023.010	FLAT WASCHER M6=6,3X12X1,6 6592 ZB	0
81	30031634	TRANSMISSION CHAIN MAXI	0
82	10021240	COMP.S. CLUTCH BLOCK V.3 CAT.	0
83	028.010	SEEGER RING I D. 55 7437/472	0
84	050.002	BEARING 6006-2RS	0
85	10041020	SOLDERED COMP. PARALLELOGRAM COUPLING	0
86	30031612	SLIDING PIN ZB	0
87	096925	CHAIN TIGHTENER ROLL NYLON	0
88	021.505	KNURLED NUT AND FLANGE M 6 D.6923 ZB	0
89	021.505	KNURLED NUT AND FLANGE M 6 D.6923 ZB	0
90	30031618	SPRING TIGHTENER ZB	0
91	30031600	TIGHTENER PIN ZB	0
92	30031616	PULLEY	0
93	028.110	SEEGER RING E D. 30 7435/471	0
94	30031606	COMP. S. TIGHTENER ZB	0
95	020.007	SCREW TE M 6X45 8.8 5739 ZB	0
96	30031320	SOLDERED COMP. WHEEL PLATE SUPPORT	0
97	024.015	CLICK PIN D.6 B=48 ZG	0
98	028.102	SEEGER RING E D. 17 7435/471	0
99	021.115	SELFBLOCKING NUT M 6 7473 ZB	0
100	020.101	SCREW TE M 10X25 8.8 5739 ZB	0
101	023.030	FLAT WASHER M10=10,5X20X2 6592 ZB	0
102	020.171	TE M12x80 8.8 ISO 4014 ZB SCREW	0
103	10001009	SINTERED BUSHING	0
104	021.115	SELFBLOCKING NUT M 6 7473 ZB	0

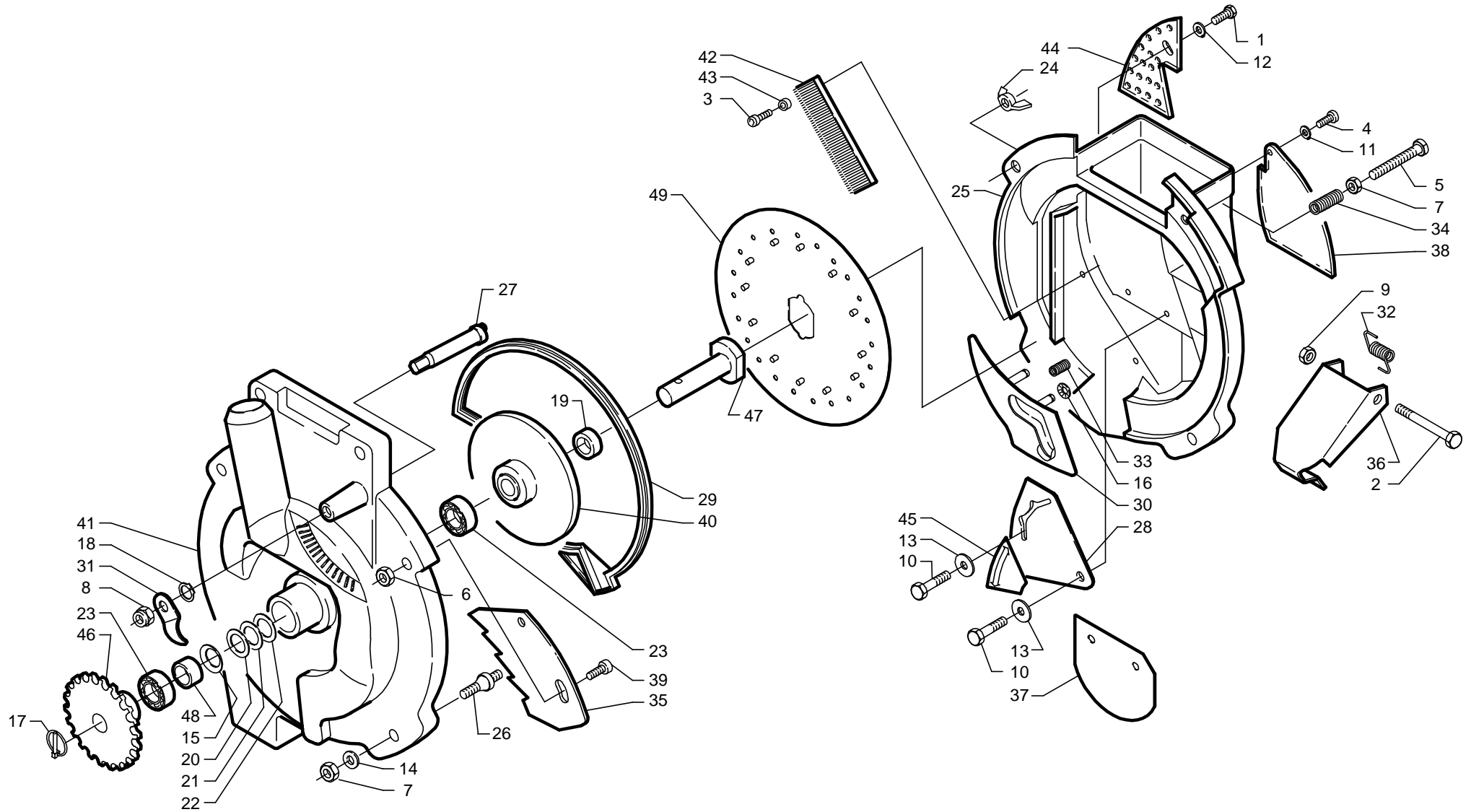
S.N.



S.N.

Pos.	Code	Description	Quantity
1	020.009	SCREW TE M6X12 8.8 5739 ZB	0
2	020.032	TE M6x80 8.8 ISO 4014 ZB SCREW	0
3	020.490	SCREW TCEI M 4X16 8.8 5931 ZB	0
4	020.677	SCREW TC A. 4.2X13 INOX 6954	0
5	020.736	SCREW TTQST M 6X50 4.6 5731 ZB	0
6	021.101	SELFBLOCKING NUT M 6 7474 ZB	0
7	021.003	NUT E 6S M 8 5588 ZB	0
8	021.112	SELFBLOCKING NUT M 10 7473 ZB	0
9	021.115	SELFBLOCKING NUT M 6 7473 ZB	0
10	021.813	SCREW TE M 4X12 8.8 5739 INOX	0
11	022.704	FLAT WASHER M 4= 4.3X9X0.8 6592 INOX	0
12	023.005	FLAT WASHER M 6= 6,6X18X2 6593 ZB	0
13	023.011	FLAT WASHER M 4= 4,3X16X1,5 6593 INOX	0
14	023.708	"SCHNORR" WASHER M 8= 8.4X13X0.8	0
15	023.790	SPRING FOR BUTTER	0
16	023.976	ELAST.FIXER WITH COVER D.6 ZB	0
17	024.015	CLICK PIN D.6 B=48 ZG	0
18	028.099	SEEGER RING E D. 10 7435/471	0
19	028.102	SEEGER RING E D. 17 7435/471	0
20	028.307	RING "PS" 17X24X0,2 DIN 988	0
21	028.308	RING "PS" 17X24X0,3 DING 988	0
22	028.309	RING "PS"8X25X1 DIN 988	0
23	050.101	BEARING 6003-2RS1 (1° QUALITY)	0
24	095.258	FIXING WING NUT M8 GAMM GB/40/FP	0
25	10004102	COMP.M. COMPLETE DISTRIBUTOR TOP	0
26	10004109	DISTRIBUTOR LOCK ZB	0
27	10004110	SELECTOR SHAFT ZB	0
28	10004112	DISTRIBUTOR CURTAIN BULKEAS	0
29	10004117	DISTRIBUTOR WASHER	0
30	10004118	PRESSURE FOR DISTRIBUTOR	0
31	10004120	INDICATOR SELCTOR	0
32	10004126	DOOR SPRING ZB	0
33	10004127	SPRING D.15X24 ZB	0
34	10004128	SPRING D.9,6X20 ZB	0
35	10004150	5 TEETH SELECTOR	0
36	10014125	SEED DISCHARGING DOOR	0
37	10024102	DISTRIBUTOR OPENING	0
38	10024105	FINESTRA ISPEZIONE (PETG-TRASP.)V.2	0
39	10024113	PIVOTING PIN SELECTOR	0
40	10024114	FLANGED DISTRIBUTOR DISC	0

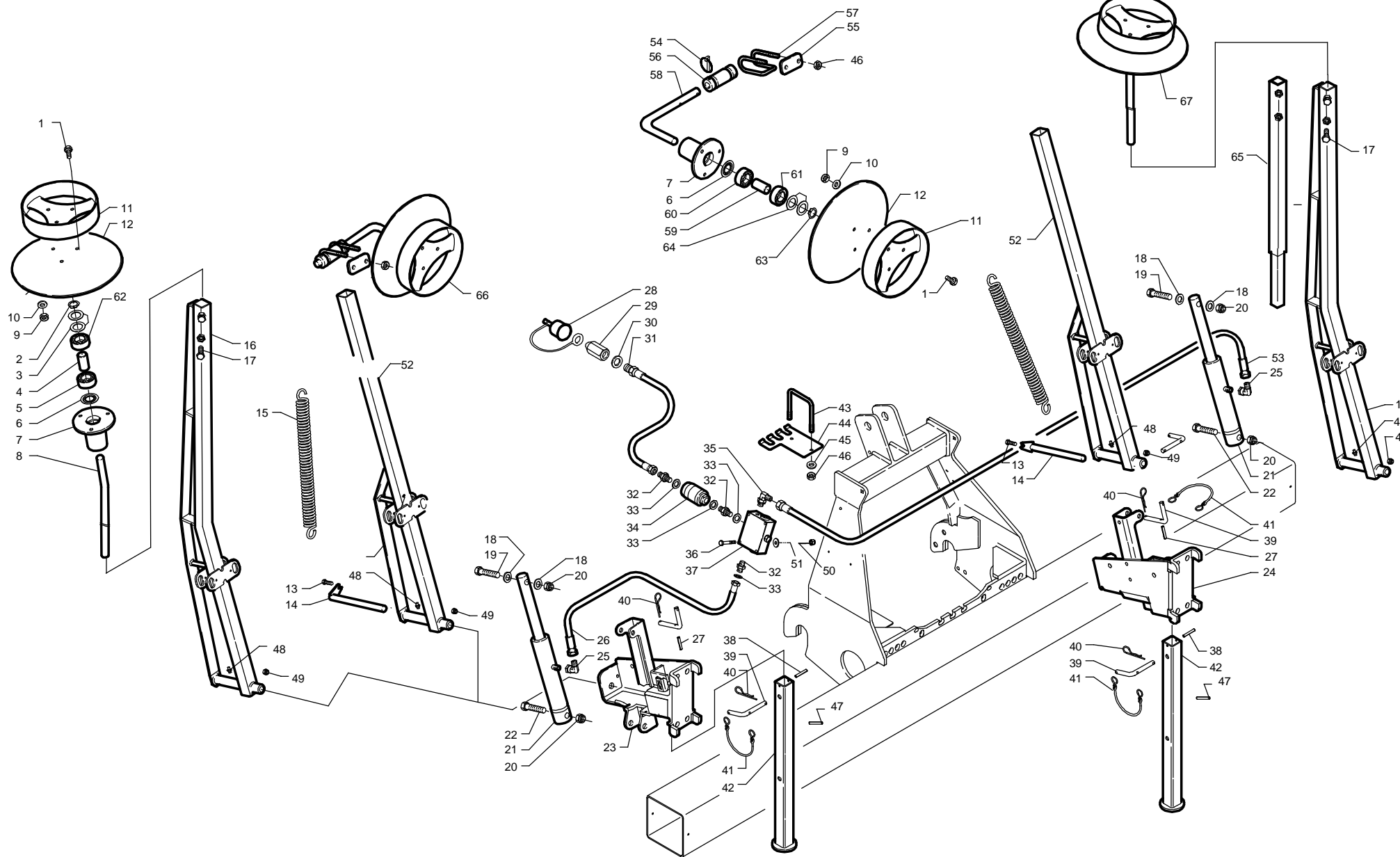
S.N.



S.N.

Pos.	Code	Description	Quantity
41	10034103	DISTRIBUTOR BODY	0
42	10034124	DISTRUBUTOR BRUSH5,2X25 L=181	0
43	10034136	DISTRUB. BRUSH BLOCKING BUSH	0
44	10034137	FRONT PERFORATED CLOSING	0
45	10034201	LABEL.A. SETTING BULKHEAD	0
46	30031320	SOLDERED COMP. WHEEL PLATE SUPPORT	0
47	30034108	FLANGED HAFT TRASC. MAXI	0
48	30034150		0
49	10024430	STANDARD MAIZE DISC HOLES24 MM 4,5	0

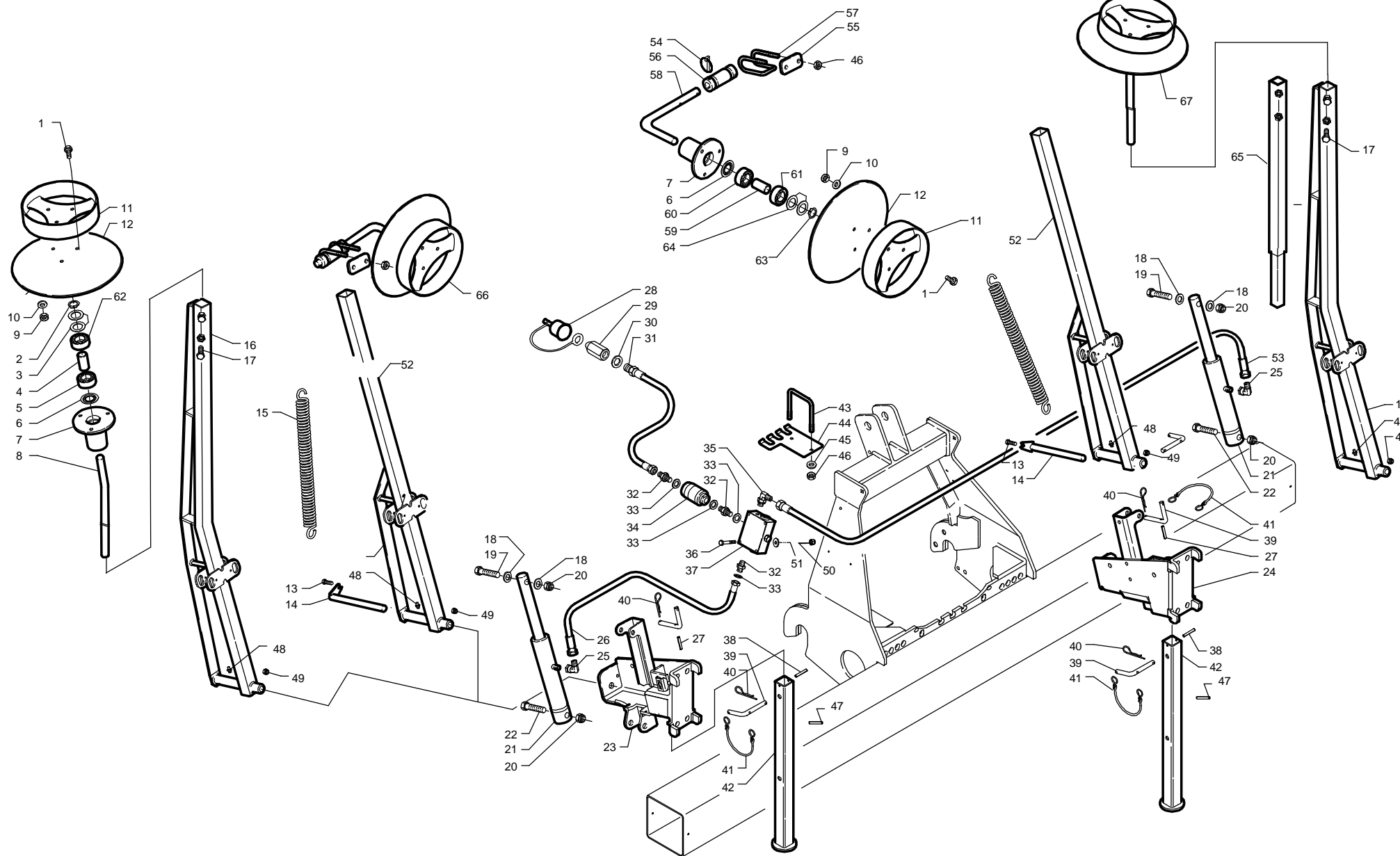
S.N.



S.N.

Pos.	Code	Description	Quantity
1	020.053	TE M8x30 8.8 ISO 4017 ZB SCREW	0
2	028.250	SEEGER RING E D. 25 7436 (HEAVY)	0
3	028.301	RING "PS" 25X35X2 DIN 988	0
4	10036976	MARKER HUB SPACER DE.30X51,5 ZB	0
5	049.999	BEARING 6005 2RS1	0
6	050.500	RING NILOS JV 6204	0
7	10036975	MARKER DISC HUB NULON-NERO	0
8	10046166	MAIN MARKER SHAFT X CUS. ZB	0
9	021.114	SELFBLOCKING NUT M 8 7473 ZB	0
10	023.023	TAPER WASHER 8.5X20X3	0
11	10046185	COMP.S. RING ANTIAFFONDAMENTO VER	0
12	153365	MARKER DISC.325 VE	0
13	020.052	SCREW TE M 8X25 8.8 5739 ZB	0
14	10046160	COMP.S. MARKER PIN	0
15	10046190	SPRING	0
16	10046145	COMP.S. SHAPED LONG ARM RH/LF VIR	0
17	020.200	SCREW TE M 14X30 8.8 5739 ZB	0
18	020.263	TE M16x80 8.8 ISO 4014 ZB SCREW	0
19	023.045	FLAT WASHER M16=17X30X3 6592 ZB	0
20	021.123	SELFBLOCKING NUT M 14 7473 ZB	0
21	10046170	CULINDER TUFFANTE VE.NERO	0
22	020.257	SCREW TE M16X 90 8.8 5737 ZB	0
23	10046121	COMP.S. ARM HOLDING BOX LF VER	0
24	10046120	COMP.S. ARM HOLDING BOX RH VER	0
25	060.178	CONNECTOR COMP. 90° M 1/4"+F GIR.1/4"	0
26	10035214	FLEXPIPE R1 FD 1/4"+FD 1/4"L=3000	0
27	024.335	ELASTIC PIN D.6X35 6873 INOX	0
28	095.023	CAP PL.FOR CONNec. RAP.M.-FEM.1/2" ROSSO	0
29	060.380	FAST CLUTCH MASC.1/2 ZN AERT.A060MG08DIN	0
30	060.402	COPPER WASHER 1/2" 21,5X27X1,5	0
31	10005240	PIPE FLEX 1/4"-FD 1/4"XMD 1/2" L=2000	0
32	060.199	NIPPLE 1/4"	0
33	060.400	COPPER WASHER 1/4" 13,5X19X1,5	0
34	061.026	ONE-WAY VALVE DA 1/4"	0
35	058.311	CRANK 90° M-M WITH TURNING NUT 1/4"	0
36	020.020	TE M6x60 8.8 ISO 4014 ZB SCREW	0
37	061.302	OLEOSTAR VALVE VAPS/14	0
38	024.346	ELASTIC PIN D. 6X50 6873 NE	0
39	10016918	FOOT BLOCKING PIN ZB	0
40	024.002	ELASTIC SPLIT PIN D.3,2 8833-A ZB	0

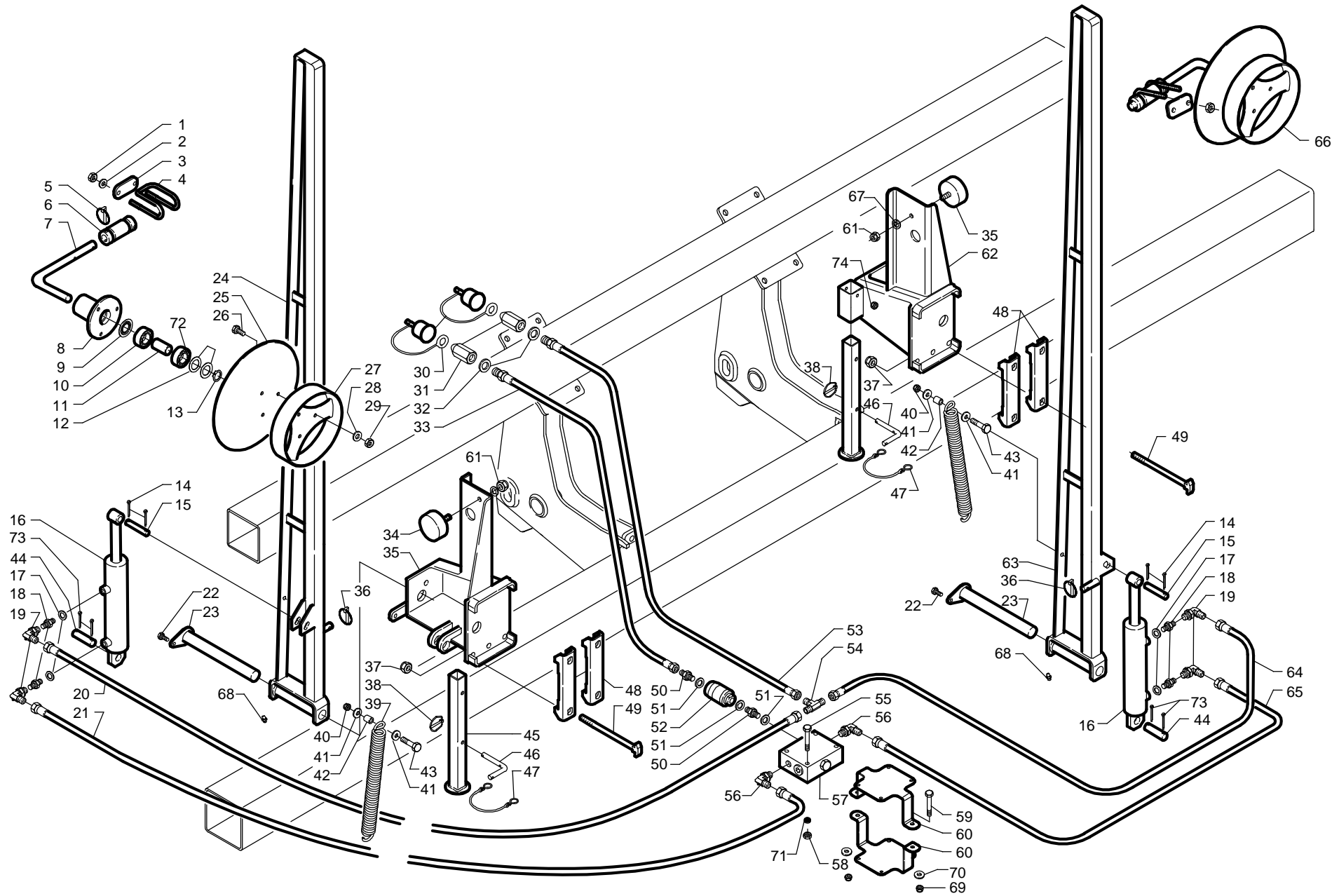
S.N.



S.N.

Pos.	Code	Description	Quantity
41	024.080	RUBBER TIE-ROD WITH SMALL HOOKS L=240	0
42	10046175	COMP.S. MARKER FOOT V.4	0
43	156107	U-BOLT M10 FIX. SUPPORT ZB	0
44	10040400	TUBES SUPPORT ZB	0
45	023.030	FLAT WASHER M10=10,5X20X2 6592 ZB	0
46	021.112	SELFBLOCKING NUT M 10 7473 ZB	0
47	024.348	ELASTIC PIN D. 6X22 6873 NE	0
48	022.001	GREASE DEVICE M 6X1 UNI 7663A DIR.ZB	0
49	021.114	SELFBLOCKING NUT M 8 7473 ZB	0
50	021.115	SELFBLOCKING NUT M 6 7473 ZB	0
51	023.010	FLAT WASCHER M6=6,3X12X1,6 6592 ZB	0
52	10046140	COMP.F. SHORT MARKER ARM FH/KF	0
53	10035213	FLEXPIPE R1 FD 1/4 +FDL=3500	0
54	024.015	CLICK PIN D.6 B=48 ZG	0
55	10016932	PLATE ZB	0
56	10036971	SHAFT SUPPORT TUBE ZB	0
57	10036972	MARKER FIXING U-BOLT ZB	0
58	10016949	ROPE DRIVE LEFT ZB	0
59	10036977	MARKER HUB SPACER. DE.26,9X49,5 ZB	0
60	050.007	BEARING 20X47X14 6204-2RS	0
61	050.126	BEARING 6304-2RS	0
62	050.010	BEARING 6205-2RS	0
63	028.240	RING SEEGER E D. 20 7436 (PESANTE)	0
64	028.302	RING TYPE "PS" 20X28X1 DIN988	0
65	10046115	EXSTENSION ROW MARKER	0
66	10036974	COMP. MARKER DISC	0
67	10036980		0

S.N.



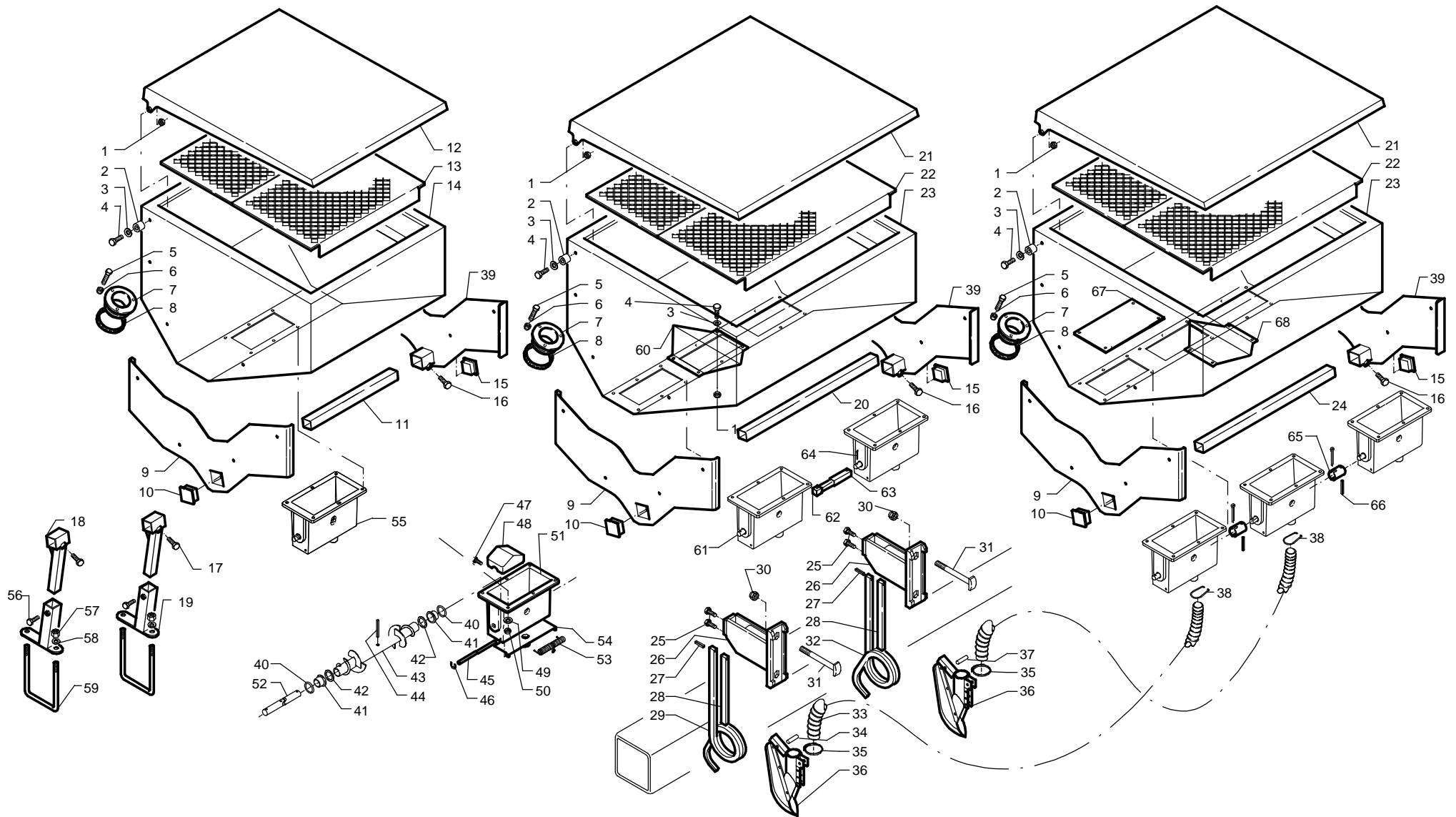
S.N.

Pos.	Code	Description	Quantity
1	021.112	SELFBLOCKING NUT M 10 7473 ZB	0
2	023.030	FLAT WASHER M10=10,5X20X2 6592 ZB	0
3	10016932	PLATE ZB	0
4	10036972	MARKER FIXING U-BOLT ZB	0
5	024.015	CLICK PIN D.6 B=48 ZG	0
6	10036971	SHAFT SUPPORT TUBE ZB	0
7	10016949	ROPE DRIVE LEFT ZB	0
8	10036975	MARKER DISC HUB NULON-NERO	0
9	050.500	RING NILOS JV 6204	0
10	050.007	BEARING 20X47X14 6204-2RS	0
11	10036977	MARKER HUB SPACER. DE.26,9X49,5 ZB	0
12	028.302	RING TYPE "PS" 20X28X1 DIN988	0
13	028.240	RING SEEGER E D. 20 7436 (PESANTE)	0
14	024.236	COVER D.5 X32 ZB 1336	0
15	10036147		0
16	10036145	CYLINDER	0
17	060.400	COPPER WASHER 1/4" 13,5X19X1,5	0
18	060.199	NIPPLE 1/4"	0
19	060.178	CONNECTOR COMP. 90° M 1/4"+F GIR.1/4"	0
20	10035212	FLEXPIPE R1 FD 1/4"+FD 1/4" L=4500	0
21	10035212	FLEXPIPE R1 FD 1/4"+FD 1/4" L=4500	0
22	020.052	SCREW TE M 8X25 8.8 5739 ZB	0
23	10036150		0
24	10036136	COMP.S. ARM RIGHT	0
25	153365	MARKER DISC.325 VE	0
26	020.053	TE M8x30 8.8 ISO 4017 ZB SCREW	0
27	10046185	COMP.S. RING ANTIAFFONDAMENTO VER	0
28	023.023	TAPER WASHER 8.5X20X3	0
29	021.114	SELFBLOCKING NUT M 8 7473 ZB	0
30	095.023	CAP PL.FOR CONNec. RAP.M.-FEM.1/2" ROSSO	0
31	060.380	FAST CLUTCH MASC.1/2 ZN AERT.A060MG08DIN	0
32	060.402	COPPER WASHER 1/2" 21,5X27X1,5	0
33	10005240	PIPE FLEX 1/4"-FD 1/4"XMD 1/2" L=2000	0
34	095.303		0
35	10036111	COMP.S. MARKER SUPPORT LF VER	0
36	024.010	CLICK PIN D. 10 B=60 ZG	0
37	021.120	SELFBLOCKING NUT M 14 7473 ZB	0
38	024.011	CLICK PIN D.10 B=60 ZG	0
39	10046190	SPRING	0
40	021.112	SELFBLOCKING NUT M 10 7473 ZB	0

S.N.

Pos.	Code	Description	Quantity
41	023.027	FLAT WASHER M 10=11 X30X2,5 6593 ZB	0
42	10036149		0
43	020.105	SCREW TE M 10X45 8.8 5737 ZB	0
44	10036146		0
45	10046175	COMP.S. MARKER FOOT V.4	0
46	10016918	FOOT BLOCKING PIN ZB	0
47	024.080	RUBBER TIE-ROD WITH SMALL HOOKS L=240	0
48	10017102	FRONT LINKAGE	0
49	10011025	SCREW WITH STEADY RESET HEAD M14 D.320A	0
50	060.199	NIPPLE 1/4"	0
51	060.400	COPPER WASHER 1/4" 13,5X19X1,5	0
52	061.026	ONE-WAY VALVE DA 1/4"	0
53	10005240	PIPE FLEX 1/4"-FD 1/4"XMD 1/2" L=2000	0
54	060.187		0
55	020.042	TEAR RIVET UNI9200-A-4-9-P-ALMG5	0
56	058.311	CRANK 90° M-M WITH TURNING NUT 1/4"	0
57	061.302	OLEOSTAR VALVE VAPS/14	0
58	021.115	SELFBLOCKING NUT M 6 7473 ZB	0
59	020.052	SCREW TE M 8X25 8.8 5739 ZB	0
60	10036160	PLATE EXCHANGE VALVE HOLDER	0
61	021.113	SELFBLOCKING NUT M 12 7473 ZB	0
62	10036110	COMP.S.MARKER SUPPORT RH VER	0
63	10036137	COMP.S. ARM LEFT	0
64	10035213	FLEXPIPE R1 FD 1/4 +FDL=3500	0
65	10035213	FLEXPIPE R1 FD 1/4 +FDL=3500	0
66	10036974	COMP. MARKER DISC	0
67	023.040	FLAT WASHER M12=13 X24X2,5 6592 ZB	0
68	021.114	SELFBLOCKING NUT M 8 7473 ZB	0
69	023.020	FLAT WASCHER M 8=8,4X16X1,6 6592 ZB	0
70	021.114	SELFBLOCKING NUT M 8 7473 ZB	0
71	023.010	FLAT WASCHER M6=6,3X12X1,6 6592 ZB	0
72	050.126	BEARING 6304-2RS	0
73	024.249	COVER D. 6,3X 40 ZB 1336	0
74	021.114	SELFBLOCKING NUT M 8 7473 ZB	0

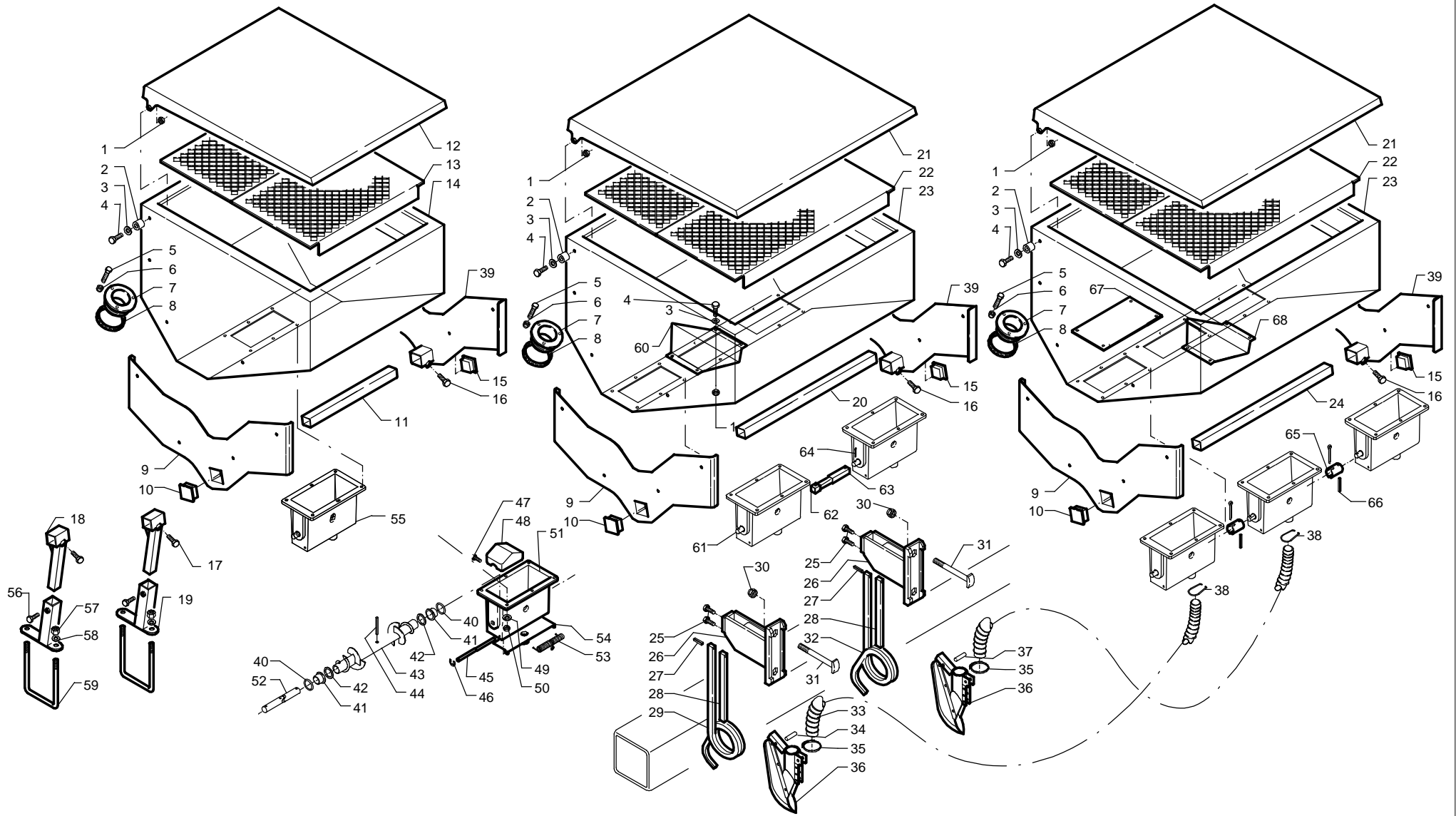
S.N.



S.N.

Pos.	Code	Description	Quantity
1	021.406	SELFBLOCKING NUT M 6 7473 INOX	0
2	10017142	SPACER ZB	0
3	022.706	FLAT WASHER M6=6,3X12X1,6 6592 INOX	0
4	021.816	SCREW TE M 6X20 8.8 5739 A2.70 INOX	0
5	021.820	SCREW TE M5X20 8.8 5739 INOX	0
6	021.100	SELFBLOCKING NUT M 5 7474 ZB	0
7	10017138	COMP. S. FERTILISER DISCHARGING TUBE	0
8	10017139	PIPE UNION PLUG PVC	0
9	10027070	COMP.S. FERTILIZER SIDE LF	0
10	095.077	PIPE CAP Q. 40 S.5 POL. BLACK	0
11	10027158		0
12	10027036		0
13	10027034	SIEVE 560 VM	0
14	10027030		0
15	095.077	PIPE CAP Q. 40 S.5 POL. BLACK	0
16	020.151	SCREW TE M12X 25 8.8 5739 ZB	0
17	020.151	SCREW TE M12X 25 8.8 5739 ZB	0
18	10027140	COMP.S. FERTILIZER TELESC. SUPPORT VIR	0
19	10027120	COMP.S. FERTILIZER SUPPORT VIR	0
20	10027156	TANSVERSAL TANK TUBE	0
21	10027016	COMP.S. FERTILIZER COVER 800 VM	0
22	10027026	SIEVE	0
23	10027002	COMP.S. FERTILIZER TANK 800 INOX	0
24	10027156	TANSVERSAL TANK TUBE	0
25	020.252	SCREW TE M 16X30 8.8 5739 ZB	0
26	10017101	COMP.S. FERTILIZER COULTER HAY-CUTTER F.	0
27	024.345	ELASTIC PIN D.6X40 6873 NE	0
28	10017113	SQUARE FOR COULTER SPRING VEN	0
29	10017114	COULTER SPRING RIGHT (20X20) VER	0
30	021.105	SELFBLOCKING NUT M 14 7474 ZB	0
31	10011025	SCREW WITH STEADY RESET HEAD M14 D.320A	0
32	10017108	SPRING FOR LEFT COULTER (20X20) VER	0
33	083.601	PIPE WIND WITH SPIRAL PVC DI.40	0
34	024.425	EL. SPRI. PIN D.8X30 6875 NE	0
35	025.501	BLACK BANDS L=300 SP.4	0
36	10017109	COMP.S. FERTILIZ. COULTER HAY-CUTT. FORM	0
37	083.601	PIPE WIND WITH SPIRAL PVC DI.40	0
38	10027286	AIR SPRING ZB	0
39	10027080	COMP.S. FERTILIZER SIDE RH	0
40	046.022		0

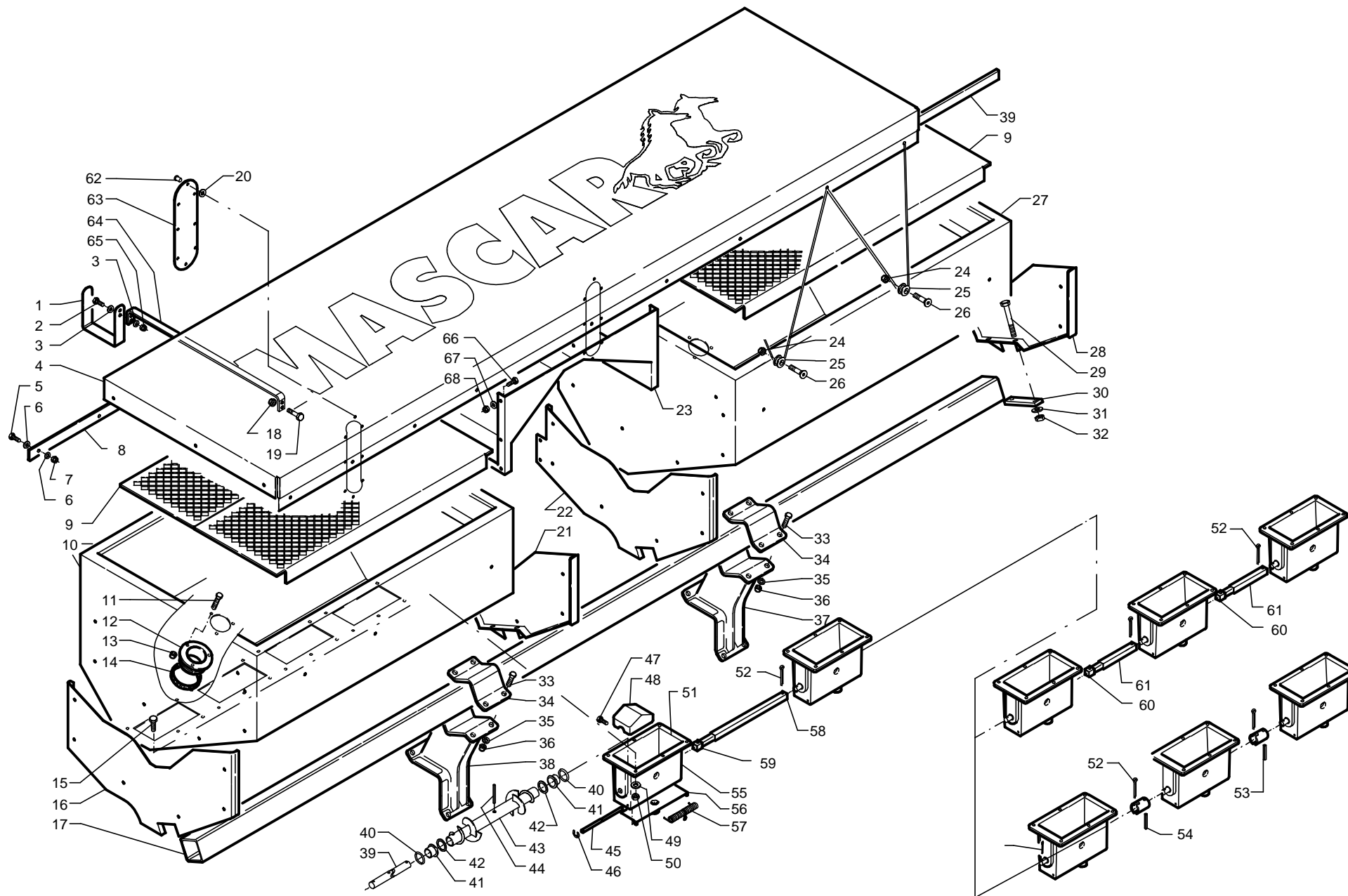
S.N.



S.N.

Pos.	Code	Description	Quantity
41	10037632	FERLIZER BRASS 16,2X22X28X3,5X22BRONZE	0
42	023.055	FLAT WASHER M16=17 X30X3 6592 INOX	0
43	10027217	COMP.S. BIGGER FERTILIZER AUGER BLACK	0
44	024.355	ELASTIC PIN D. 6X55 6873 INOX	0
45	10027234	DOOR HOLDING SHAFT ZB	0
46	028.097	SEEGER RING E D. 8 7435/471	0
47	021.816	SCREW TE M 6X20 8.8 5739 A2.70 INOX	0
48	10027230	BODY COVER	0
49	022.706	FLAT WASHER M6=6,3X12X1,6 6592 INOX	0
50	021.406	SELFBLOCKING NUT M 6 7473 INOX	0
51	10027206	COMP.M. FERTILIZER DITRIBUTOR D.40	0
52	10027214	DISTRIBUTOR SHAFT (INOX 304)	0
53	10027236	DOOR SPRING ZB	0
54	10027235		0
55	10027210	FERTILIZER DISTRIBUTOR VEP CL	0
56	021.151	SELFBLOCKING NUT M 12X1,25 PF 7474 ZB	0
57	021.120	SELFBLOCKING NUT M 14 7473 ZB	0
58	023.035	FLAT WASHER M14=15 X28X2,5 6592 ZB	0
59	10000250	U-BOLT M14 ZB	0
60	10027022	TRANSFORMATION 3-2 OPENINGS	0
61	10027206	COMP.M. FERTILIZER DITRIBUTOR D.40	0
62	10027270	COMP.S. TRANSM. INT. UNTHREAD ZB	0
63	10027280	TRANSMISS. EST. UNTHREAD ZB	0
64	024.236	COVER D.5 X32 ZB 1336	0
65	10027278	BODY JOINT BUSHING ZB	0
66	024.335	ELASTIC PIN D.6X35 6873 INOX	0
67	10027024	MIDDLE EXIT CLOSING INOX	0
68	10027110	.SWITCH	0

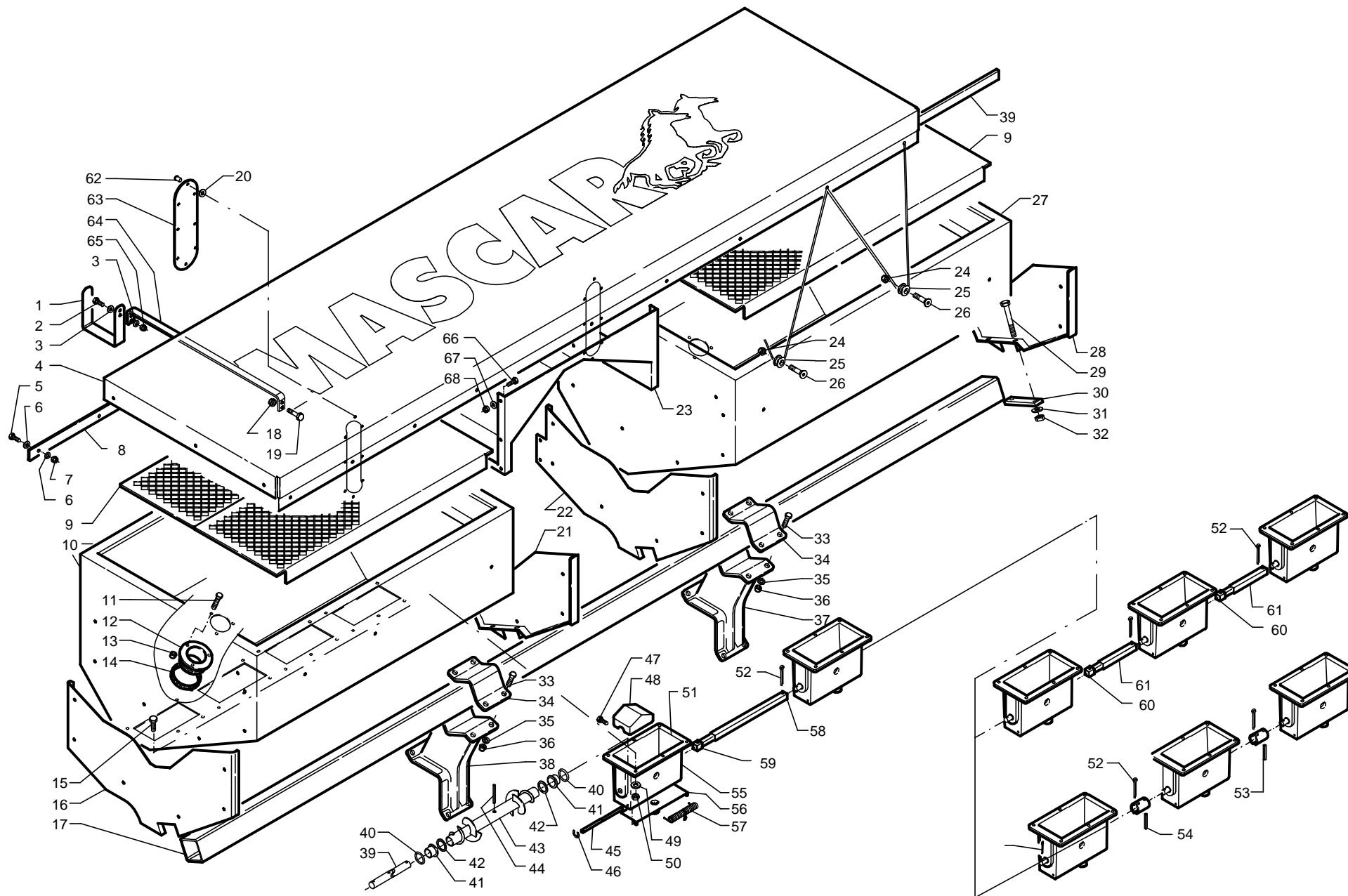
S.N.



S.N.

Pos.	Code	Description	Quantity
1	10037027		0
2	020.013	TE M6x25 8.8 ISO 4017 ZB SCREW	0
3	023.010	FLAT WASCHER M6=6,3X12X1,6 6592 ZB	0
4	10027697	M COMP. PVC TARPAULIN + ELASTI+ RUD HEAD	0
4	10037023		0
5	020.012	TE M6x20 8.8 ISO 4017 ZB SCREW	0
6	022.706	FLAT WASHER M6=6,3X12X1,6 6592 INOX	0
7	021.115	SELFBLOCKING NUT M 6 7473 ZB	0
8	10027691		0
8	10037024		0
9	10027100	SIEVE	0
9	10037026		0
10	10037010		0
10	10037060	SOL. C. LEFT FERTILIZER TANK 950L-4EXITS	0
11	021.820	SCREW TE M5X20 8.8 5739 INOX	0
12	10017138	COMP. S. FERTILISER DISCHARGING TUBE	0
13	021.100	SELFBLOCKING NUT M 5 7474 ZB	0
14	10017139	PIPE UNION PLUG PVC	0
15	021.816	SCREW TE M 6X20 8.8 5739 A2.70 INOX	0
16	10027871		0
17	10027783		0
17	10037022		0
18	021.114	SELFBLOCKING NUT M 8 7473 ZB	0
19	020.050	SCREW TE M 8X16 8.8 5739 ZB	0
20	023.007	FLAT WASHER M 4= 4,3X 9X0,8 6592 ZB	0
21	10022866		0
22	10027870		0
23	10027860		0
24	021.406	SELFBLOCKING NUT M 6 7473 INOX	0
25	025.420		0
26	020.658	SCREW TSPEI M 6X25 10.9 5933 ZB	0
27	10037011		0
27	10037061	SOL. C. RIGHT FERTILIZ. TANK 950L-4EXITS	0
28	10027865		0
29	020.112	SCREW TE M 10X120 8.8 5737 ZB	0
30	10027878		0
31	023.030	FLAT WASHER M10=10,5X20X2 6592 ZB	0
32	021.112	SELFBLOCKING NUT M 10 7473 ZB	0
33	020.202	SCREW TE M14X 50 8.8 5737 ZB	0
34	10027784	SMALL SIDE HOLDING BRACKET	0

S.N.



S.N.

Pos.	Code	Description	Quantity
35	023.035	FLAT WASHER M14=15 X28X2,5 6592 ZB	0
36	021.120	SELFBLOCKING NUT M 14 7473 ZB	0
37	10037020	SOLDERED COMP. 750L TANK BRACKET SUPPORT	0
38	10037020	SOLDERED COMP. 750L TANK BRACKET SUPPORT	0
39	10027693		0
39	10037025		0
40	046.020	OR 3043 (D=2,62 D=10,78)	0
41	10037630	FERTILIZER BRASS 16X22X28X3,5X22	0
42	023.055	FLAT WASHER M16=17 X30X3 6592 INOX	0
43	10027217	COMP.S. BIGGER FERTILIZER AUGER BLACK	0
44	024.355	ELASTIC PIN D. 6X55 6873 INOX	0
45	10027234	DOOR HOLDING SHAFT ZB	0
46	028.097	SEEGER RING E D. 8 7435/471	0
47	021.816	SCREW TE M 6X20 8.8 5739 A2.70 INOX	0
48	10027230	BODY COVER	0
49	022.706	FLAT WASHER M6=6,3X12X1,6 6592 INOX	0
50	021.406	SELFBLOCKING NUT M 6 7473 INOX	0
51	10027210	FERTILIZER DISTRIBUTOR VEP CL	0
52	024.236	COVER D.5 X32 ZB 1336	0
53	024.355	ELASTIC PIN D. 6X55 6873 INOX	0
54	10027278	BODY JOINT BUSHING ZB	0
55	10027206	COMP.M. FERTILIZER DITRIBUTOR D.40	0
56	10027235		0
57	10027236	DOOR SPRING ZB	0
58	10027260	CEN.FERTILISER EXT.TUBE ZB	0
59	10027254	COMP.S.FERTIL. CENT. INT. UNTHREAD ZB	0
60	10027270	COMP.S. TRANSM. INT. UNTHREAD ZB	0
61	10027280	TRANSMISS. EST. UNTHREAD ZB	0
62	029.002	RIVET ALLUMINIUM D 4X15	0
63	10027695	FERTILIZER DISPLAY	0
64	10027874		0
65	021.406	SELFBLOCKING NUT M 6 7473 INOX	0
66	020.051	SCREW TE M 8X20 8.8 5739 ZB	0
67	023.020	FLAT WASCHER M 8=8,4X16X1,6 6592 ZB	0
68	021.114	SELFBLOCKING NUT M 8 7473 ZB	0

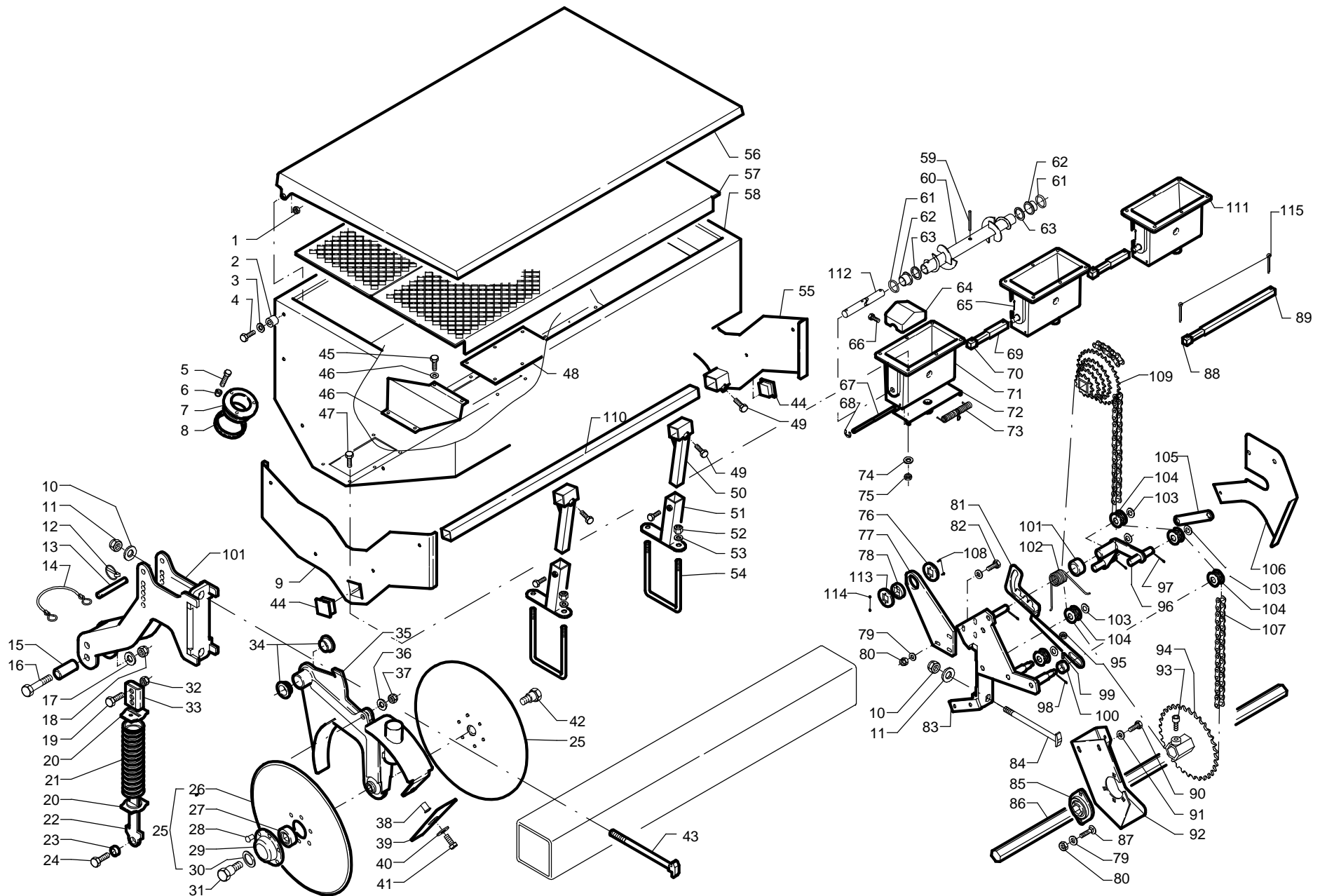
S.N.

Pos.	Code	Description	Quantity
1	021.406	SELFBLOCKING NUT M 6 7473 INOX	0
2	10017142	SPACER ZB	0
3	022.706	FLAT WASHER M6=6,3X12X1,6 6592 INOX	0
4	021.816	SCREW TE M 6X20 8.8 5739 A2.70 INOX	0
5	021.820	SCREW TE M5X20 8.8 5739 INOX	0
6	021.100	SELFBLOCKING NUT M 5 7474 ZB	0
7	10017138	COMP. S. FERTILISER DISCHARGING TUBE	0
8	10017139	PIPE UNION PLUG PVC	0
9	10027070	COMP.S. FERTILIZER SIDE LF	0
10	023.025	FLAT WASHER M12=14X36X3 6593 ZB	0
11	021.120	SELFBLOCKING NUT M 14 7473 ZB	0
12	024.016	RELEASE PIN D. 4,5 ZG	0
13	10037886	PIN FOR SPRING GUIDING BAR ZBD	0
14	024.080	RUBBER TIE-ROD WITH SMALL HOOKS L=240	0
15	10037825	OSCILLATION BUSH 25X56X16 ZB	0
16	020.057	SCREW TE M 8X50 8.8 5737 ZB	0
17	023.045	FLAT WASHER M16=17X30X3 6592 ZB	0
18	021.123	SELFBLOCKING NUT M 14 7473 ZB	0
19	020.066	TE M8x30 8.8 ISO 4014 ZB SCREW	0
20	10037928	COMP.S. SPRING GUIDE PLATE	0
21	10037866	SPRING	0
22	10037910	GUIDE ROD SPRING COMPRESSION "S" VEN	0
23	10037916	BUSH FOR SPRING DRIVING BAR ZB	0
24	020.155	TE M12x50 8.8 ISO 4014 ZB SCREW	0
25	10037660	COMP.M. LISTE4R DISC	0
26	10037604	COULTER DISC D.354-S.3(27.8)VEN	0
27	050.105	BEARING 3204-2RS1	0
28	023.842	RIVET FE TT D.6X16 UNI 748	0
29	30031204	DISC HUB	0
30	050.500	RING NILOS JV 6204	0
31	30031206	DISC FIXING FLANGED SCREW LEFT ZB	0
32	021.114	SELFBLOCKING NUT M 8 7473 ZB	0
33	10037920	COMP.S. SPRING GUIDE INDICATOR	0
34	052.355	FLANGE BUSHING MU TFF 25X30X40 H=16 *	0
35	10037854	COMP.S. DISCS SUPORT S. RH D.40	0
36	023.040	FLAT WASHER M12=13 X24X2,5 6592 ZB	0
37	021.113	SELFBLOCKING NUT M 12 7473 ZB	0
38	023.924	RIVET TC UNI 9201-B M10-8	0
39	10037890	INTERN. SCAPER CAT. NERA	0
40	023.027	FLAT WASHER M 10=11 X30X2,5 6593 ZB	0

S.N.

Pos.	Code	Description	Quantity
41	020.101	SCREW TE M 10X25 8.8 5739 ZB	0
42	30031205	DISC FIXING FLANGED SCREW RIGHT ZB	0
43	10011025	SCREW WITH STEADY RESET HEAD M14 D.320A	0
44	095.077	PIPE CAP Q. 40 S.5 POL. BLACK	0
45	021.816	SCREW TE M 6X20 8.8 5739 A2.70 INOX	0
46	022.706	FLAT WASHER M6=6,3X12X1,6 6592 INOX	0
47	020.151	SCREW TE M12X 25 8.8 5739 ZB	0
48	10027024	MIDDLE EXIT CLOSING INOX	0
49	020.151	SCREW TE M12X 25 8.8 5739 ZB	0
50	10027140	COMP.S. FERTILIZER TELESC. SUPPORT VIR	0
51	10027120	COMP.S. FERTILIZER SUPPORT VIR	0
52	021.120	SELFBLOCKING NUT M 14 7473 ZB	0
53	023.035	FLAT WASHER M14=15 X28X2,5 6592 ZB	0
54	10000250	U-BOLT M14 ZB	0
55	10027080	COMP.S. FERTILIZER SIDE RH	0
56	10027090	COMP.S. FERTILIZER COVER 1200 VN	0
57	10027100	SIEVE	0
58	10027050	COMP.S. FERTILIZER TANK I 1200 INOX	0
59	024.355	ELASTIC PIN D. 6X55 6873 INOX	0
60	10027217	COMP.S. BIGGER FERTILIZER AUGER BLACK	0
61	046.022		0
62	10037632	FERLIZER BRASS 16,2X22X28X3,5X22BRONZE	0
63	023.055	FLAT WASHER M16=17 X30X3 6592 INOX	0
64	10027230	BODY COVER	0
65	024.236	COVER D.5 X32 ZB 1336	0
66	021.816	SCREW TE M 6X20 8.8 5739 A2.70 INOX	0
67	10027234	DOOR HOLDING SHAFT ZB	0
68	028.097	SEEGER RING E D. 8 7435/471	0
69	10027276	TRANSMISS. EST. UNTHREAD ZB	0
70	10027270	COMP.S. TRANSM. INT. UNTHREAD ZB	0
71	10027210	FERTILIZER DISTRIBUTOR VEP CL	0
72	10027235		0
73	10027236	DOOR SPRING ZB	0
74	022.706	FLAT WASHER M6=6,3X12X1,6 6592 INOX	0
75	021.406	SELFBLOCKING NUT M 6 7473 INOX	0
76	10037468	DISC RIGHT ZB	0
77	10037464	TRANSMISSION SUPPORT VEN	0
78	10037466	BUSHING	0
79	023.020	FLAT WASCHER M 8=8,4X16X1,6 6592 ZB	0
80	021.114	SELFBLOCKING NUT M 8 7473 ZB	0

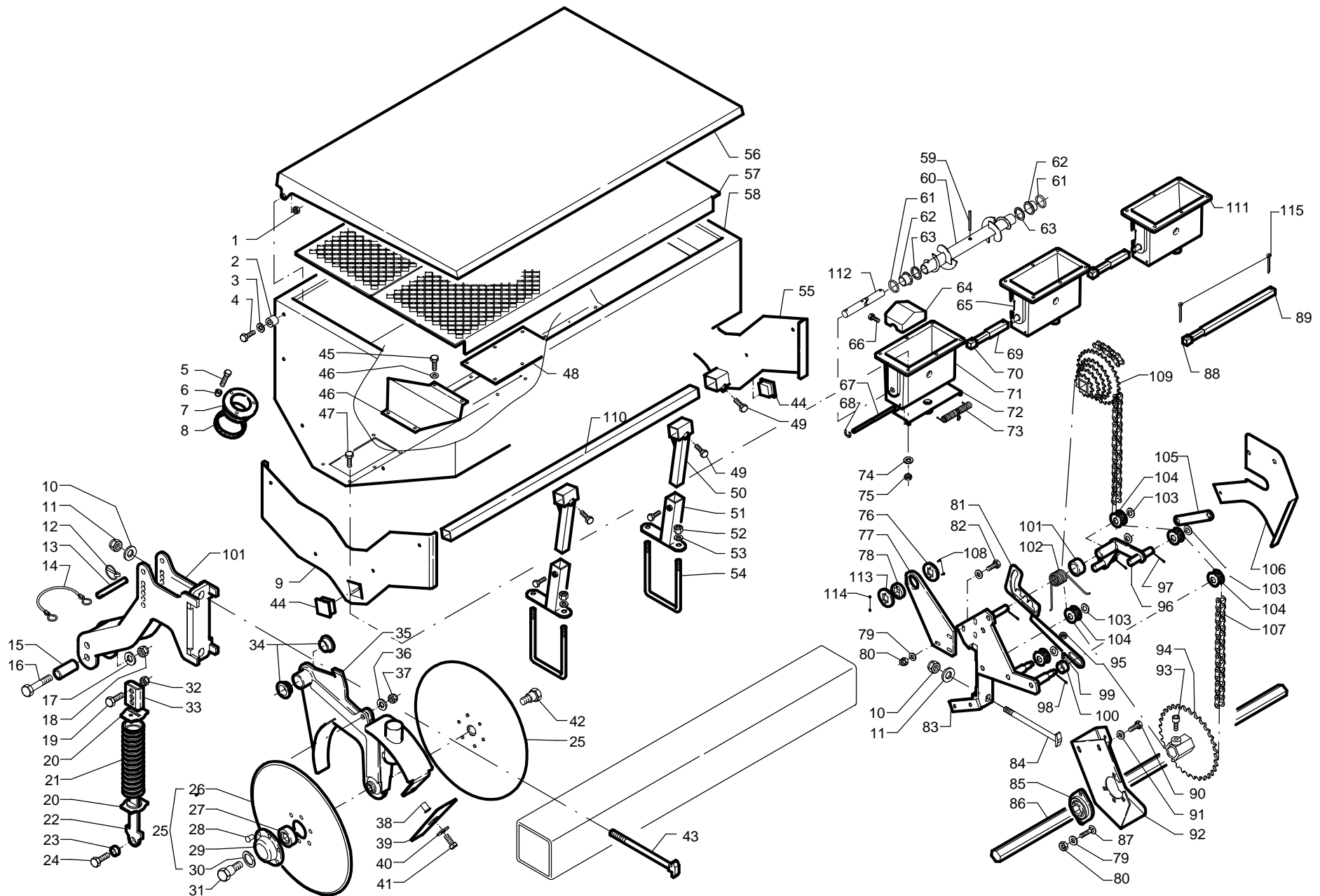
S.N.



S.N.

Pos.	Code	Description	Quantity
81	10027478	LIMIT LINE CORSA	0
82	020.054	SCREW TE M 8X35 8.8 5739 ZB	0
83	10037450	COMP.S. SUPPORT TRASM. SPANDI VEN	0
84	10011025	SCREW WITH STEADY RESET HEAD M14 D.320A	0
85	10022730	COMP. M. FLANGE PFL 205 +BEAR. EX.19,1	0
86	10002313	TRASMISSION HEXAGON 1150 ZB	0
86	10002318	TRASMISSION HEXAGON 1800 ZB	0
86	10002320	TRASMISSION HEXAGON 2000 ZB	0
86	10002322	TRASMISSION HEXAGON 2250 ZB	0
86	10002325	TRASMISSION HEXAGON 2500 ZB	0
86	10002331	TRASMISSION HEXAGON 3190 ZB	0
86	10002332	TRASMISSION HEXAGON 3250 ZB	0
86	10002335	TRASMISSION HEZAGON 3500 ZB	0
86	10002340	TRASMISSION HEXAGON 4000 ZB	0
86	10002342	TRASMISSION HEXAGON 4200 ZB	0
86	10002345		0
86	10002355	TRASMISSION HEXAGON 5500 ZB	0
86	10002365		0
87	020.601	SCREW TTQST M 8X 25 4.6 5731 ZB	0
88	10027254	COMP.S.FERTIL. CENT. INT. UNTHREAD ZB	0
89	10027260	CEN.FERTILISER EXT.TUBE ZB	0
90	020.051	SCREW TE M 8X20 8.8 5739 ZB	0
91	023.020	FLAT WASCHER M 8=8,4X16X1,6 6592 ZB	0
92	10027472	TRANSMISSION CASING PROTECTION	0
93	020.050	SCREW TE M 8X16 8.8 5739 ZB	0
94	10027426	COMP.S. LOWER 3 PINIONS SET ZB	0
95	021.034	NUT E 6S M 6 5588 NE	0
96	10027465	COMP.S. TIGHTENER ZB	0
97	024.233	COVER D. 4 X 20 ZB 1336	0
98	024.233	COVER D. 4 X 20 ZB 1336	0
99	026.104	GRAIN CE 12.9 M 6X20 5927	0
100	10027479	D.30 D. 20 COMPASS THREADED 6M	0
101	10037805	COMP.S. LISTER SUPPORT VIR	0
102	10027470	TIGHTENER SPRING ZB	0
103	023.025	FLAT WASCHER M12=14X36X3 6593 ZB	0
104	10027477	CHAIN TIHTENER ROLL Z=10 1/2"X5/16"	0
105	10027467	CHAIN GUIDE PLATE ZB	0
106	10027475	CHAIN PROTECION CASING	0
107	10027474	CHAIN 1/2"X3/16" 129 P.+G.	0
108	020.660	SCREW TSPEI M 4X25 10.9 5933 ZB	0

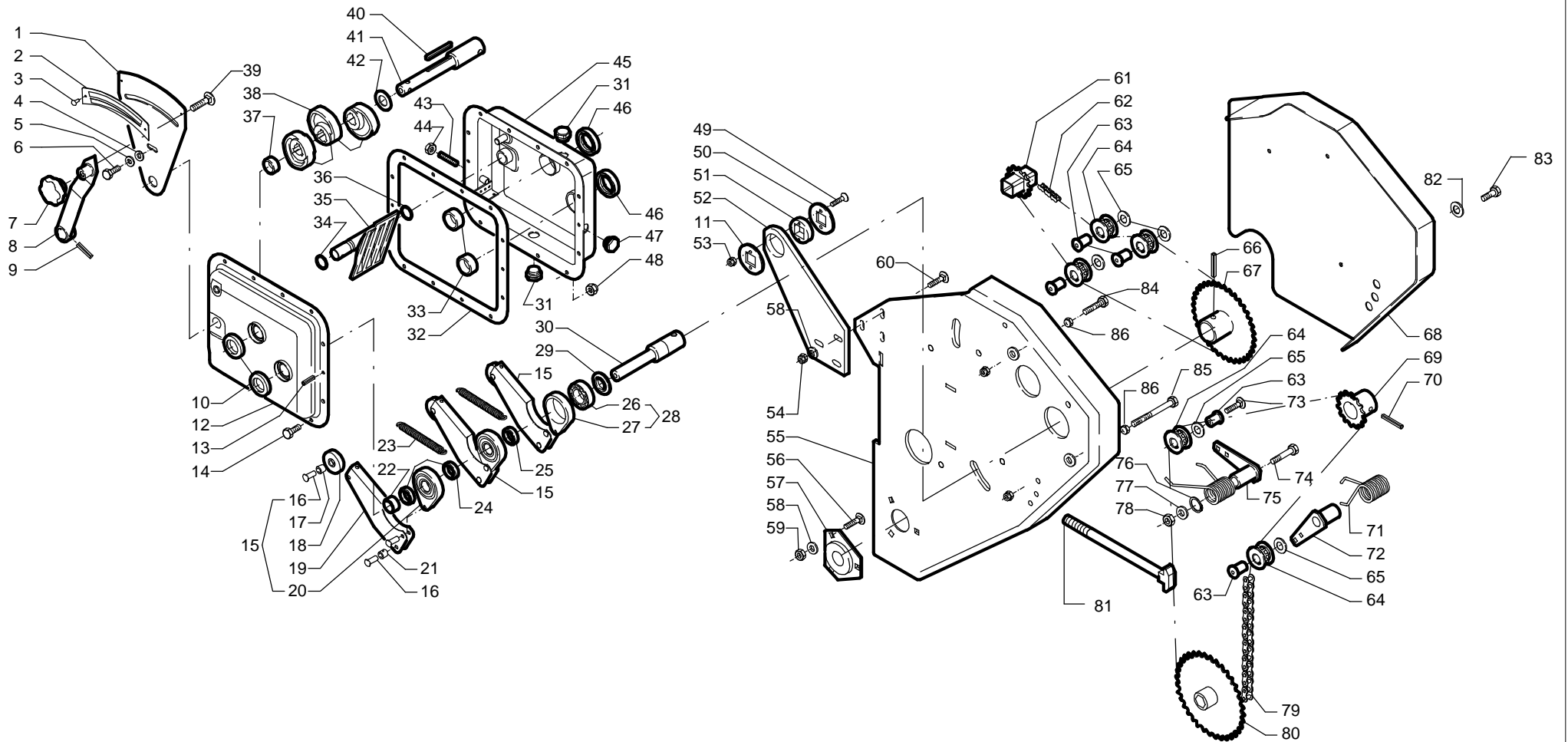
S.N.



S.N.

Pos.	Code	Description	Quantity
109	10027404	COMP.S. UPPER 5 PINIONS SET ZB	0
110	10027150		0
111	10027206	COMP.M. FERTILIZER DITRIBUTOR D.40	0
112	10027214	DISTRIBUTOR SHAFT (INOX 304)	0
113	10037470	DISC LF ZB	0
114	021.099	SELFBLOCKING NUT M 4 7473 ZB	0
115	024.236	COVER D.5 X32 ZB 1336	0

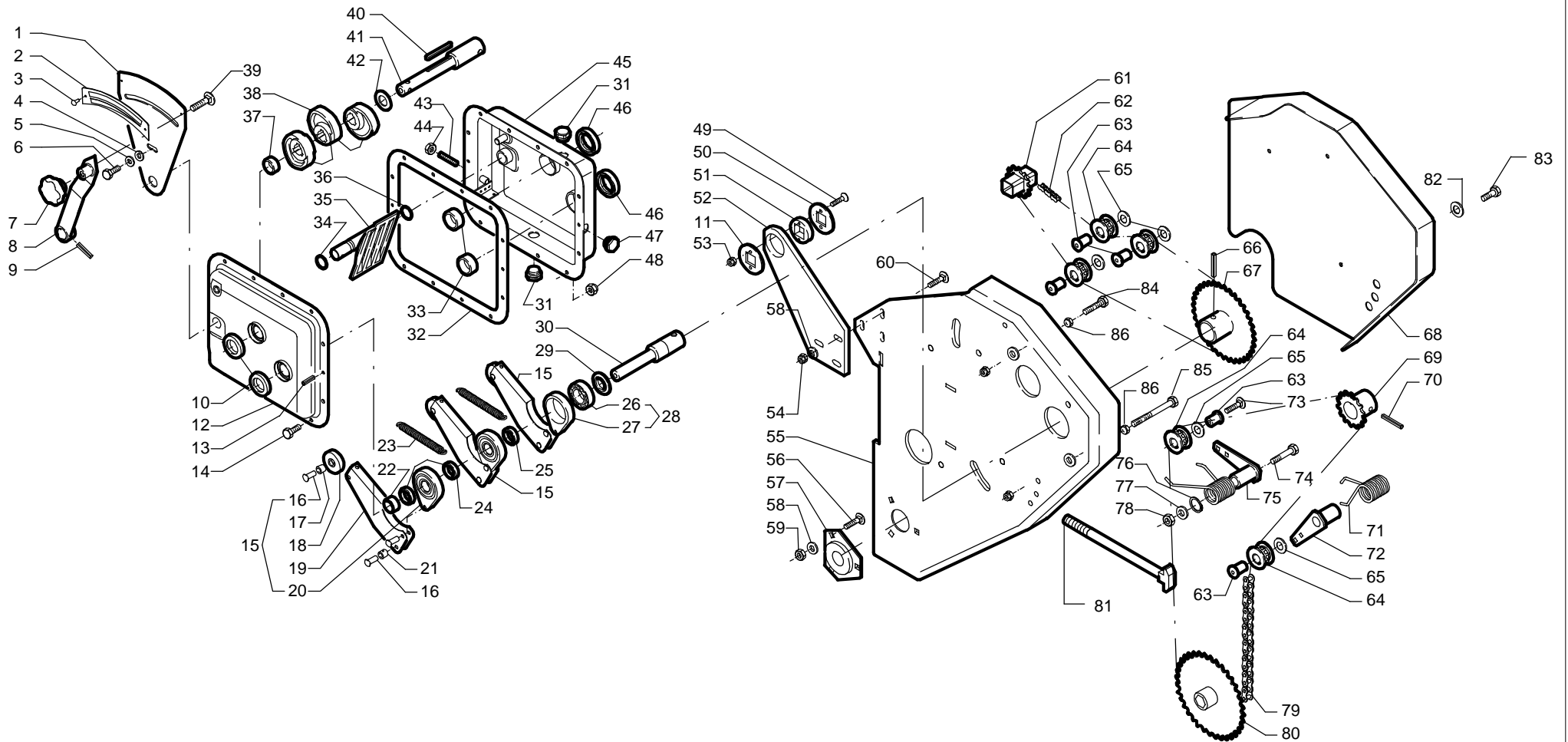
S.N.



S.N.

Pos.	Code	Description	Quantity
1	157305	SUPPORT NAMEPLATE ZB	0
2	157304	REGULATING PLATE	0
3	023828	RIVET TT 3.5X1/4 ZT	0
4	023.301	GROWER WASHER A M8-D. 8,4 1751 ZBD	0
5	023.020	FLAT WASCHER M 8=8,4X16X1,6 6592 ZB	0
6	020.051	SCREW TE M 8X20 8.8 5739 ZB	0
7	030556	HAND-WHEEL VB/50 M8 6 LOBI	0
8	157308	INDEX COMPOUND	0
9	024.344	ELASTIC PIN D.6X30 6873 NE	0
10	025128	SEAL RING 20X35X7	0
11	10037470	DISC LF ZB	0
12	157292	COMP. COVER GEARBOX VER	0
13	024.340	ELASTIC PIN D. 6X10 6873 NE	0
14	020.011	SCREW TE M6X16 8.8 5739 ZB	0
15	157322	CONROD COMPOUND CL+	0
16	156948		0
17	156949		0
18	156946		0
19	157303		0
20	157323		0
21	156950		0
22	156969	BUSHING MU TFP 20-23-15	0
23	156957	DRIVE SPRING CONNECT. ROAD	0
24	157328	KNOCK RING POSTERIOR SPASER . 20X30X5	0
25	157327	SPACER RING OF BEARINGS 20X30X4	0
26	050.091		0
27	157324		0
28	157323		0
29	157326	SLIDING SPACER RING 20X40X5	0
30	157325	SHAFT FREE WHEEL	0
31	030553	EXHAUST PLUG 20X1,5 ALL	0
32	157289	GEAR BOX GASKET	0
33	156952	BUSHING MU TFP 30-34-15	0
34	046.014	OR 119	0
35	157310	ADJUSTMENT SECTOR	0
36	046.014	OR 119	0
37	156969	BUSHING MU TFP 20-23-15	0
38	157307	CAM	0
39	020.576	SCREW TTQST M 8X 40 4.6 5731 ZB	0
40	027.105	JOINT SPLINE 6X 6X 60 6604/A	0

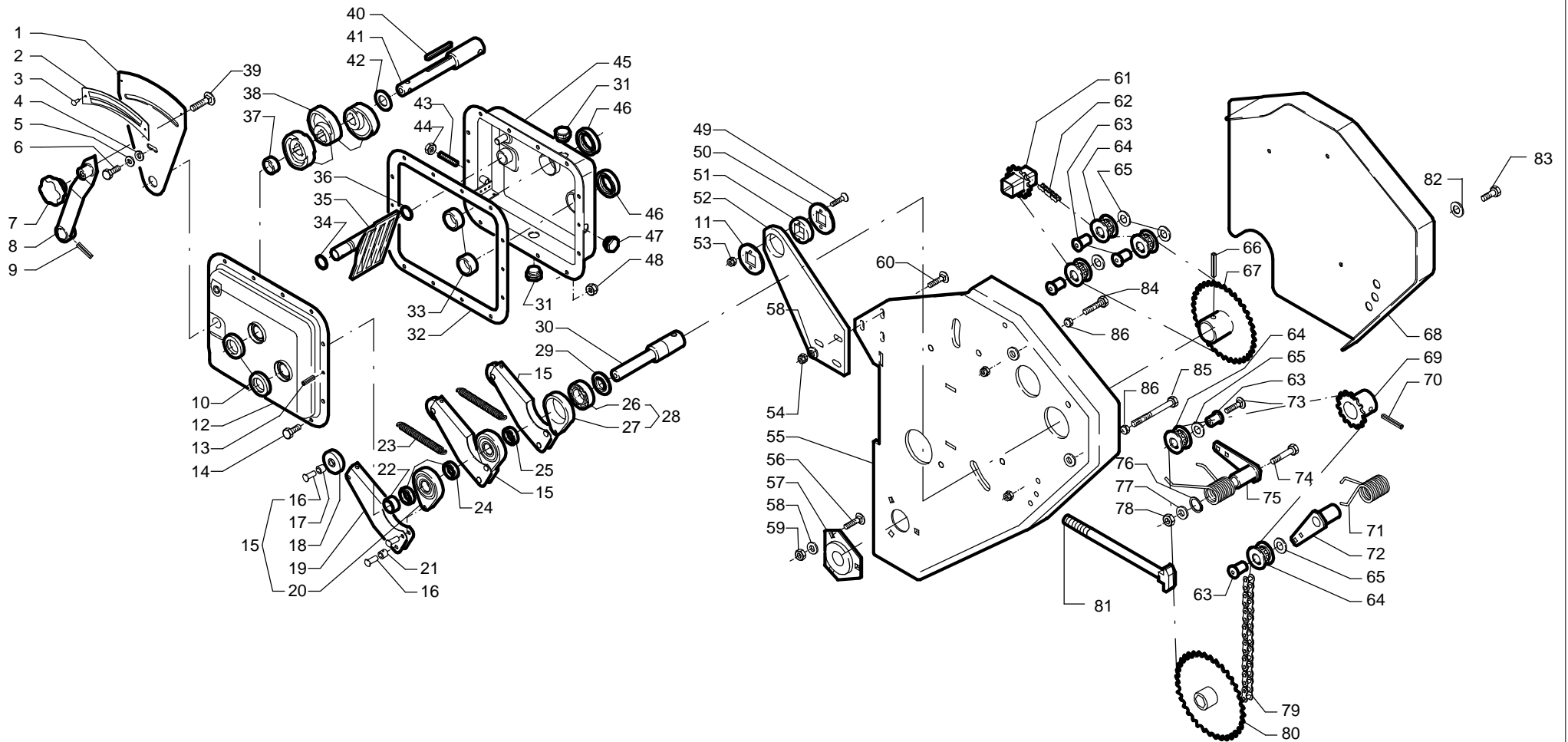
S.N.



S.N.

Pos.	Code	Description	Quantity
41	157306	CAM SHAFT	0
42	156976	THRUST BEARING WM 18 FBA	0
43	026.102	GRAIN CE 12.9 M 8X40 5923/A	0
44	021.003	NUT E 6S M 8 5588 ZB	0
45	157291	COMP. GEARBOX TEXAS VEN	0
46	025133	SEAL SPRING 30X47X10	0
47	030558	PLUG HFT. 14 M20X1,5	0
48	021.115	SELFBLOCKING NUT M 6 7473 ZB	0
49	020.660	SCREW TSPEI M 4X25 10.9 5933 ZB	0
50	10037468	DISC RIGHT ZB	0
51	10037466	BUSHING	0
52	10037464	TRANSMISSION SUPPORT VEN	0
53	021.099	SELFBLOCKING NUT M 4 7473 ZB	0
54	021.114	SELFBLOCKING NUT M 8 7473 ZB	0
55	10037680		0
56	020.052	SCREW TE M 8X25 8.8 5739 ZB	0
57	051.023	BEARING WITH SUPPORT SBPFD205	0
58	023.020	FLAT WASCHER M 8=8,4X16X1,6 6592 ZB	0
59	021.114	SELFBLOCKING NUT M 8 7473 ZB	0
60	020.598	TTQST M 8X 35 4.6 5731 ZB SCREW	0
61	10037765		0
62	10037692	SECODARY CHAIN 109 P + G ISO 083	0
63	10037698		0
64	10027477	CHAIN TIHTENER ROLL Z=10 1/2"X5/16"	0
65	023.006	FLAT WASHER M 6= 6,6X24X2 6593 ZB	0
66	024.364	ELASTIC PIN D. 8X45 6873 NE	0
67	10037722		0
68	10037688		0
69	10037720	PINION Z= 14 1/2"X3/16" X DIN 8180	0
70	024.364	ELASTIC PIN D. 8X45 6873 NE	0
71	10027470	TIGHTENER SPRING ZB	0
72	10037744		0
73	020.083	SCREW TTQST M 6X 25 4.6 5731 ZB	0
74	020.007	SCREW TE M 6X45 8.8 5739 ZB	0
75	10037744		0
76	028.306	RING "PS" 16X22X1 DIN 988	0
77	028.100	SEEGER D15 UNI7435 EXTERNAL	0
78	021.115	SELFBLOCKING NUT M 6 7473 ZB	0
79	10037690	PRIMARY CHAIN 107 L+ ISO 083	0
80	10037740	COMP.S. PINION Z=36	0

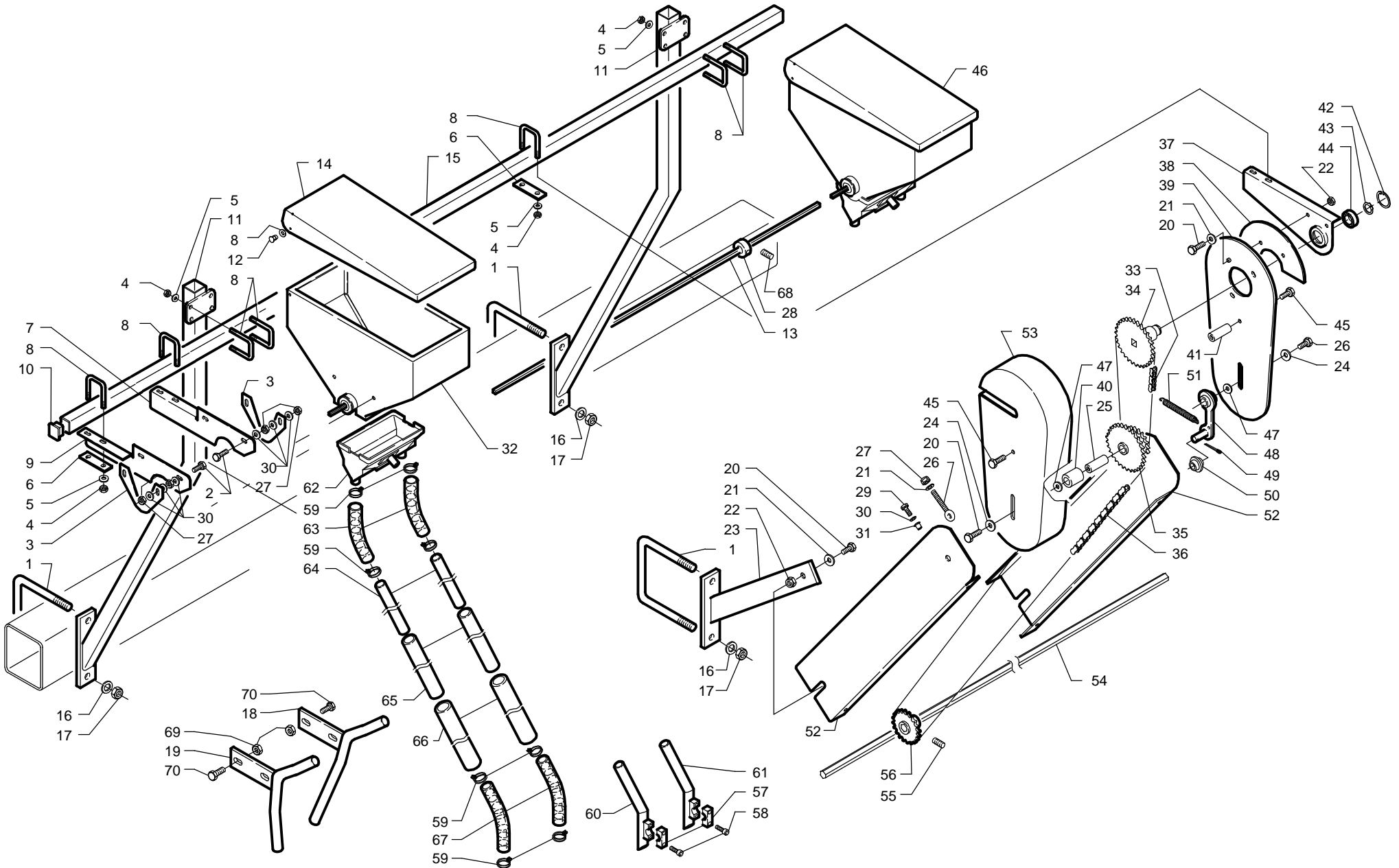
S.N.



S.N.

Pos.	Code	Description	Quantity
81	10011025	SCREW WITH STEADY RESET HEAD M14 D.320A	0
82	023.010	FLAT WASCHER M6=6,3X12X1,6 6592 ZB	0
83	020.011	SCREW TE M6X16 8.8 5739 ZB	0
84	020.049	SCREW TE M 8X40 8.8 5737 ZB	0
85	020.061	SCREW TE M 8X90 8.8 5737 ZB	0
86	021.003	NUT E 6S M 8 5588 ZB	0

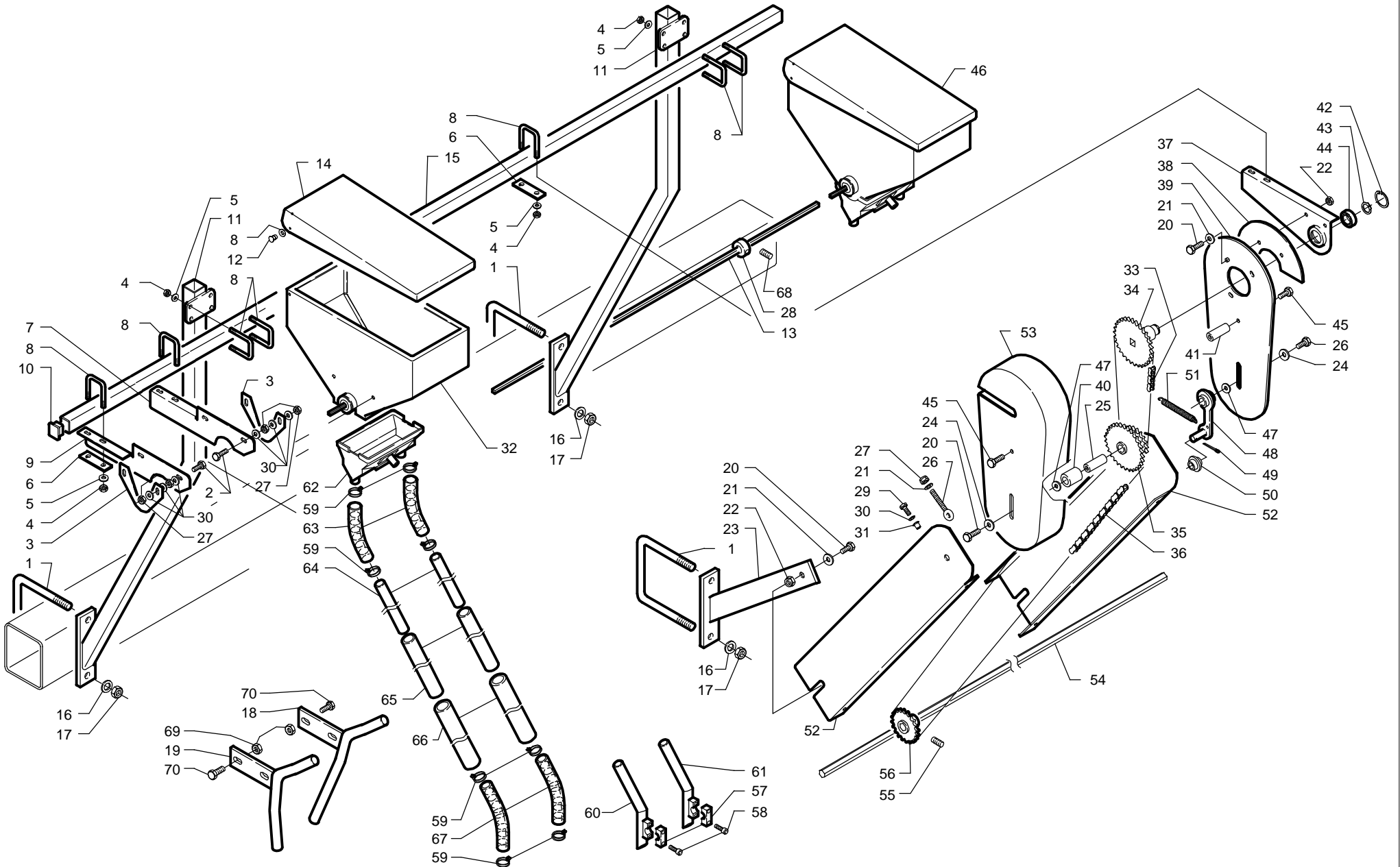
S.N.



S.N.

Pos.	Code	Description	Quantity
1	10000250	U-BOLT M14 ZB	0
2	020.052	SCREW TE M 8X25 8.8 5739 ZB	0
3	10018524	SUPPORT SUSPENDER MICRO ZB	0
4	021.027	NUT E 6S M 6 5587 ZB	0
5	023.030	FLAT WASHER M10=10,5X20X2 6592 ZB	0
6	10008260	CHECKING PLATE ZB	0
7	10018520	CONNECTION STIRRUP RH MICRO TANK VER	0
8	10007461	U-BOLT M10 ZB	0
9	10018521	ATTACK BRACKET LEFT TANK MICRO	0
10	096.140	PIPE CAP 40X40 (COLORE NERO)	0
11	30008510	COMP.S. ASS. MICRO CONNECTION	0
12	029.001	TEAR RIVET UNI9200-A-4-9-P-ALMG5	0
13	10018544		0
13	10018546		0
13	10018548	BAR 10X10 L=1800 ZB	0
13	10018550	BAR 10X10 L02100 ZB	0
13	10018552		0
13	10018554	BAR 10X10 L=3000 ZB	0
13	10018556	ROD 10X10 L=3300 ZB	0
13	10018558		0
14	10018452	TANK COVER MICROGR. INOX 12DCM	0
15	10008530		0
15	10008532		0
15	10008534	MICRO TUBE SUPPORT L03000	0
15	10008535		0
15	10008540	PIPE SUPPORT FOR MICRO L=3800 VER	0
15	10008545		0
16	023.035	FLAT WASHER M14=15 X28X2,5 6592 ZB	0
17	021.120	SELFBLOCKING NUT M 14 7473 ZB	0
18	30031193	COMP.S. TUBE FOR MICRO FALLIGN LEFT ZB	0
19	30031192	COMP.S. TUBE FOR MICRO FALLING RIGHT ZB	0
20	020.051	SCREW TE M 8X20 8.8 5739 ZB	0
21	023.020	FLAT WASCHER M 8=8,4X16X1,6 6592 ZB	0
22	021.102	SELFBLOCKING NUT M 8 7474 ZB	0
23	10028238		0
24	023.019	FLAT WASCHER M8=9X32X2,5 6593 ZB	0
25	10028227	RIM SUPPORT SHAFT RINV. ZB	0
26	022.130	TIE-ROD M8 L=60 6058 ZB	0
27	021.003	NUT E 6S M 8 5588 ZB	0
28	10018536	RING NUT FOR FIXING ARM D.25X14X10 ZB	0

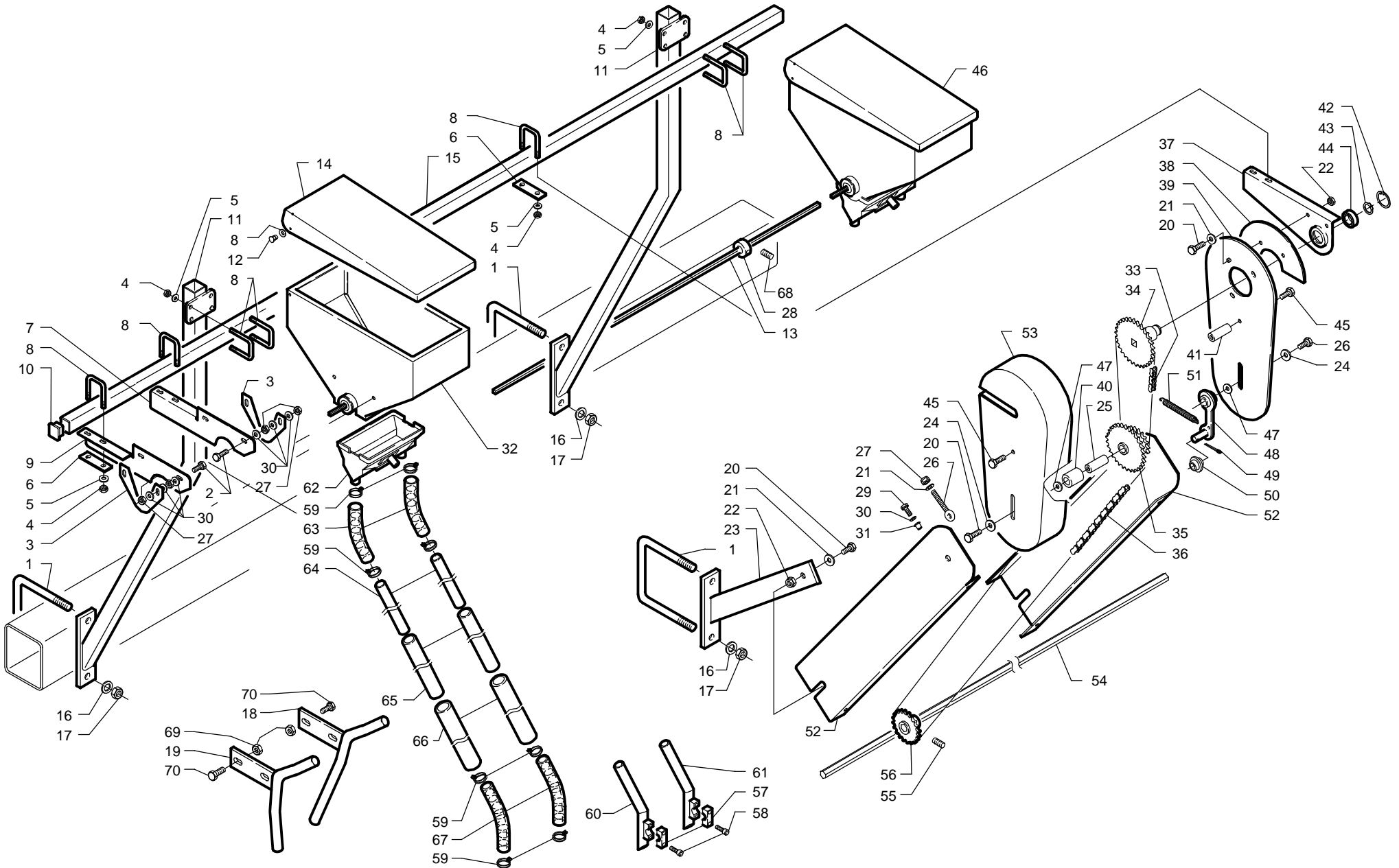
S.N.



S.N.

Pos.	Code	Description	Quantity
29	020.011	SCREW TE M6X16 8.8 5739 ZB	0
30	023.010	FLAT WASCHER M6=6,3X12X1,6 6592 ZB	0
31	023.860		0
32	10018451	MICROGRANULATOR TANK INOX 12DCM	0
33	10028228	CHAIN 1/2"X5/16"69 MAGLIE+JOINT	0
34	10018245	UPPER PINION SET ZB	0
35	10028217	RETURN. RIM. 1/2"- 5/16 Z=12 Z=30 I45ZB	0
35	10028218	RETURN.RIM1/2"X5/16"Z=20Z=30I.75ZB	0
36	10028216	CHAIN 1/2"X5/16"179 MAGLIE + JOINT	0
37	10008241	COMP.S. TRASM. SUPPORT SUP. VER	0
38	10028231	CHAIN PROTECTION STEADY REST VER	0
39	10028237	MICRO RETURN SUPPORT SHEET VER	0
40	10001009	SINTERED BUSHING	0
41	10028222	CASE SUPPORT COLUMN ZB	0
42	028.010	SEEGER RING I D. 55 7437/472	0
43	028.112	SEEGER RING E D. 35 7435/471	0
44	050.102		0
45	020.009	SCREW TE M6X12 8.8 5739 ZB	0
46	10018450	MICROGRANULATOR MICROVOLUMEX INOX 12DMC	0
46	10018460	MICROGRANULATOR MOCROVOLUMEX 27L	0
47	023.070	M18 ISO 7089 ZB FLAT WASHER	0
48	10028233	COMP.S. CHAIN TIGHTENER MICRO ZB	0
49	024.209	COVER D. 2.5X25 ZB 1336	0
50	096925	CHAIN TIGHTENER ROLL NYLON	0
51	056.100	DRIVE SPRING (2X15X75) ZB	0
52	10028220	LOWER CARTER CHAIN MICROGRANULATOR	0
53	10028230	MICRO RETURN CASE VER	0
54	10002318	TRASMISSION HEXAGON 1800 ZB	0
54	10002320	TRASMISSION HEXAGON 2000 ZB	0
54	10002325	TRASMISSION HEXAGON 2500 ZB	0
54	10002331	TRASMISSION HEXAGON 3190 ZB	0
54	10002332	TRASMISSION HEXAGON 3250 ZB	0
54	10002335	TRASMISSION HEZAGON 3500 ZB	0
54	10002340	TRASMISSION HEXAGON 4000 ZB	0
54	10002342	TRASMISSION HEXAGON 4200 ZB	0
54	10002355	TRASMISSION HEXAGON 5500 ZB	0
55	026.107	GRAIN CE 12.9 M8X12 5923 ZB	0
56	10017250	COMP.S. PINION INF. ZB Z=12 1/2X5/16	0
57	10008496	UPPER BLOCK ZB	0
58	020.971	SCREW TCI M 6X20 4.8 6107 ZB	0

S.N.



S.N.

Pos.	Code	Description	Quantity
59	025.001	SERFLEX CLAMP D.14-24	0
60	10008493	COMP.S. ASSIEME LEFT PIPE	0
61	10008492	COMP.S. ASSIEME RIGHT PIPE	0
62	10018453	DISTRIBUTOR MICROGRAN.MICORVOLUMEX	0
63	10028325	TUBE LACED DI.16 L=320	0
64	10028326	RIGID TUBE TEL D.25X1 I=500	0
65	10028327	RIGID TUBE TEL.D.20X1 L=500	0
66	10028312	RIGID TUBE TEL. D.16X1 L=490	0
67	10028314	SPIRAL TUBE DI.18 L=440	0
67	10028329	SPIRAL TUBE DI.18 L=260	0
68	026.104	GRAIN CE 12.9 M 6X20 5927	0
69	021.114	SELFBLOCKING NUT M 8 7473 ZB	0
70	020.060	SCREW TE M 8X70 8.8 5737 ZB	0

S.N.



MASCAR S.p.A.

Via Roma, 82 - 36040 Grumolo della Abbadesse (Vicenza) Italy

Tel +39 0444 380180 - Fax +39 0444 583831 - 380185

E-mail : info@mascar.it